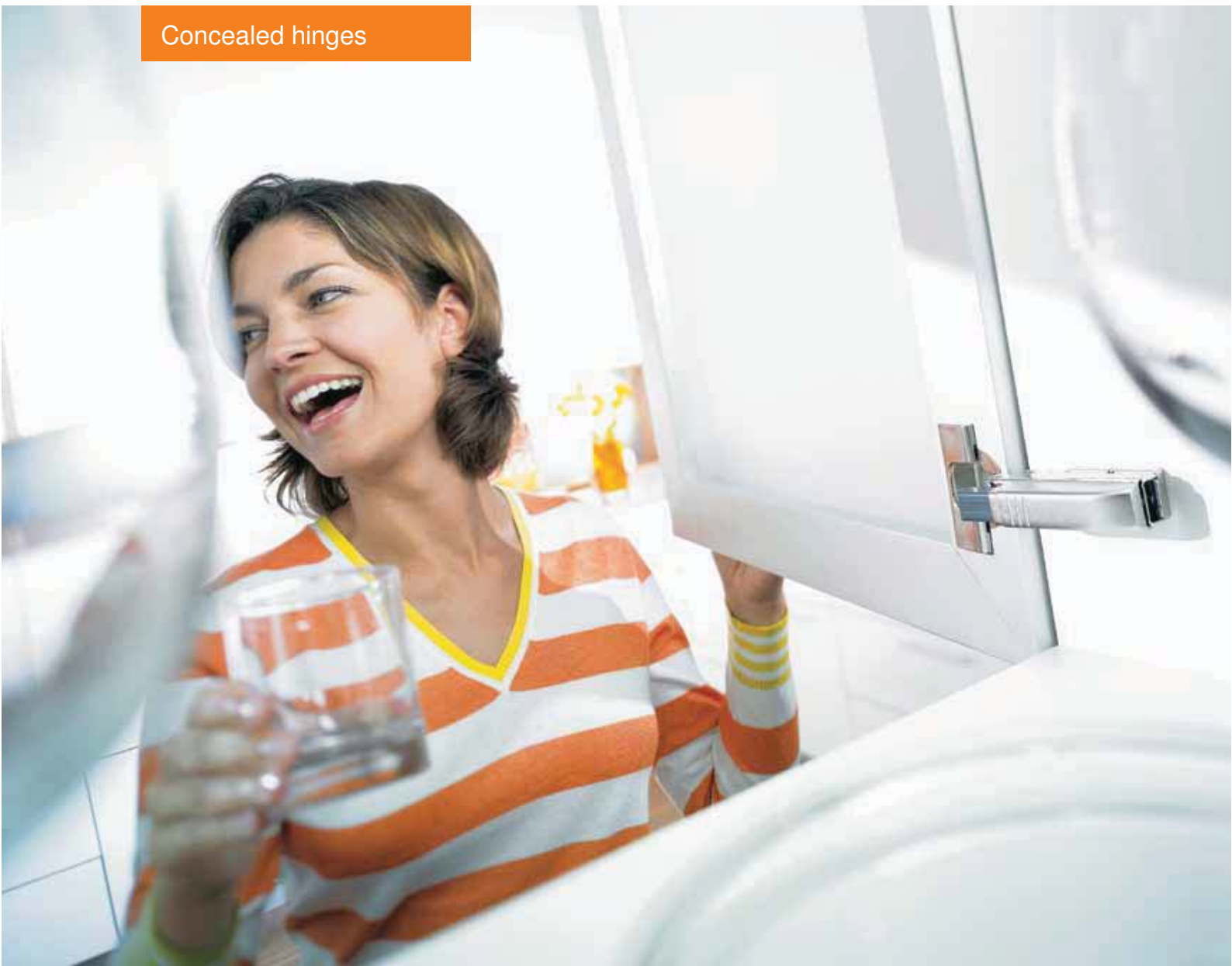


Concealed hinges



Concealed hinges

Function and design for perfecting motion

blum.com

Perfecting motion  **blum**[®]

Elegant design and superior function

Blum hinges are designed to address the needs of today's kitchen. Our hinges offer solutions for virtually any application. In combination with BLUMOTION, our hinges close doors silent and effortlessly.



Contents

6	CLIP top and CLIP hinges
36	Angled hinges
48	CLIP mounting plates
52	BLUMOTION for doors — CLIP top
62	COMPACT hinges
71	BLUMOTION for doors — COMPACT
72	Accessories
74	Assembly aids
80	Part number index

Quick reference

Hinge cup centerpoint

C = cup centerpoint					
20.5	21.5	22.5	23.5	24.5	25.5
13/16"	27/32"	7/8"	15/16"	31/32"	1"
3	4	5	6	7	8

B = bore distance

Hinges per door

This chart can serve as a guide for determining the number of hinges per door. Note that door weight can also determine the number of hinges required.

NOTE: The distance between the top and bottom hinges must be greater than the width of the door

Hinge abbreviation key

B	=	Boring distance
H	=	Plate height
P	=	Door protrusion
R	=	Reveal
S	=	Side arm protrusion
T	=	Door thickness
W	=	Side panel width
FD	=	Fixed distance

Conversion chart

mm	inch	
1	1/32	.031
1.5	1/16	.063
2	3/32	.094
3	1/8	.125
4	5/32	.156
5	3/16	.188
5.5	7/32	.219
6	1/4	.25
7	9/32	.281
8	5/16	.313
9	11/32	.344
9.5	3/8	.375
10	13/32	.406
11	7/16	.438
12	15/32	.469
13	1/2	.5
13.5	17/32	.531
14	9/16	.563
15	19/32	.594
16	5/8	.625
17	21/32	.656
17.5	11/16	.688
18	23/32	.719
19	3/4	.75
20	25/32	.781
20.5	13/16	.813
21	27/32	.844
22	7/8	.875
23	29/32	.906
24	15/16	.938
24.5	31/32	.969
25.4	1	1

Fixed distance (FD)

The distance that the cup overlays the cabinet side panel when a hinge is attached to a 0 mm mounting plate.
 This is used to calculate hinge overlay with the formula **X + B minus H = overlay**
 (Fixed distance + boring distance minus plate height = overlay)

Beautiful hinges inside



CLIP top and CLIP hinge series



Hinges for special applications



COMPACT hinges



and out



Perfecting motion for cabinet doors

The comprehensive Blum hinge program has the right solution for every application. All products are designed to be of the highest quality and function, durable and easy to assemble. With an attractive design, Blum hinges prove that even the inside of cabinets can be attractive and eye catching.



Assembly

Blum hinges are characterized by their easy installation. Both CLIP top and CLIP are equipped with the proven CLIP technology enabling the tool-free attachment and removal of doors.



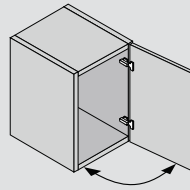
All Blum hinges meet or exceed ANSI/BHMA A156.9-2001 grade 2 requirements. All concealed hinges are designed for indoor use.

Cycle test



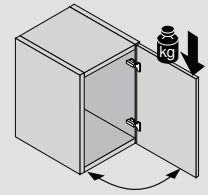
Without load

- 200,000 opening and closing cycles for Euro hinges
- 100,000 opening and closing for CLIP mini and all COMPACT hinges



With load

- 11 lb extra weight is applied for 100,000 opening and closing cycles

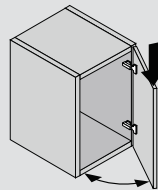


Load test



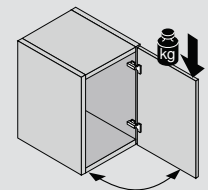
Static load

- 67 lb applied ten times for five seconds, each at 45° opening angle



Dynamic load

- 44 lb extra weight applied for fifty opening and closing cycles

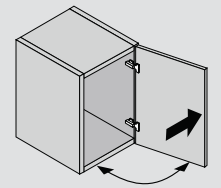


Over push test



Without load

- Euro hinges — Increasing forces up to 33 lb applied for a total of forty times for five seconds each
- COMPACT hinges — Increasing forces up to 11 lb applied for a total of five times for five seconds each



General information

All Blum hardware undergoes strict quality control procedures through all stages of production. Blum hardware is designed for cabinets and cabinet components made from wood, melamine or MDF. Careful attention must be paid to installation and operating instructions when using Blum hardware (see catalogs and instruction sheets for all technical information). The manufacturer must decide on the screws or attachment methods to suit the material being used (i.e. wood, melamine, etc.). The hardware must not be exposed to acidic or corrosive materials (i.e. some household cleaning solutions). To ensure that Blum hardware functions correctly, it must be kept clean and undamaged. For any additional information please contact your Blum representative. Anyone selling Blum hardware must ensure that their customer is aware of any relevant information given in this catalog.

Conditions of sale and delivery

All deliveries and services are based on the "general conditions of sale" which are available upon request. The technical presentations and dimensions in illustrations are non-binding. We reserve the right to make changes to specifications at any time. We do not accept any responsibility for any errors which may occur in the production of this catalog.



Euro hinges for every application

CLIP top — Blum's premium Euro hinge with exclusive Spiral Tech depth adjustment

CLIP — The industry standard for tool-free attachment since 1985

- Audible "CLIP" sound confirms the secure connection between hinge and plate
- BLUMOTION soft close available
- Available with INSERTA tool-free attachment and removal
- Mounting plates for face frame and panel cabinets
- Three-dimensional adjustments for precise door alignment
- A complete angled hinge program
- Special hinges available for thick, aluminum and glass doors
- Nickel-plated steel construction
- CLIP top BLUMOTION with integrated soft close is also available



Hinge planning tools

Blum has downloadable Excel® spreadsheets that help determine the hinge that is right for your application. Available at blum.com/us/planning



CLIP top and CLIP hinges



INSERTA tool-free assembly

Blum offers tool-free attachment of hinge to door and plate to cabinet with INSERTA hinges and mounting plates.

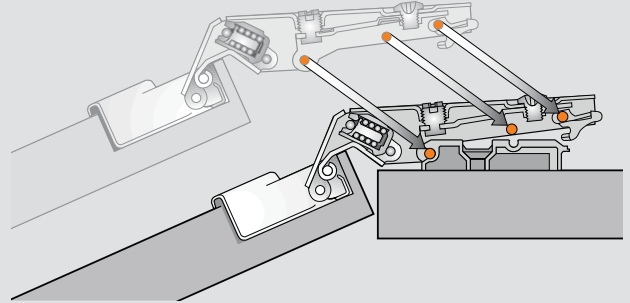


Time proven CLIP technology

For 25 years, CLIP hinges have been preferred, throughout the world, by companies whose reputation relies on dependable door function.

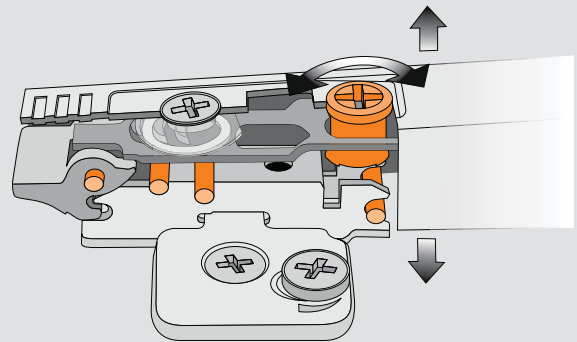
Blum three-point contact

CLIP top and CLIP hinges have three-point contact between the hinge and mounting plate to keep them firmly connected under heavy usage.



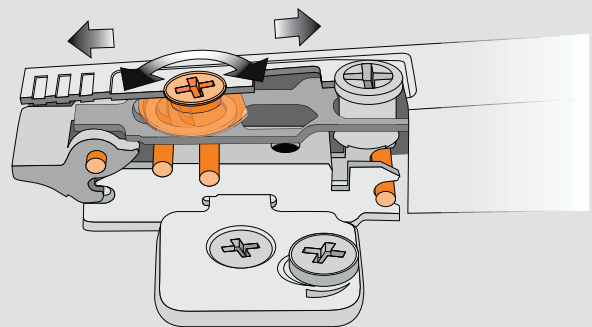
Side adjustment

Blum's side adjustment is a flush screw head that allows 4 mm of adjustment. It also has an integral stop that prevents removal.



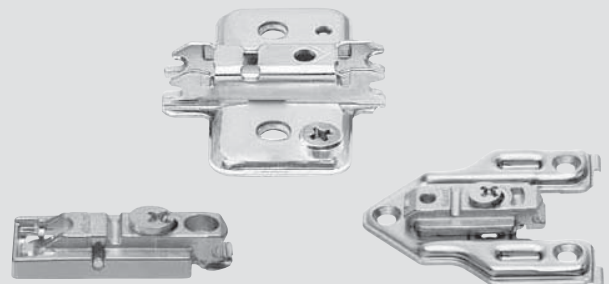
Spiral Tech depth adjustment

With Blum's Spiral Tech depth adjustment, just one and three quarter revolutions of the screw, creates 5 mm of adjustment without loosening and retightening a fixing screw.



Wide variety of mounting plates

Blum has mounting plates for every application, from wing plates with pre-attached screws or dowels, cam height adjustable face frame adapters, to sleek in-line mounting plates.



Program overview — Euro hinges

CLIP top hinges	Applications			
107° hinge		■ 107° opening angle		page 13
110° hinge		■ 110° opening angle		
		Standard applications	page 14	Special applications
		page 15		
120° hinge		■ 120° opening angle		
		Standard applications	page 16	Special applications
		page 17		
170° hinge		■ 170° opening angle		
		Standard applications	page 18	Special applications
		page 19		
95° Thick door hinge		■ 95° opening angle		page 20
155° zero protrusion hinge		■ 155° opening angle		
		Standard applications	page 21	Special applications
		page 22		
Aluminum door hinge		■ 120° opening angle		page 24
Blind corner hinge		■ 95° opening angle		page 26
Diagonal 45° hinge		■ 110° opening angle		page 28
Mini hinge		■ 95° opening angle		page 29
Glass door hinge		■ 95° opening angle		page 30
Bi-fold hinge		■ 60° opening angle		page 31
Angled hinges		■ Angled hinges from +45° to -45°		page 36
CLIP hinges	Applications			
100° hinge		■ 100° opening angle		page 32
107° hinge		■ 107° opening angle		page 33
CLIP mounting plates		page 48	BLUMOTION for doors	
			page 52	Accessories
				page 34

Using this section



Blum's concealed hinge brochure makes it easy to use our Euro hinges. Each page shows information for both face frame and panel applications. The top row shows the hinge in a face frame cabinet and the center row shows it in a panel cabinet. The bottom holds the overlay/reveal tables and hinge part numbers.

Minimum reveal

To determine the minimum reveal, use the table in the upper right hand corner of each page

Face frame construction

To use Euro hinges in a face frame cabinet use the top row.

Panel construction

To use Euro hinges in a panel cabinet use the center row.

Overlay and reveal tables

To determine the overlay and reveals, use the tables at the bottom of each column.

Select hinge

Select the appropriate hinge from the bottom of each column. Screw-on, press-in, EXPANDO and INSERTA are available for most hinges.

Features

- 107° opening angle
- Three-dimensional adjustment
- Available with INSERTA tool-free attachment
- 86° angle restriction clip available (74.1103)
- All metal hinge, nickel-plated

Minimum reveal table					
3	0.6	1.0	1.3	1.7	2.5
4	0.6	1.0	1.3	1.6	2.4
5	0.6	1.0	1.2	1.5	2.2
6	0.6	1.0	1.2	1.4	2.0
B =	16	18	19	20	22
B = boring dist. T = door thickness					

Thickness greater than 22 trial app. recommended

Overlay

Partial/twin overlay

Inset

Panel

Panel

Panel

H	Overlay	P	S
0	14 15 16 17 10 21		
3	11 12 13 14 13 24		
4.5	9.5 10.5 11.5 12.5 14.5 25.5		
6	8 9 10 11 16 27		
9	5 6 7 8 19 30		
	3 4 5 6 Fixed distance = 11		
	B = boring distance		

NOTE: 4.5 plate is only for use in face frame cabinets, 9 plate is only for panel cabinets

H	Overlay	P	S
0	4.5 5.5 6.5 7.5 20 31		
3	4 5 6 Fixed distance = 1.5		
	B = boring distance		

H	Reveal	P	S
0	4 3 2 1 29 40		
	3 4 5 6 Fixed distance = 7		
	B = boring distance		

H	Reveal	W	P	S
0	7 5 3 1 16			
10	8 6 4 19 20 31			
13	11 9 7 22			
	3 4 5 6			
	B = boring distance			

Abbreviations

H = Plate height
P = Door protrusion
S = Side arm protrusion
T = Door thickness
W = Side panel width

Straight-arm	Self close	Free swing	Half-cranked	Self close	Full-cranked	Self close
Screw-on	75T1550	74T1550.TL	Screw-on	75T1650	Screw-on	75T1750
Press-in	75T1580	74T1580.TL	Press-in	75T1680	Press-in	75T1780
INSERTA	75T1590B	74T1590B.TL	INSERTA	75T1690B	INSERTA	75T1790B

CLIP top/CLIP

Step-by-step — the following example is based on a panel cabinet with an overlay

Step 1 — Determine cabinet construction

Face frame

Panel

Step 2 — Determine the overlay or reveal

Overlay

Partial/twin overlay

Inset

Step 3 — Find boring distance and mounting plate height

Based on your overlay use the table to determine the mounting plate height and boring distance needed.

H	Overlay	P	S
0	14 15 16 17 10 21	10	21
3	11 12 13 14 13 24	13	24
4.5	9.5 10.5 11.5 12.5 14.5 25.5	14.5	25.5
6	8 9 10 11 16 27	16	27
9	5 6 7 8 19 30	19	30
	3 4 5 6 Fixed distance = 11		
	B = boring distance		

NOTE: 4.5 plate is only for use in face frame cabinets, 9 plate is only for panel cabinets

Step 4 — Check minimum reveal table

All minimum reveal tables are based on square edge door with a 1 mm radius. A larger radius or profile door will change the minimum reveal required.

Minimum reveal table					
3	0.6	1.0	1.3	1.7	2.5
4	0.6	1.0	1.3	1.6	2.4
5	0.6	1.0	1.2	1.5	2.2
6	0.6	1.0	1.2	1.4	2.0
B =	16	18	19	20	22
B = boring dist. T = door thickness					

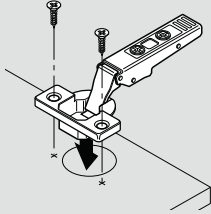
Trail application recommended

General specifications

Hinge-to-door attachment

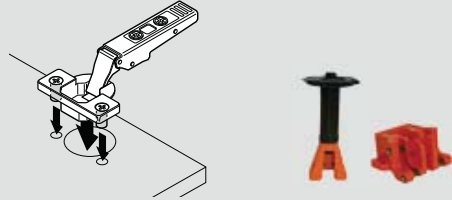
Screw-on

Use #6 wood screws



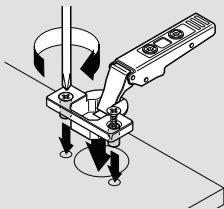
Press-in

Pre-attached Ø8 mm dowels installed with Blum knock-in tool or MINIPRESS with universal insertion ram



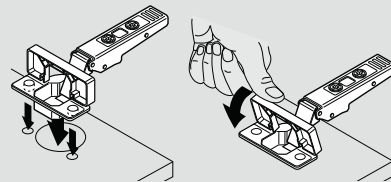
EXPANDO

Pre-attached Ø8 mm expanding dowels



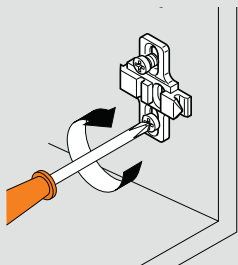
INSERTA

Tool-free attachment (cup expands into Ø35 mm hole)

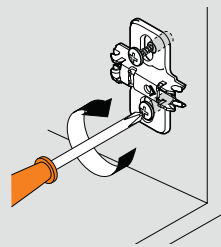


Mounting plate-to-cabinet

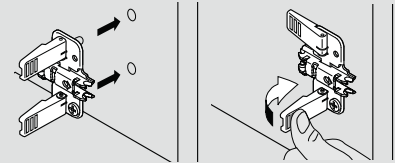
Screw-on



EXPANDO



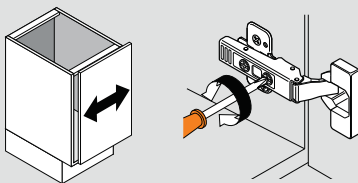
INSERTA



Three-dimensional adjustment

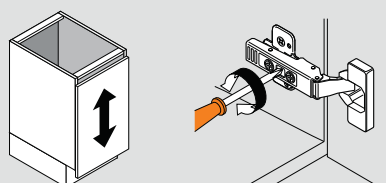
Side adjustment

Rotate front screw to increase or decrease door overlay +/- 2 mm.



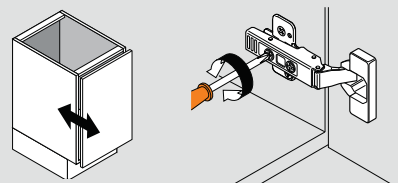
Height adjustment

Rotate cam screw on mounting plate to adjust door position (+/- 2 mm). On non-cam mounting plates, loosen screws, adjust door and retighten screws.



Depth adjustment

Rotate rear Spiral Tech cam screw to adjust door position (+3 mm, -2 mm). For CLIP hinges, loosen rear screws, adjust door and retighten screws.



CLIP top 107° hinges



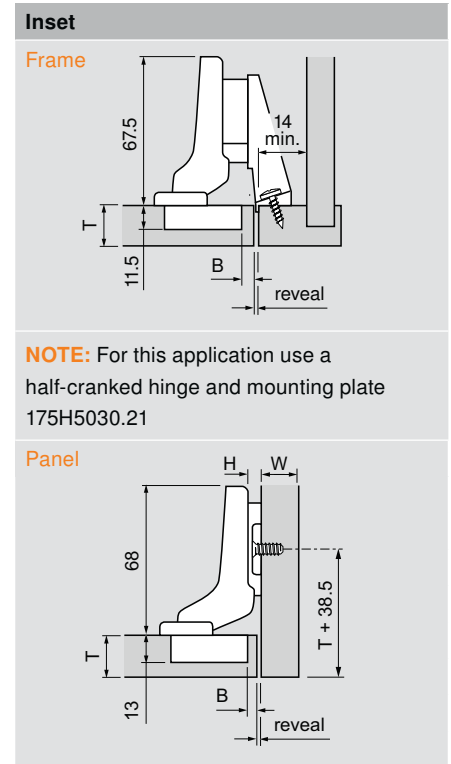
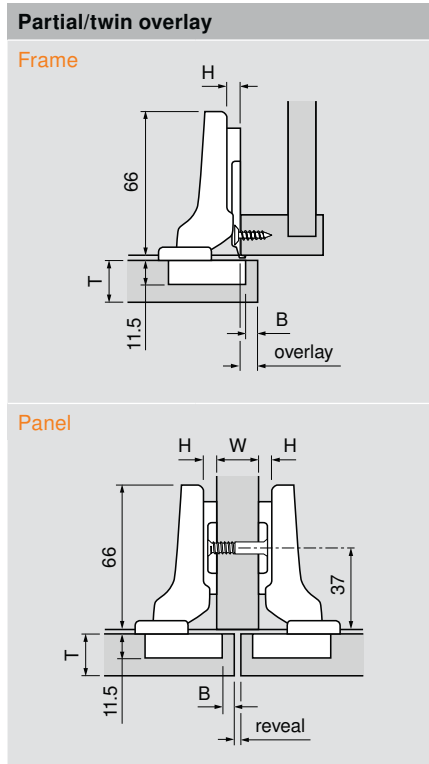
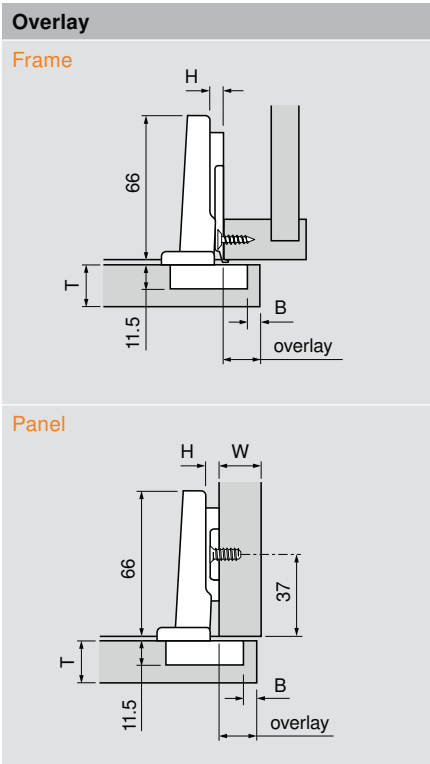
Features

- 107° opening angle
- Three-dimensional adjustment
- Available with INSERTA tool-free attachment
- 86° angle restriction clip available (74.1103)
- All metal hinge, nickel-plated

Minimum reveal table					
3	0.6	1.0	1.3	1.7	2.5
4	0.6	1.0	1.3	1.6	2.4
5	0.6	1.0	1.2	1.5	2.2
6	0.6	1.0	1.2	1.4	2.0
B = boring dist.	16	18	19	20	22
T = door thickness					

Thickness greater than 22 trial app. recommended

CLIP top/CLIP



NOTE: For this application use a half-cranked hinge and mounting plate 175H5030.21

H	Overlay				P	S
0	14	15	16	17	10	21
3	11	12	13	14	13	24
4.5	9.5	10.5	11.5	12.5	14.5	25.5
6	8	9	10	11	16	27
9	5	6	7	8	19	30
	3	4	5	6	Fixed distance = 11	
	B = boring distance					

NOTE: 4.5 plate is only for use in face frame cabinets, 9 plate is only for panel cabinets

H	Overlay				P	S
0	4.5	5.5	6.5	7.5	20	31
	3	4	5	6	Fixed distance = 1.5	
	B = boring distance					

H	Reveal				W	P	S
0	7	5	3	1	16		
	10	8	6	4	19	20	31
	13	11	9	7	22		
	3	4	5	6			
	B = boring distance						

H	Reveal				P	S
0	4	3	2	1	29	40
	3	4	5	6	Fixed distance = -7	
	B = boring distance					

Abbreviations

H	= Plate height
P	= Door protrusion
S	= Side arm protrusion
T	= Door thickness
W	= Side panel width

Straight-arm	Self close	Free swing
Screw-on	75T1550	74T1550.TL
Press-in	75T1580	74T1580.TL
INSERTA	75T1590B	

Half-cranked	Self close
Screw-on	75T1650
Press-in	75T1680
INSERTA	75T1690B

Full-cranked	Self close
Screw-on	75T1750
Press-in	75T1780
INSERTA	75T1790B

CLIP top 110° hinges

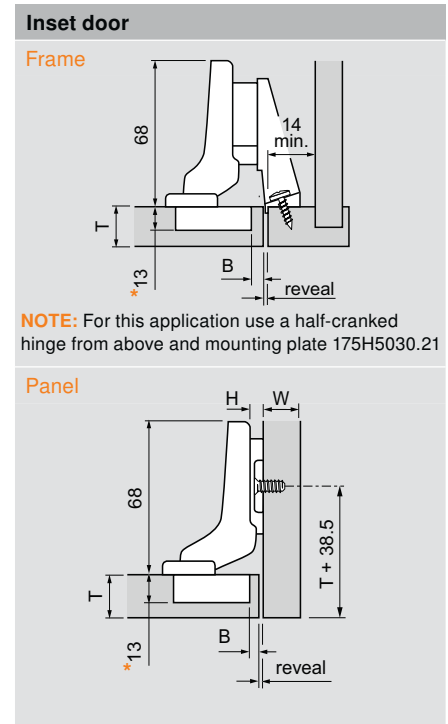
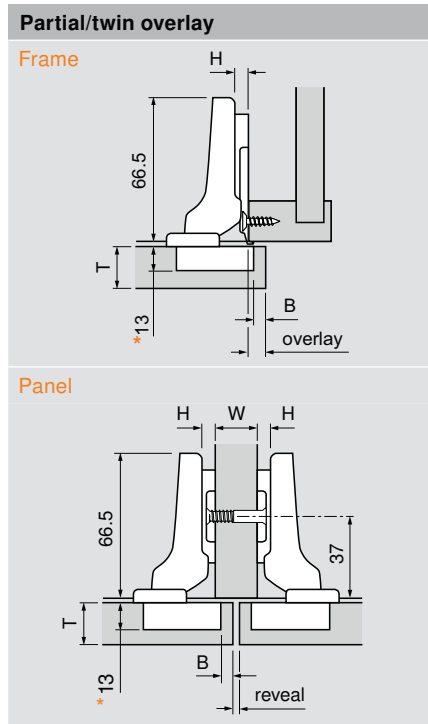
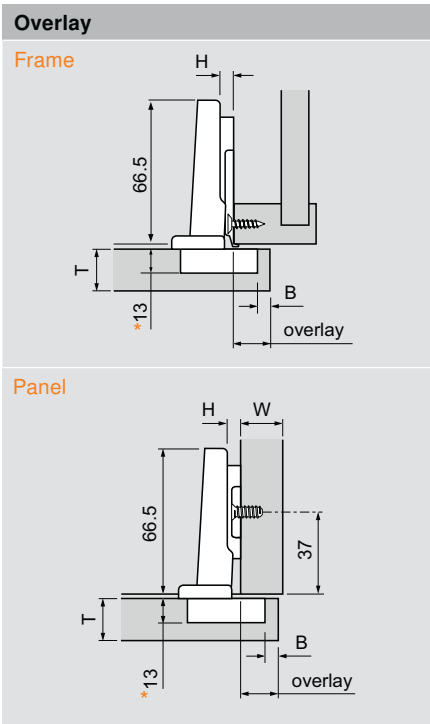


Features

- 110° opening angle
- Three-dimensional adjustment
- New INSERTA design
- 86° angle restriction clip available (70T3553)
- All metal hinge, nickel plated

Minimum reveal table					
3	0.5	1.0	1.8	2.7	4.3
4	0.5	1.0	1.7	2.5	3.8
5	0.5	0.9	1.7	2.4	3.4
6	0.5	0.9	1.6	2.3	3.2
7	0.5	0.9	1.6	2.2	3.0
B = boring dist.	16	19	22	24	26
T = door thickness					

Thickness greater than 26 trial application recommended



NOTE: For this application use a half-cranked hinge from above and mounting plate 175H5030.21

*All 35 mm and 8 mm holes must be a minimum of 13 mm deep

H	Overlay						P	S
0	14	15	16	17	18	12	21.5	
3	11	12	13	14	15	15	24.5	
4.5	9.5	10.5	11.5	12.5	13.5	16.5	26	
6	8	9	10	11	12	18	27.5	
9	5	6	7	8	9	21	30.5	
	3	4	5	6	7	Fixed distance = 11		
B = boring distance								

NOTE: 4.5 plate is only for use in frame cabinets, 9 plate is only for panel cabinets

H	Overlay					P	S
0	4.5	5.5	6.5	7.5	8.5	21.5	31
	3	4	5	6	7	Fixed distance = 1.5	
B = boring distance							

H	Reveal					P	S
0	4	3	2	1	—	30	39.5
	3	4	5	6	7	Fixed distance = -7	
B = boring distance							

H	Reveal					W	P	S
	7	5	3	1	—	16		
0	10	8	6	4	2	19	21.5	31
	13	11	9	7	5	22		
	3	4	5	6	7			
B = boring distance								

Abbreviations

H	=	Plate height
P	=	Door protrusion
S	=	Side arm protrusion
T	=	Door thickness
W	=	Side panel width

Straight-arm	Self close	Free swing
Screw-on	71T3550	70T3550.TL
Press-in	71T3580	70T3580.TL
EXPANDO	71T358E	
INSERTA	71T3590	70T3590.TL

Half-cranked	Self close	Free swing
Screw-on	71T3650	70T3650.TL
Press-in	71T3680	
INSERTA	71T3690	

Full-cranked	Self close	Free swing
Screw-on	71T3750	70T3750.TL
Press-in	71T3780	
INSERTA	71T3790	

CLIP top 110°+ hinges



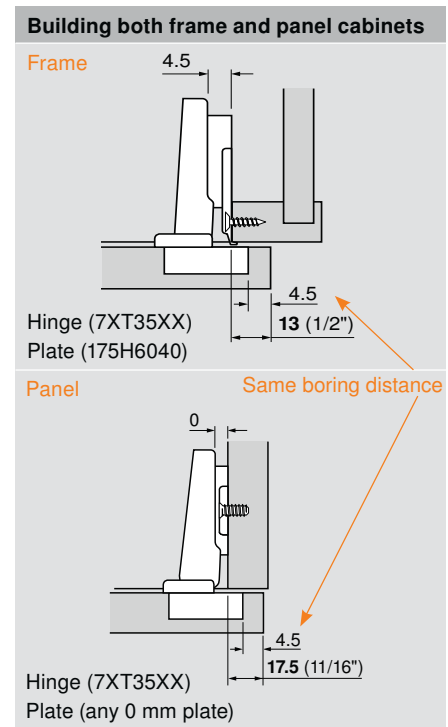
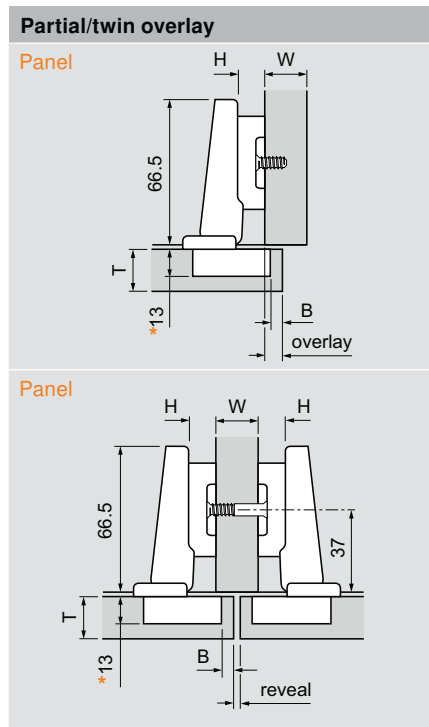
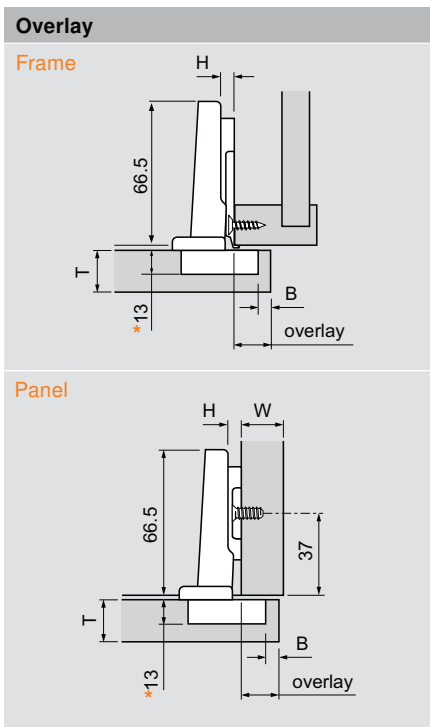
Features

- 110° opening angle
- For door overlays up to 22 mm
- Three-dimensional adjustment
- New INSERTA design
- 86° angle restriction clip available (70T3553)
- All metal hinge, nickel plated

Minimum reveal table					
3	0.5	1.0	1.8	2.7	4.3
4	0.5	1.0	1.7	2.5	3.8
4.5	0.5	1.0	1.7	2.5	3.6
5	0.5	0.9	1.7	2.4	3.4
6	0.5	0.9	1.6	2.3	3.2
7	0.5	0.9	1.6	2.2	3.0
B = boring dist.	16	19	22	24	26
T = door thickness					

Thickness greater than 26 trial application recommended

CLIP top/CLIP



*All 35 mm and 8 mm holes must be a minimum of 13 mm deep

H	Overlay						P	S
0	16	17	17.5	18	19	20	10	20
3	13	14	14.5	15	16	17	13	23
4.5	11.5	12.5	13	13.5	14.5	15.5	14.5	24.5
6	10	11	11.5	12	13	14	16	26
9	7	8	8.5	9	10	11	19	29
	3	4	4.5	5	6	7	Fixed distance = 13	
	B = boring distance							

H	Overlay						P	S
9	7	8	8.5	9	10	11	19	29
	3	4	4.5	5	6	7	Fixed distance = 13	
	B = boring distance							

H	Reveal						W	P	S
	2	—	—	—	—	—	16		
9	5	3	2	—	—	—	19	19	29
	8	6	5	4	—	—	22		
	3	4	4.5	5	6	7			
	B = boring distance								

NOTE: 4.5 plate is only for use in frame cabinets, 9 plate is only for panel cabinets

The most common overlays for frame and panel cabinets can be achieved by using the same machine setting for hinge cup boring.

- Bore all doors at 4.5 mm to achieve:
- 13 (1/2") overlay on frame cabinets
 - 17.5 (11/16") overlay on panel cabinets

- Advantages:**
- One machine setting for boring all doors
 - Same hinge used for both applications

Straight-arm	Self close	Free swing
Screw-on	73T3550	72T3550.TL
Press-in	73T3580	72T3580.TL
EXPANDO	73T358E	
INSERTA	73T3590	72T3590.TL

Straight-arm	Self close	Free swing
Screw-on	73T3550	72T3550.TL
Press-in	73T3580	72T3580.TL
EXPANDO	73T358E	
INSERTA	73T3590	72T3590.TL

Abbreviations	
H	= Plate height
P	= Door protrusion
S	= Side arm protrusion
T	= Door thickness
W	= Side panel width

CLIP top 120° hinges

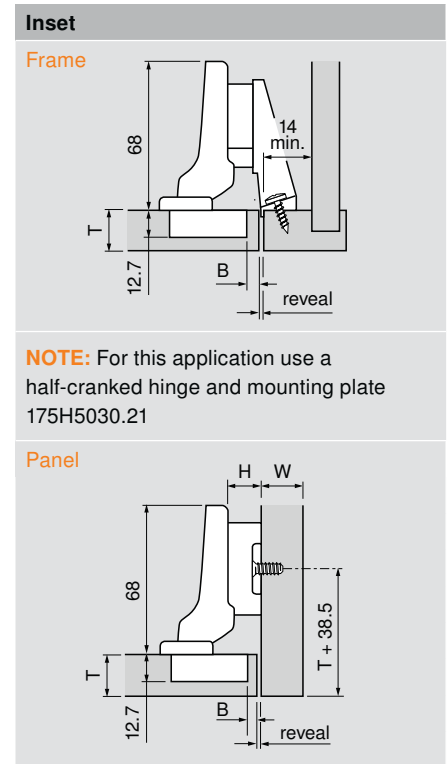
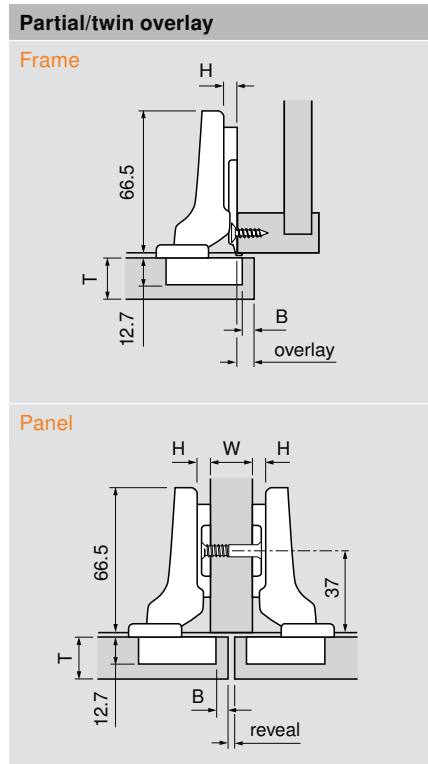
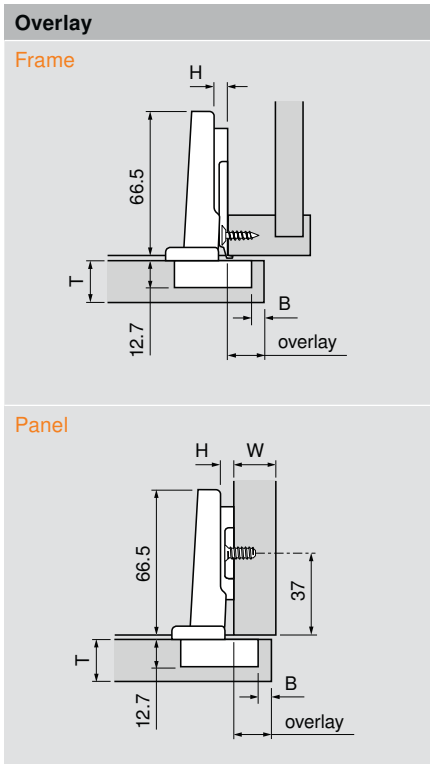


Features

- 120° opening angle
- Three-dimensional adjustment
- Available with INSERTA tool-free attachment
- All metal hinge, nickel-plated

Minimum reveal table					
3	1.2	1.7	2.0	2.4	3.3
4	1.2	1.7	2.0	2.3	3.1
5	1.1	1.6	1.9	2.2	3.0
6	1.1	1.6	1.9	2.2	2.9
B = boring dist.	16	18	19	20	22
T = door thickness					

Thickness greater than 22 trial app. recommended



NOTE: For this application use a half-cranked hinge and mounting plate 175H5030.21

H	Overlay				P	S
0	14	15	16	17	11.5	20.5
3	11	12	13	14	14.5	23.5
4.5	9.5	10.5	11.5	12.5	16	25
6	8	9	10	11	17.5	26.5
9	5	6	7	8	20.5	29.5
	3	4	5	6	Fixed distance = 11	
	B = boring distance					

NOTE: 4.5 plate is only for use in face frame cabinets, 9 plate is only for panel cabinets

Straight-arm	Self close	Free swing
Screw-on	71T5550	70T5550.TL
Press-in	71T5580	70T5580.TL
EXPANDO	71T558E	
INSERTA	71T5590B	70T5590BTL

H	Overlay				P	S
0	4.5	5.5	6.5	7.5	21.5	30
	3	4	5	6	Fixed distance = 1.5	
	B = boring distance					

H	Reveal				W	P	S
0	7	5	3	1	16	21.5	30
	10	8	6	4	19		
	13	11	9	7	22		
	3	4	5	6	B = boring distance		
	B = boring distance						

H	Reveal				P	S
9	4.5	3.5	2.5	1.5	30.5	39
	3	4	5	6	Fixed distance = -7.5	
	B = boring distance					

Abbreviations

H	= Plate height
P	= Door protrusion
S	= Side arm protrusion
T	= Door thickness
W	= Side panel width

Half-cranked	Self close	Free swing
Screw-on	71T5650	70T5650.TL
Press-in	71T5680	70T5680.TL
INSERTA	71T5690B	70T5690BTL

Half-cranked	Self close	Free swing
Screw-on	71T5650	70T5650.TL
Press-in	71T5680	70T5680.TL
INSERTA	71T5690B	70T5690BTL

CLIP top 120°+ hinges



Features

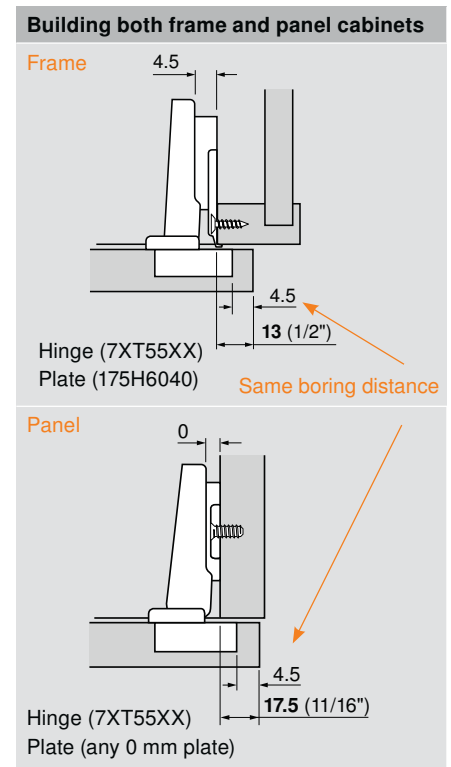
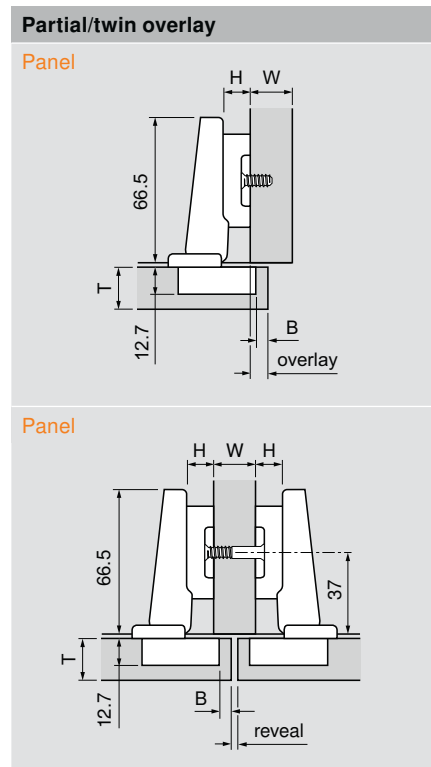
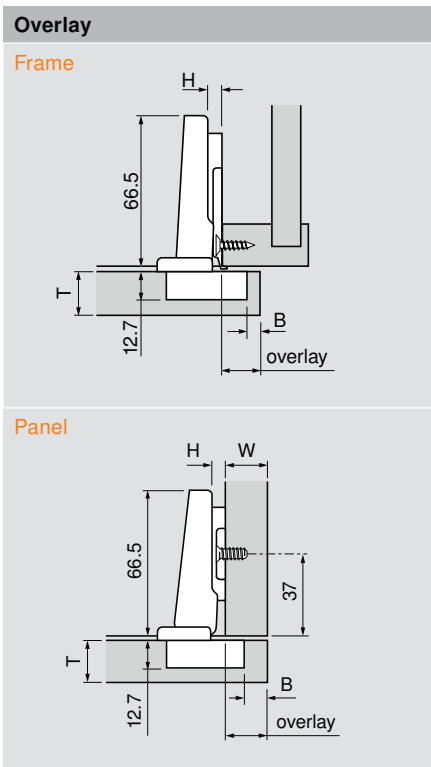
- 120° opening angle
- For larger overlays (21 mm maximum)
- Straight-arm hinges only
- Three-dimensional adjustment
- Available with INSERTA tool-free attachment
- All metal hinge, nickel-plated

Minimum reveal table					
3	1.2	1.7	2.0	2.4	3.3
4	1.2	1.7	2.0	2.3	3.1
4.5	1.1	1.6	1.9	2.2	3.0
5	1.1	1.6	1.9	2.2	3.0
6	1.1	1.6	1.9	2.2	2.9
B = boring dist.	16	18	19	20	22

T = door thickness

Thickness greater than 22 trial app. recommended

CLIP top/CLIP



H	Overlay					P	S
0	16	17	17.5	18	19	12	21.5
3	13	14	14.5	15	16	15	24.5
4.5	11.5	12.5	13	13.5	14.5	16.5	26
6	10	11	11.5	12	13	18	27.5
9	7	8	8.5	9	10	21	30.5
	3	4	4.5	5	6	Fixed distance = 13	
	B = boring distance						

NOTE: 4.5 plate is only for use in frame cabinets, 9 plate is only for panel cabinets

H	Overlay					P	S	
9	7	8	8.5	9	10	18.5	28	
	3	4	4.5	5	6	Fixed distance = 13		
	B = boring distance							
H	Reveal					W	P	S
2	—	—	—	—	16			
9	5	3	2	—	19	18.5	28	
	8	6	5	4	22			
	3	4	4.5	5	6			
	B = boring distance							

The most common overlays for frame and panel cabinets can be achieved by using the same machine setting for hinge cup boring.

- Bore all doors at 4.5 mm to achieve:**
- 13 (1/2") overlay on frame cabinets
 - 17.5 (11/16") overlay on panel cabinets

- Advantages:**
- One machine setting for boring all doors
 - Same hinge used for both applications

Straight-arm	Self close	Free swing
Screw-on	73T5550	
Press-in	73T5580	72T5580.TL
EXPANDO	73T558E	
INSERTA	73T5590B	

Straight-arm	Self close	Free swing
Screw-on	73T5550	
Press-in	73T5580	72T5580.TL
EXPANDO	73T558E	
INSERTA	73T5590B	

Abbreviations

H	=	Plate height
P	=	Door protrusion
S	=	Side arm protrusion
T	=	Door thickness
W	=	Side panel width

CLIP top 170° hinges



Features

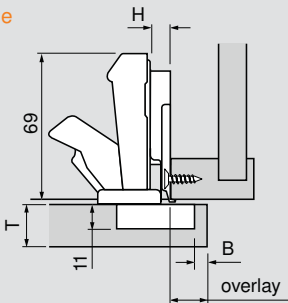
- 170° opening angle
- Three-dimensional adjustment
- Available with INSERTA tool-free attachment
- 130° angle restriction clip available (70.6103)
- All metal hinge, nickel-plated

Minimum reveal table						
3	0	0	0	0	0.2	2.2
4	0	0	0	0	0	1.4
5	0	0	0	0	0	0.9
6	0	0	0	0	0	0
7	0	0	0	0	0	0
8	0	0	0	0	0	0
B = boring dist.	16	18	19	20	22	24
T = door thickness						

Thickness greater than 24 trial app. recommended

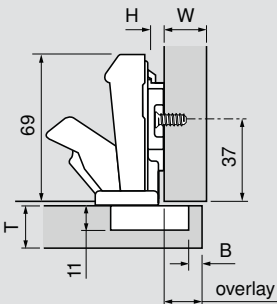
Overlay

Frame



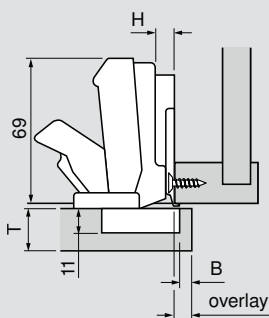
NOTE: 175H6xxx or 175L6600.24 recommended

Panel



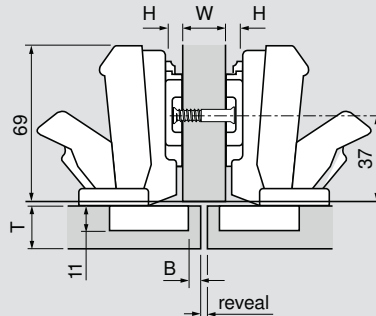
Partial/twin overlay

Frame



NOTE: 175H6xxx or 175L6600.24 recommended

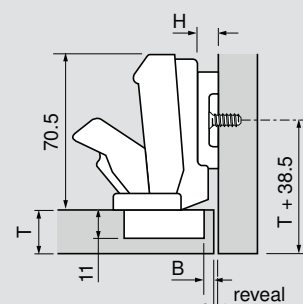
Panel



Inset

Inset application not possible with 170° hinges and the inset face frame adapter (175H5030.21)

Panel



H	Overlay								P	S
0	14	15	16	17	18	19	1.5	65		
3	11	12	13	14	15	16	4.5	68		
4.5	9.5	10.5	11.5	12.5	13.5	14.5	6	69.5		
6	8	9	10	11	12	13	7.5	71		
9	5	6	7	8	9	10	10.5	74		
	3	4	5	6	7	8	Fixed distance = 11			
	B = boring distance									

NOTE: 4.5 plate is only for use in face frame cabinets, 9 plate is only for panel cabinets

H	Overlay							P	S
0	4.5	5.5	6.5	7.5	8.5	9.5	11	75	
	3	4	5	6	7	8	Fixed distance = 1.5		
	B = boring distance								

H	Reveal						W	P	S
0	7	5	3	1	—	—	16		
	10	8	6	4	2	0	19	11	75
	13	11	9	7	5	3	22		
	3	4	5	6	7	8	B = boring distance		

H	Reveal						P	S
9	4.5	3.5	2.5	1.5	0.5	—	20	84
	3	4	5	6	7	8	Fixed distance = -7.5	
	B = boring distance							

Abbreviations

H	= Plate height
P	= Door protrusion
S	= Side arm protrusion
T	= Door thickness
W	= Side panel width

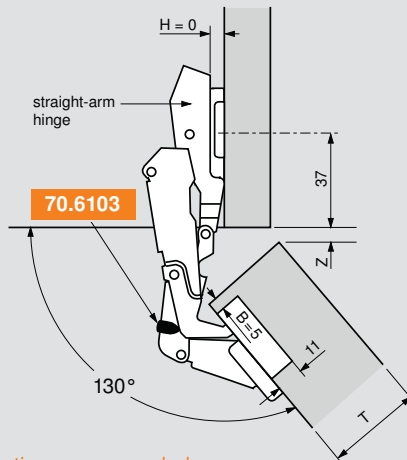
Straight-arm	Self close	Free swing
Screw-on	71T6550	70T6550
Press-in	71T6580	
INSERTA	71T6540B	70T6540B

Half-cranked	Self close	Free swing
Screw-on	71T6650	70T6650
Press-in	71T6680	
INSERTA	71T6640B	

Half-cranked	Self close	Free swing
Screw-on	71T6650	70T6650
Press-in	71T6680	
INSERTA	71T6640B	

Straight arm applications

Thick door application



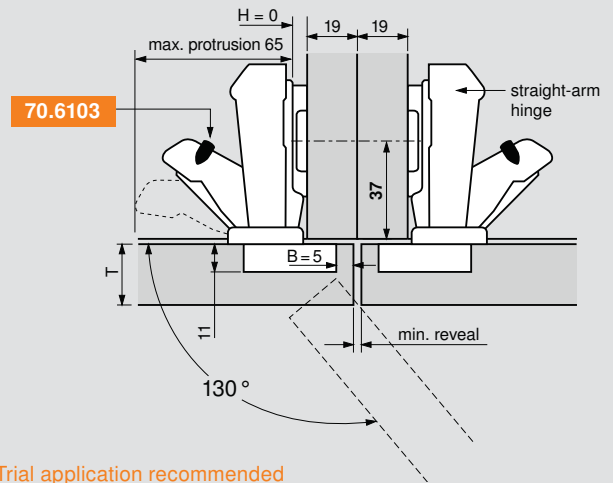
Trial application recommended

Z = gap

15.5	13	11	9.5	7.5
25	29	32	35	38

T = Door thickness

Thick door — twin application



Trial application recommended

Minimum reveal table

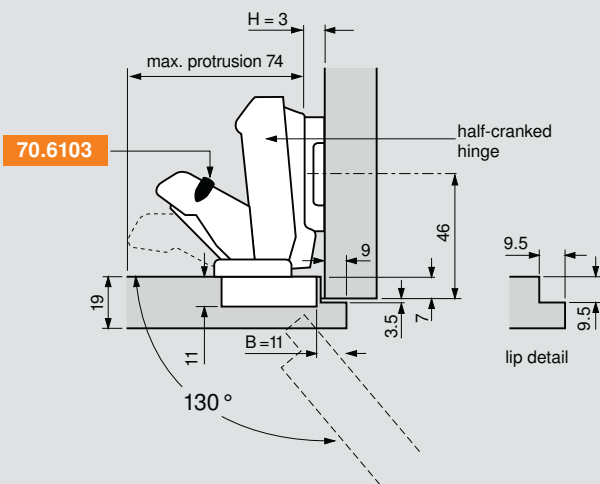
0	6.5	14.5	21
22	25	29	32

T = door thickness

CLIP top/CLIP

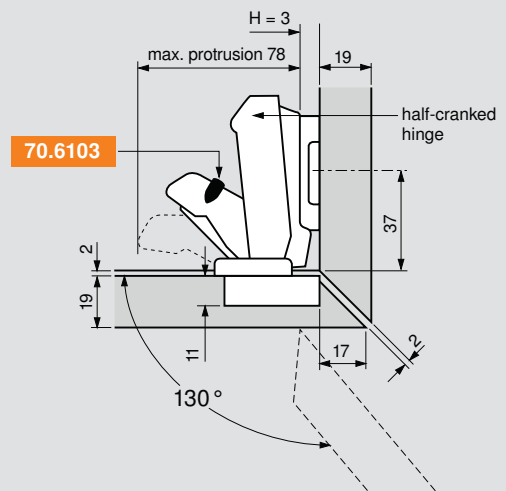
Half-cranked applications

Lip door application



Trial application recommended

Mitered corner door application



Trial application recommended

NOTE: The above applications can be achieved in face frame cabinets by blocking out behind the frame

Angle restriction clip



- Reduces opening angle of the CLIP top 170° to 130°
- Installs quickly and easily tool-free
- Black nylon

Part no.

Angle restriction clip

70.6103

CLIP top 95° thick door hinges

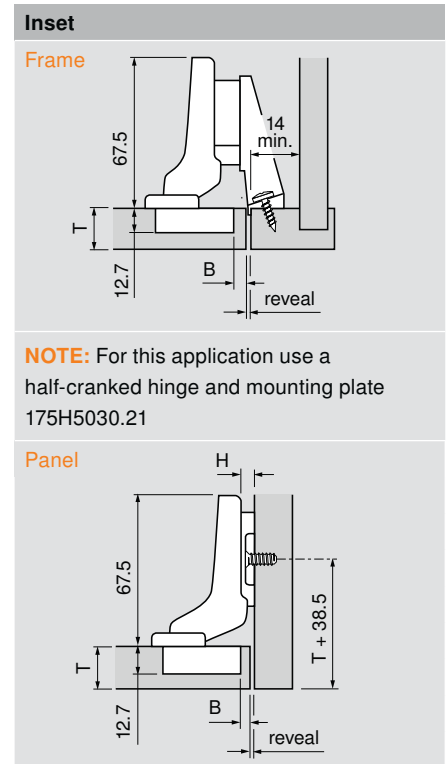
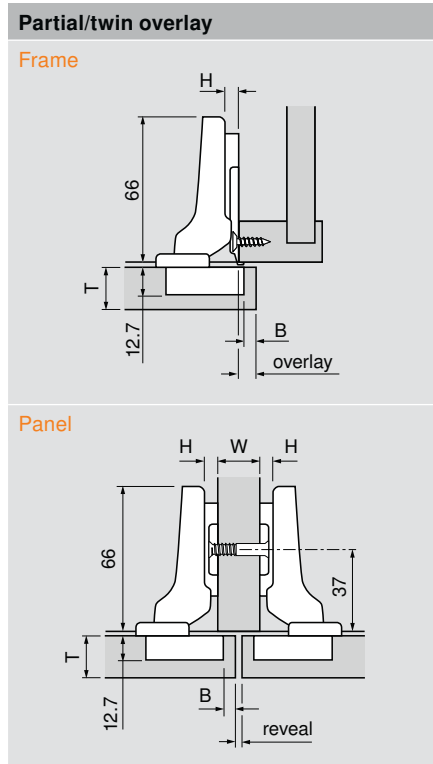
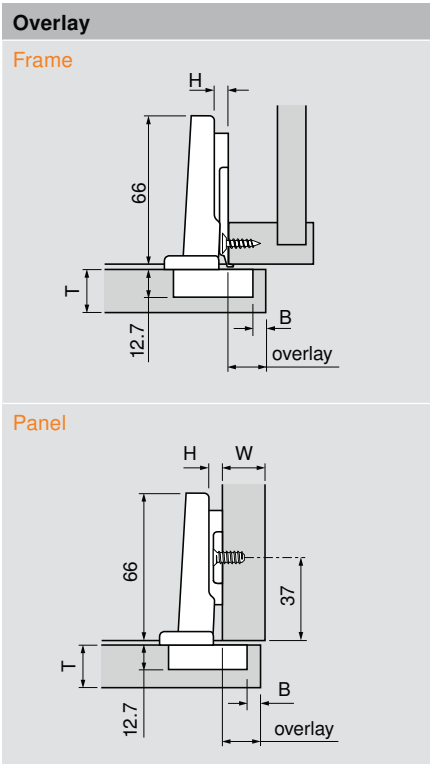


Features

- 95° opening angle
- For door thicknesses up to 30 mm
- Three-dimensional adjustment
- Available with INSERTA tool-free attachment
- All metal hinge, nickel-plated

Minimum reveal table							
3	0.4	0.9	1.3	1.8	2.6	3.1	3.8
4	0.4	0.9	1.3	1.8	2.5	2.9	3.5
5	0.4	0.9	1.3	1.8	2.4	2.8	3.3
6	0.4	0.9	1.3	1.8	2.3	2.7	3.2
7	0.4	0.9	1.2	1.7	2.2	2.6	3.1
B = boring dist.	19	22	24	26	28	29	30
T = door thickness							

Thickness greater than 30 trial app. recommended



NOTE: For this application use a half-cranked hinge and mounting plate 175H5030.21

H	Overlay					P	S
0	14	15	16	17	18	14.5	22
3	11	12	13	14	15	17.5	25
4.5	9.5	10.5	11.5	12.5	13.5	19	26.5
6	8	9	10	11	12	20.5	28
9	5	6	7	8	9	23.5	31
	3	4	5	6	7	Fixed distance = 11	
	B = boring distance						

NOTE: 4.5 plate is only for use in face frame cabinets, 9 plate is only for panel cabinets

H	Overlay					P	S
0	4.5	5.5	6.5	7.5	8.5	24	31
	3	4	5	6	7	Fixed distance = 1.5	
	B = boring distance						

H	Reveal					P	S
0	4	3	2	1	—	32.5	40
	3	4	5	6	7	Fixed distance = -7	
	B = boring distance						

H	Reveal					W	P	S
	7	5	3	1	—	16		
0	10	8	6	4	2	19	24	31
	13	11	9	7	5	22		
	3	4	5	6	7	B = boring distance		
	B = boring distance							

Abbreviations

- H = Plate height
- P = Door protrusion
- S = Side arm protrusion
- T = Door thickness
- W = Side panel width

Straight-arm	Self close	Free swing
Screw-on	71T9550	70T9550.TL
Press-in	71T9580	70T9580.TL
INSERTA	71T9590B	

Half-cranked	Self close	Free swing
Screw-on	71T9650	70T9650.TL
Press-in	71T9680	
INSERTA	71T9690B	

Full-cranked	Self close	Free swing
Screw-on	71T9750	70T9750.TL
Press-in	71T9780	
INSERTA	71T9790B	

CLIP top 155° zero protrusion hinges



Features

- 155° opening angle
- For use in cabinets with interior roll-outs
- Three-dimensional adjustment
- Available with INSERTA tool-free attachment
- 110° angle restriction clip available (70T7503N)
- All metal hinge, nickel-plated

Minimum reveal table						
3	0	0	0	0	0	0
4	0	0	0	0	0	0
5	0	0	0	0	0	0
6	0	0	0	0	0	0
7	0	0	0	0	0	0
8	0	0	0	0	0	0
B = boring dist.	16	18	19	20	22	24

T = door thickness

Thickness greater than 24, please see page 22.

CLIP top/CLIP

Overlay

Frame

Panel

Door protrusion

At 90° opening, using 0 mm plate, the door will have -2.3 mm protrusion regardless of boring distance. Use side adjustment to increase or decrease door protrusion.

NOTE: Use of 0 mm or 3 mm is recommended for zero protrusion

Angle restriction clip

- Reduces opening angle to 110°
- For use with 155° hinges only
- Gray nylon

Part no.
110° restriction clip **70T7503N**

Hinge cup dimensions

*INSERTA

H	Overlay						P	S
0	14	15	16	17	18	19	-2.3	61
3	11	12	13	14	15	16	0.7	64
	3	4	5	6	7	8	Fixed distance = 11	
	B = boring distance							

Straight-arm	Self close
Screw-on	71T7500N
Press-in	71T7530N
INSERTA	71T7540N

Angle restriction clip

- Reduces opening angle to 92°
- For use with 155° hinges only
- Gray nylon

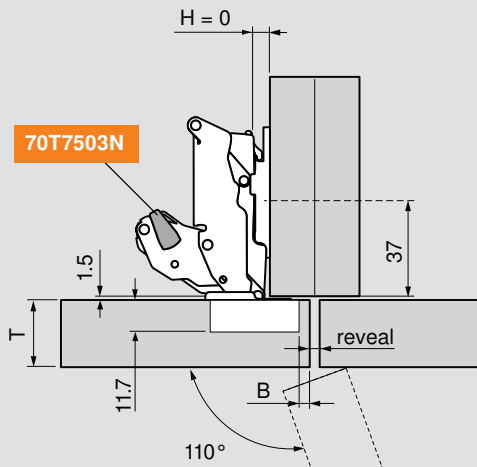
Part no.
92° restriction clip **70T7503N09**

Abbreviations

H	=	Plate height
P	=	Door protrusion
S	=	Side arm protrusion
T	=	Door thickness
W	=	Side panel width



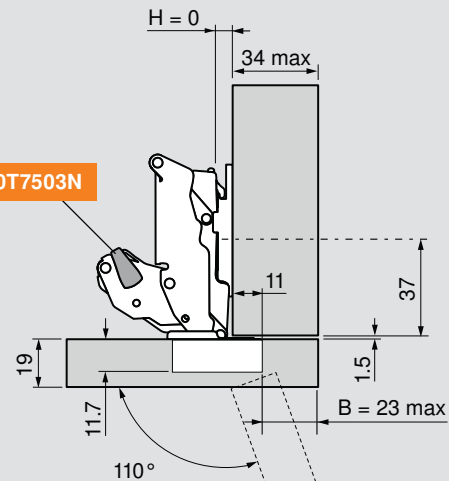
Maximum door thickness



Trial application recommended

NOTE: For thick door applications, you must bore at the specified boring distance listed in the chart below

Maximum door overlay



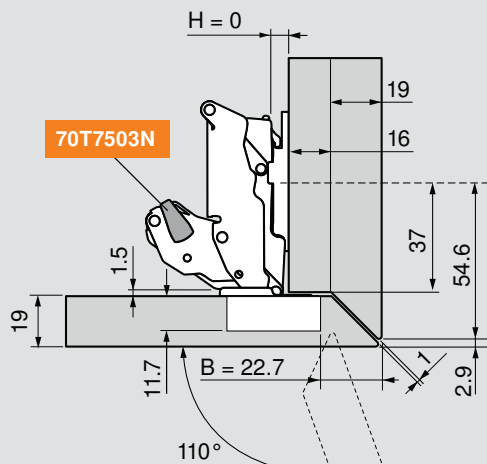
Trial application recommended

Minimum reveal	T = door thickness						
2	28	27	26	25			
	3	4	5	6	7	*8	
	B = boring distance						

H	Overlay							
0	19	22	24	26	28	30	32	34
	8	11	13	15	17	19	21	23
	B = boring distance							

* Minimum reveal is 1 mm on a 25 mm thick door when bored at 8 mm

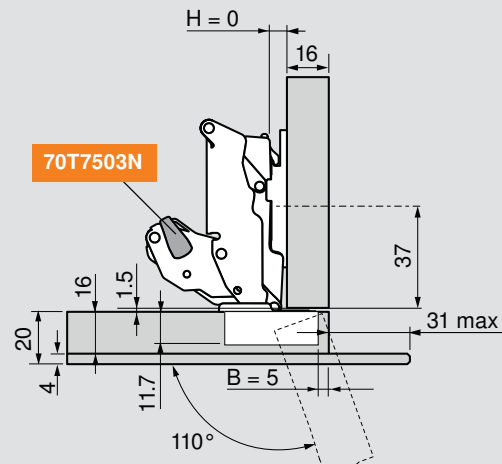
Mitered door with large overlay



Trial application recommended

NOTE: These applications can be achieved in face frame cabinets by blocking out behind the frame

Thin facings added to door



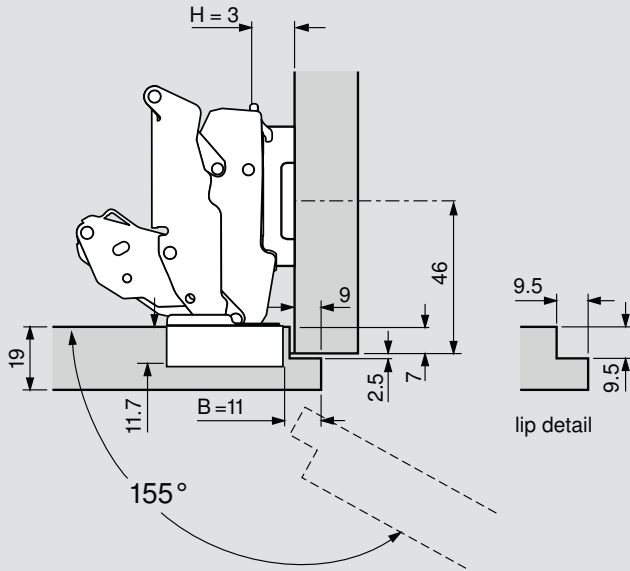
Trial application recommended

Straight-arm	Self close
Screw-on	71T7500N
Press-in	71T7530N
INSERTA	71T7540N

Angle restriction clips	
	For use with 155° hinges only
	Gray nylon
	Part no.
110° restriction clip	70T7503N
92° restriction clip	70T7503N09

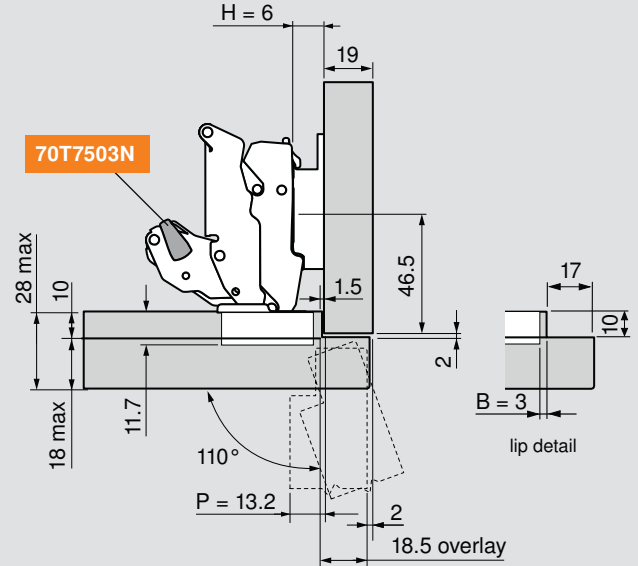
Abbreviations	
H	= Plate height
P	= Door protrusion
S	= Side arm protrusion
T	= Door thickness
W	= Side panel width

Lip door



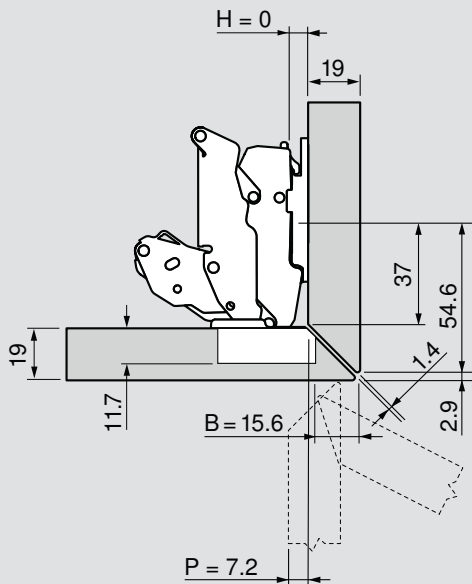
Trial application recommended

Thick lip door



Trial application recommended

Two-sided and four-sided mitered



Trial application recommended

NOTE: These applications can be achieved in face frame cabinets by blocking out behind the frame

Half-cranked	Self close
Screw-on	71T7600N
INSERTA	71T7640N

Angle restriction clips



- For use with 155° hinges only
- Gray nylon

Part no.

110° restriction clip	70T7503N
92° restriction clip	70T7503N09

Abbreviations

H	= Plate height
P	= Door protrusion
S	= Side arm protrusion
T	= Door thickness
W	= Side panel width

CLIP top 120° aluminum door hinges for BLUMOTION



Features

- 120° opening angle
- For use with BLUMOTION 973A
- Three-dimensional adjustment
- All metal hinge, nickel-plated

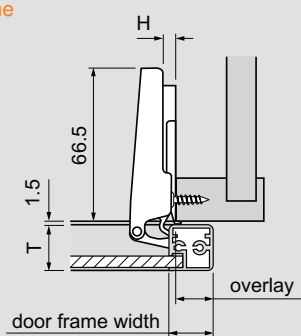
Minimum reveal table

18	1.5	1.9	2.4	2.9	3.7
19	1.5	1.8	2.2	2.7	3.3
20	1.4	1.8	2.2	2.6	3.1
21	1.4	1.7	2.1	2.5	3.0
22	1.3	1.7	2	2.4	2.9
door frame width	18	19	20	21	22
	T = door thickness				

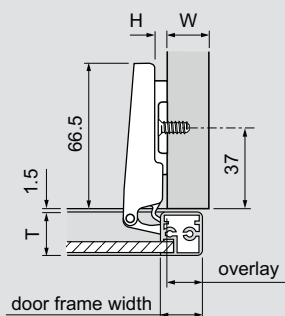
Thickness greater than 22 trial app. recommended

Overlay

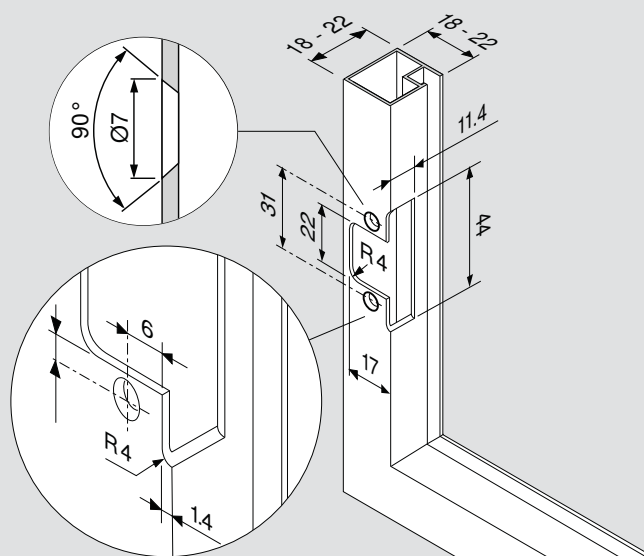
Frame



Panel

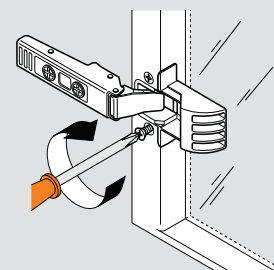
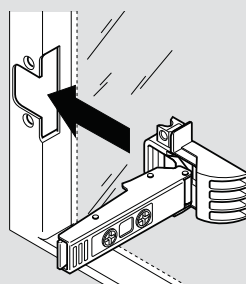


Specifications



Insert hinges into machined openings

Attach with special screws provided with hinges (699.110)



H	Overlay	P	S
0	15	8	19.5
3	12	11	22.5
4.5	10.5	12.5	24
6	9	14	25.5
9	6	17	28.5
Fixed boring distance			

NOTE: 4.5 plate is only for use in face frame cabinets, 9 plate is only for panel cabinets

Straight-arm	Self close
Screw-on	73T550AB

Abbreviations

H	= Plate height
P	= Door protrusion
S	= Side arm protrusion
T	= Door thickness
W	= Side panel width

CLIP top 120° aluminum door hinges



Features

- 120° opening angle
- Not for use with BLUMOTION 973A
- Three-dimensional adjustment
- All metal hinge, nickel-plated

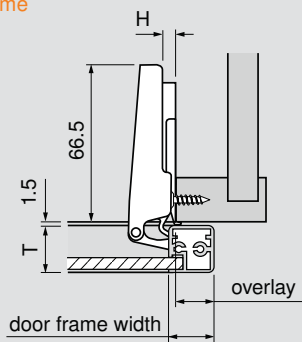
Minimum reveal table					
18	1.5	1.9	2.4	2.9	3.7
19	1.5	1.8	2.2	2.7	3.3
20	1.4	1.8	2.2	2.6	3.1
21	1.4	1.7	2.1	2.5	3.0
22	1.3	1.7	2	2.4	2.9
door frame width	18	19	20	21	22
T = door thickness					

Thickness greater than 22 trial app. recommended

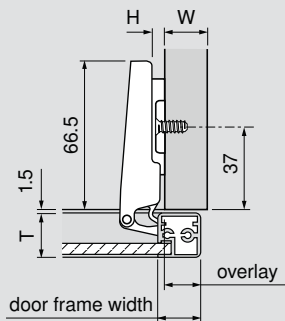
CLIP top/CLIP

Overlay

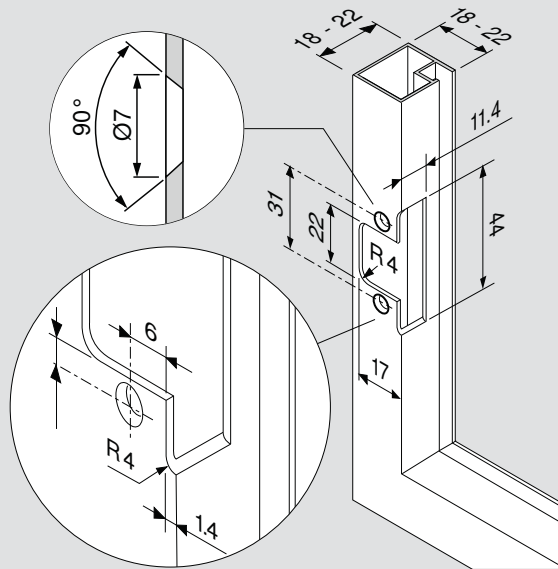
Frame



Panel

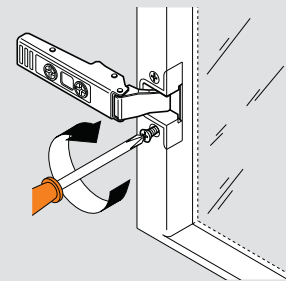
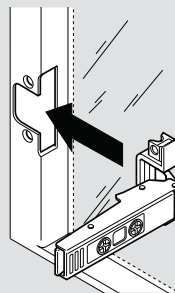


Specifications



Insert hinges into machined openings

Attach with special screws provided with hinges (699.110)



H	Overlay	P	S
0	15	8	19.5
3	12	11	22.5
4.5	10.5	12.5	24
6	9	14	25.5
9	6	17	28.5
Fixed boring distance			

NOTE: 4.5 plate is only for use in face frame cabinets, 9 plate is only for panel cabinets

Straight-arm	Self close	Free swing
Screw-on	73T550A	72T550A.TL

Abbreviations

H	=	Plate height
P	=	Door protrusion
S	=	Side arm protrusion
T	=	Door thickness
W	=	Side panel width

CLIP top 95° inset blind corner hinge



Features

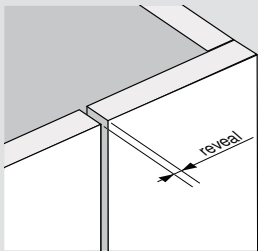
- 95° opening angle
- Three-dimensional adjustment
- Available with INSERTA tool-free attachment
- All metal hinge, nickel-plated

Minimum reveal table						
3	0.1	0.3	0.4	0.5	0.9	1.3
4	0.1	0.3	0.4	0.5	0.9	1.3
5	0.1	0.3	0.4	0.5	0.9	1.3
6	0.1	0.3	0.4	0.5	0.9	1.2
7	0.1	0.3	0.4	0.5	0.9	1.2
B = bore dist.	16	18	19	20	22	24

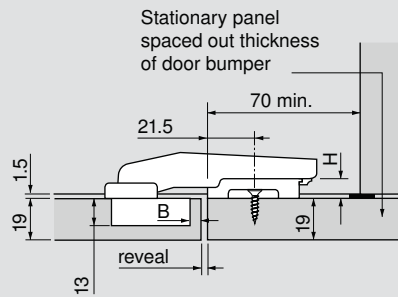
T = door thickness

Thickness greater than 24 trial app. recommended

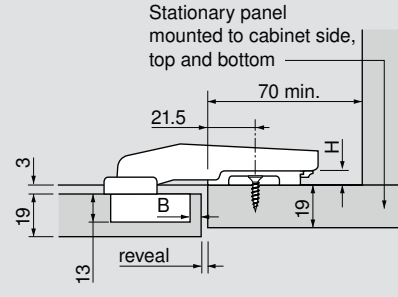
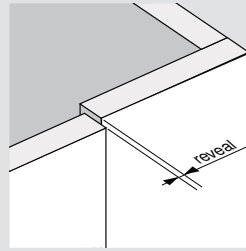
Flush door applications



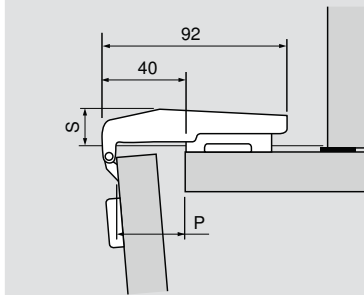
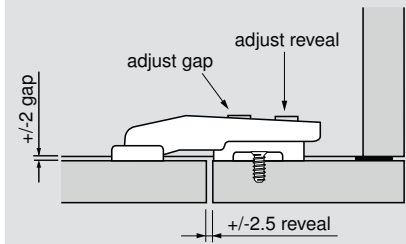
Back of door is flush with stationary panel



Offset door applications



Adjustments and clearances



H	Reveal					P	S
3	5	4	3	2	1	33.5	21
	3	4	5	6	7		
	B = boring distance						

H	Reveal					P	S
0	5	4	3	2	1	33.5	18
	3	4	5	6	7		
	B = boring distance						

Inset blind corner	Self close
Screw-on	79T9550
Press-in	79T9580
INSERTA	79T9590B

Inset blind corner	Self close
Screw-on	79T9550
Press-in	79T9580
INSERTA	79T9590B

Abbreviations	
H	= Plate height
P	= Door protrusion
S	= Side arm protrusion

CLIP top 95° overlay blind corner hinge



Features

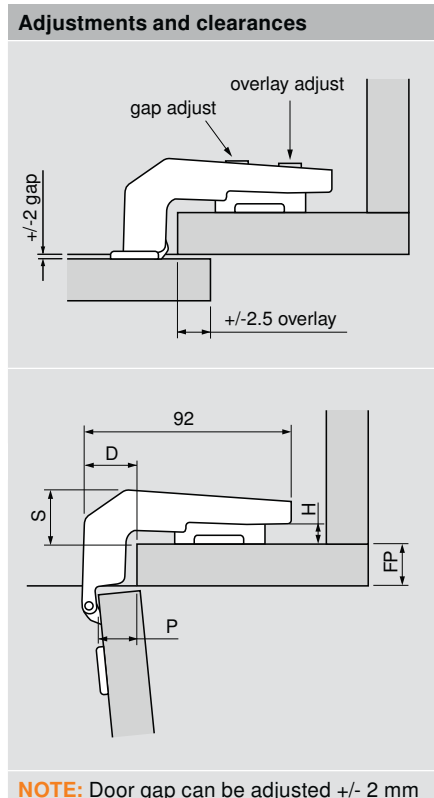
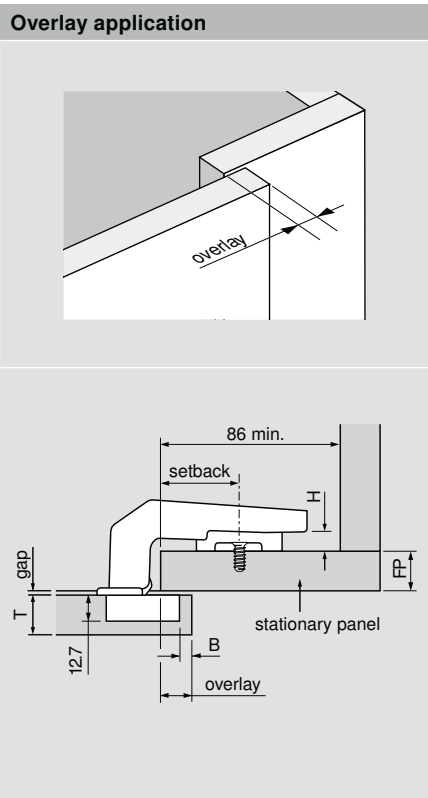
- 95° opening angle
- Three-dimensional adjustment
- Available with INSERTA tool-free attachment
- All metal hinge, nickel-plated

Minimum reveal table						
3	0.1	0.3	0.4	0.5	0.9	1.3
4	0.1	0.3	0.4	0.5	0.9	1.3
5	0.1	0.3	0.4	0.5	0.9	1.3
6	0.1	0.3	0.4	0.5	0.9	1.2
7	0.1	0.3	0.4	0.5	0.9	1.2
B= bore dist.	16	18	19	20	22	24

T = door thickness

Thickness greater than 24 trial app. recommended

CLIP top/CLIP



Setback	Overlay					P	D
27	2	3	4	5	6	7	32
32	7	8	9	10	11	12	27
37	12	13	14	15	16	17	22
	3	4	5	6	7	Fixed distance = 9	
	B = boring distance						

NOTE: Door overlay varies depending on the setback position of the mounting plate. Use the table to select the desired overlay and cross-reference to the plate setback and bore distance.

H	Gap			S
0	7	4	1	21
3	4	1	—	24
6	1	—	—	27
	16	19	22	
	FP = front panel thickness			

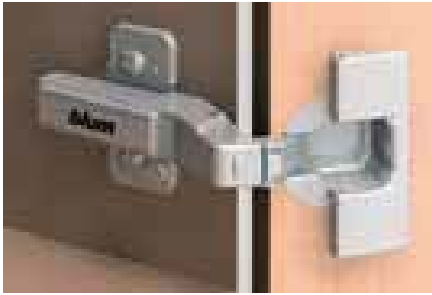
NOTE: The door gap varies depending on the thickness of the stationary panel and the height of the mounting plate. Use the table to cross-reference the plate height based on the front panel thickness and door gap.

Overlay blind corner	Self close
INSERTA	79T9990B37

Abbreviations

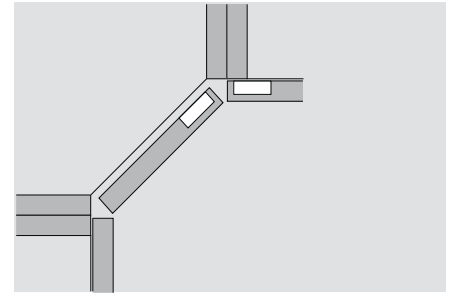
FP	= Front panel thickness
D	= Depth
H	= Plate height
P	= Door protrusion
S	= Side arm protrusion
T	= Door thickness

CLIP top diagonal 45° hinges

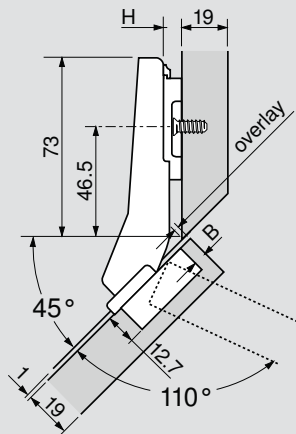
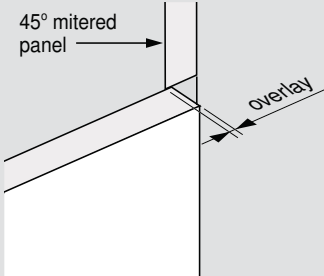


Features

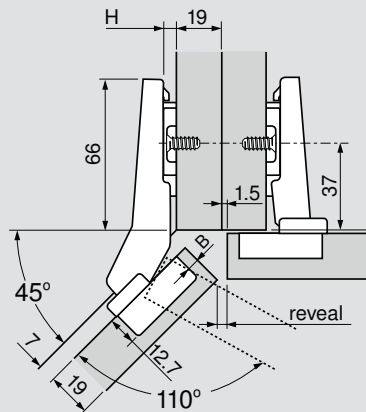
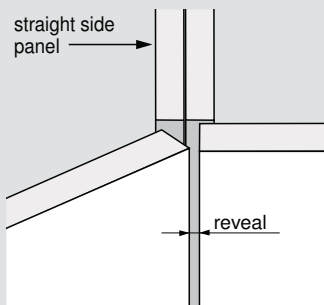
- 110° opening angle
- Three-dimensional adjustment
- Available with INSERTA tool-free attachment
- All metal hinge, nickel-plated



Overlay application



Inside corner



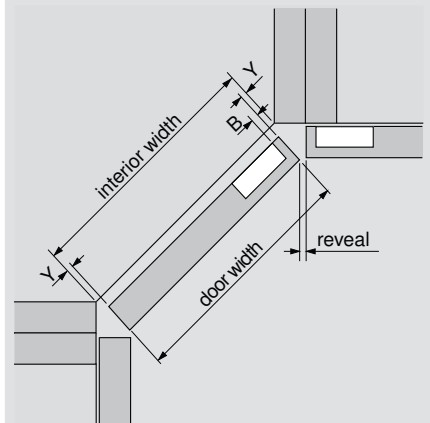
Calculating door width

Step 1. Using the boring distance (B) determined in the reveal table, cross-reference to find the side gap distance (Y) in the table below.

Step 2. Using the following formula to find the door width. Door width = interior width minus (Y x 2).

Example: interior width = 400 mm, side gap (Y) = 4.5 mm.

$$391 = 400 \text{ minus } (4.5 \times 2)$$



H	Overlay			
0	1	2	3	4
	3	4	5	6
B = boring distance				

H	Reveal			
0	6	5	4	3
	3	4	5	6
B = boring distance				
NOTE: Reveal based on 19 (3/4") side panel				

Y = side gap			
5.5	4.5	3.5	2.5
3	4	5	6
B = boring distance			
NOTE: Calculations based on 19 (3/4") door thk.			

Diagonal 45° hinges	Self close
Screw-on	79T5550
Press-in	79T5580
INSERTA	79T5590B

Diagonal 45° hinges	Self close
Screw-on	79T5550
Press-in	79T5580
INSERTA	79T5590B

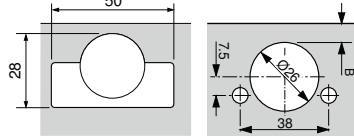
Abbreviations	
H	= Plate height
Y	= Side gap

CLIP top 95° mini hinges



Features

- 95° opening angle
- For small doors or doors with small frames
- Side adjustment of +0.5 mm to -3.5 mm
- 26 mm drill bit required (**1" can not be used**)
- Three-dimensional adjustment
- All metal hinge, nickel-plated



Minimum reveal table							
3	1.1	2.2	3.0	3.8	5.5	7.3	9.1
4	1.1	2.0	2.7	3.5	5.0	6.8	8.6
5	1.1	1.8	2.4	3.0	4.6	6.3	8.0
B = boring dist.	16	18	19	20	22	24	26

T = door thickness

Thickness greater than 26 trial app. recommended

CLIP top/CLIP

Overlay

Frame

Panel

Partial/twin overlay

Frame

Panel

Inset

Frame

Panel

NOTE: For this application use a half-cranked hinge and mounting plate 175H5030.21

H	Overlay			P	S
0	13	14	15	6	19
3	10	11	12	9	22
4.5	8.5	9.5	10.5	11	23.5
6	7	8	9	12	25
9	4	5	6	15	28
	3	4	5	Fixed distance = 10	
	B = boring distance				

NOTE: 4.5 plate is only for use in face frame cabinets, 9 plate is only for panel cabinets

H	Overlay			P	S
0	3.5	4.5	5.5	15.5	24
	3	4	5	Fixed distance = .5	
	B = boring distance				

H	Reveal			W	P	S
	9	7	5	16		
0	12	10	8	19	15.5	24
	15	13	11	22		
	3	4	5			
	B = boring distance					

H	Reveal			P	S
0	5	4	3	24	32
	3	4	5	Fixed distance = -8	
	B = boring distance				

Abbreviations	
H	= Plate height
P	= Door protrusion
S	= Side arm protrusion
T	= Door thickness
W	= Side panel width

Straight-arm	Self close
Screw-on	71T0550

Half-cranked	Self close
Screw-on	71T0650

Full-cranked	Self close
Screw-on	71T0750

CLIP top 95° glass door hinges

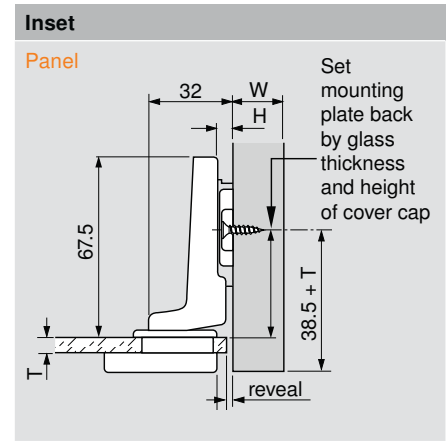
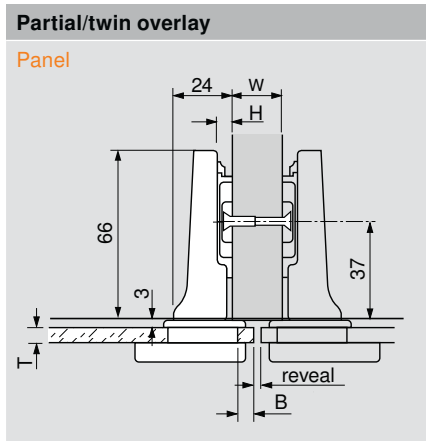
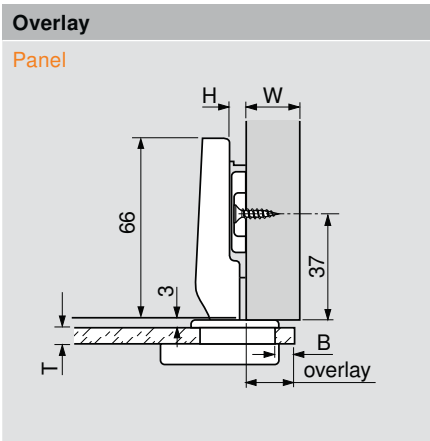


Features

- 95° opening angle
- For glass thickness of 4.5 mm to 7 mm
- Side adjustment of +5 mm to -3.5 mm
- Three-dimensional adjustment
- Fixing screws included (605.1100)
- 26 mm drill bit required (**1" can not be used**)

Minimum reveal table				
5.5	0	0	0	0
6	0	0	0	0
6.5	0	0	0	0
7	0	0	0	0
B = boring dist.	4.5	5	6	7
T = door thickness				

Thickness greater than 7 trial app. recommended



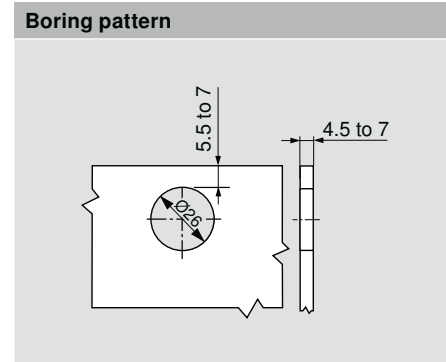
Cover caps for door front

D-shape cap

Round cap

- Required on door front
- D-shape available in polished chrome
- Round available in black and polished chrome

	Part no.
D-shape cover cap	84.4120
Round cover cap	84.4140



H	Overlay				P	S
0	15.5	16	16.5	17	6	19
3	12.5	13	13.5	14	9	22
6	9.5	10	10.5	11	12	25
9	6.5	7	7.5	8	15	28
	5.5	6	6.5	7	Fixed distance = 10	
	B = boring distance					

NOTE: 4.5 plate is only for use in frame cabinets, 9 plate is only for panel cabinets

H	Reveal				W	P	S
0	4	3	1	0.5	16		
	7	6	5	4	19	15	24
	10	9	8	7	22		
	5.5	6	6.5	7			
	B = boring distance						

H	Reveal				P	S
0	2.5	2	1.5	1	23.5	32
	5.5	6	6.5	7	Fixed distance = -8	
	B = boring distance					

Abbreviations

H	= Plate height
P	= Door protrusion
S	= Side arm protrusion
T	= Door thickness
W	= Side panel width

Straight-arm	Self close
Screw-on	75T4100

Half-cranked	Self close
Screw-on	75T4200

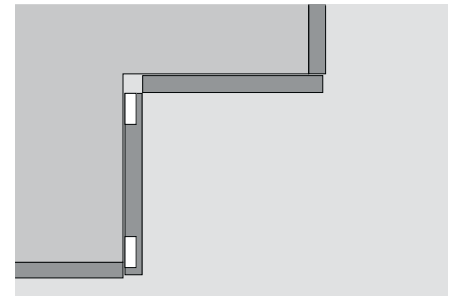
Full-cranked	Self close
Screw-on	75T4300

CLIP top 60° bi-fold hinges



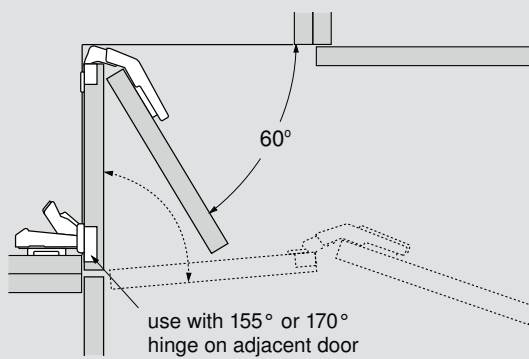
Features

- 60° opening angle
- Spiral tech side adjustment for door gap
- Spiral tech depth adjustment for in/out
- Four-dimensional adjustment
- All metal hinge, nickel-plated



CLIP top/CLIP

Inside corner application



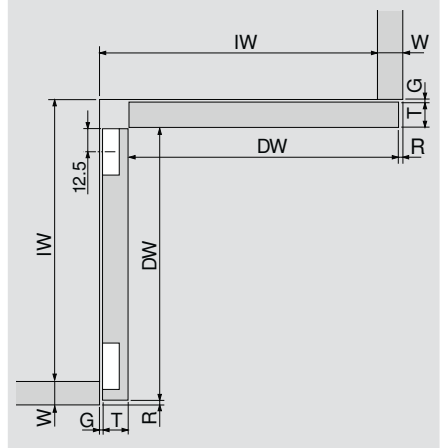
Calculating door sizes

The doors for a CLIP top bi-fold application can be of equal or unequal width. To calculate the door width (DW) of each door follow the step-by-step below.

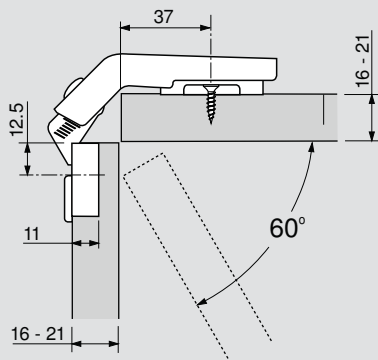
- Step 1.** Add the interior width to the side panel width (W)
- Step 2.** Subtract door thickness (T) and reveal (R)
- Step 3.** Subtract gap (G) and bumper thickness behind adjacent door

Formula: $DW = (IW + W) \text{ minus } T \text{ minus } R \text{ minus } G$

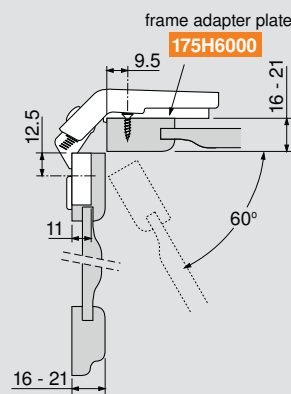
Example: $DW = (500 + 19) - 19 - 3 - 1$
 $DW = 496 \text{ mm}$



With flat panel doors

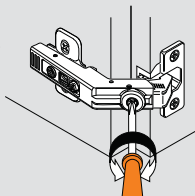


With profile doors

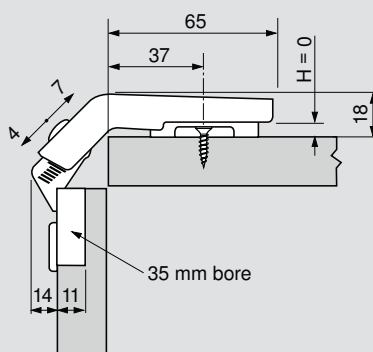


Adjustment

The Spiral Tech cam adjustment of the CLIP top bi-fold hinge allows +4/-7 mm adjustment.



General specifications



Abbreviations

DW	=	Door width
G	=	Gap
H	=	Plate height
IW	=	Interior width
R	=	Reveal
T	=	Door thickness
W	=	Side panel width

Bi-fold hinges	Self close
Screw-on	79T8500.10
Press-in	79T8530.10

CLIP 100° hinges

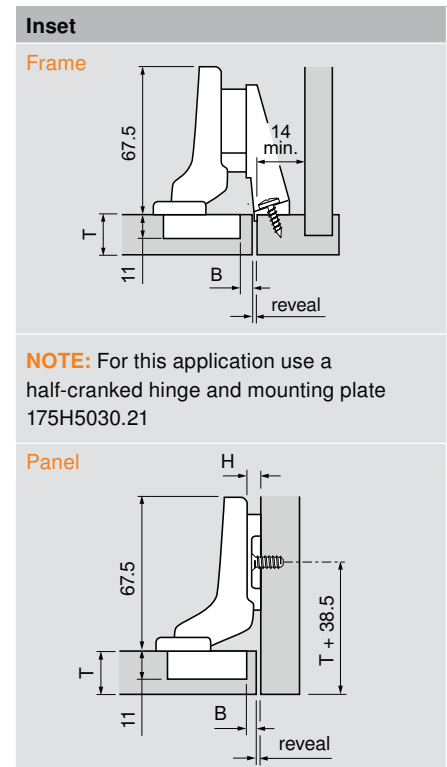
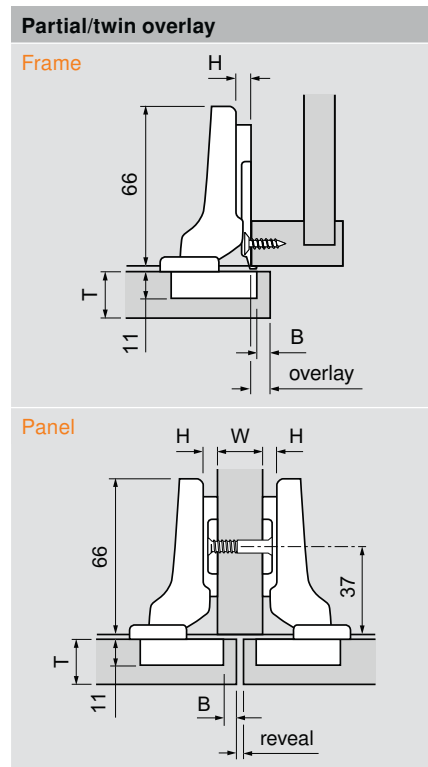
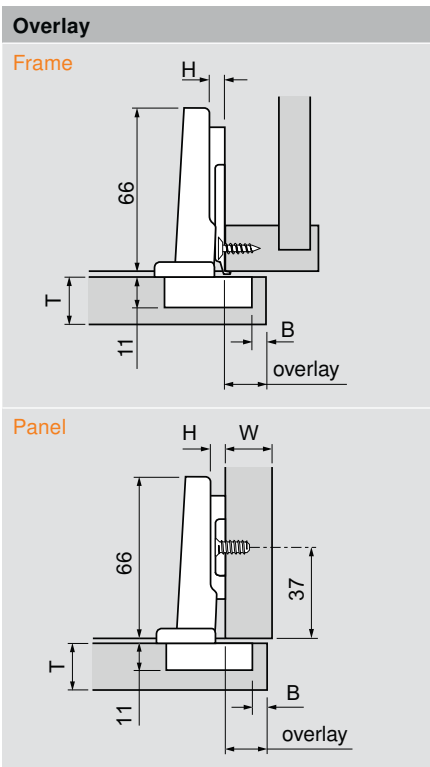


Features

- 100° opening angle
- Three-dimensional adjustment
- Available with INSERTA tool-free attachment
- All metal hinge, nickel-plated

Minimum reveal table						
3	0.5	0.9	1.1	1.4	2.3	3.6
4	0.5	0.8	1.0	1.3	2.0	3.3
5	0.4	0.8	1.0	1.2	1.8	3.0
6	0.4	0.8	0.9	1.1	1.7	2.8
B = boring dist.	16	18	19	20	22	24
T = door thickness						

Thickness greater than 24 trial app. recommended



NOTE: For this application use a half-cranked hinge and mounting plate 175H5030.21

H	Overlay				P	S
0	14	15	16	17	9	20
3	11	12	13	14	12	23
4.5	9.5	10.5	11.5	12.5	13.5	24.5
6	8	9	10	11	15	26
9	5	6	7	8	18	29
	3	4	5	6	Fixed distance = 11	
	B = boring distance					

NOTE: 4.5 plate is only for use in face frame cabinets, 9 plate is only for panel cabinets

H	Overlay				P	S
0	4.5	5.5	6.5	7.5	18.5	30
	3	4	5	6	Fixed distance = 1.5	
	B = boring distance					

H	Reveal				P	S
0	4	3	2	1	27	38
	3	4	5	6	Fixed dist. = -7	
	B = boring distance					

H	Reveal				W	P	S
	7	5	3	1	16		
0	10	8	6	4	19	18.5	30
	13	11	9	7	22		
	3	4	5	6	B = boring distance		
	B = boring distance						

Abbreviations

H	=	Plate height
P	=	Door protrusion
S	=	Side arm protrusion
T	=	Door thickness
W	=	Side panel width

Straight-arm	Self close	Free swing
Screw-on	71M2550	70M2550.TL
Press-in	71M2580	70M2580.TL
INSERTA	71M2590B	

Half-cranked	Self close	Free swing
Screw-on	71M2650	70M2650.TL
Press-in	71M2680	
INSERTA	71M2690B	

Full-cranked	Self close	Free swing
Screw-on	71M2750	70M2750.TL
Press-in	71M2780	70M2780.TL
INSERTA	71M2790B	

CLIP 107° hinges



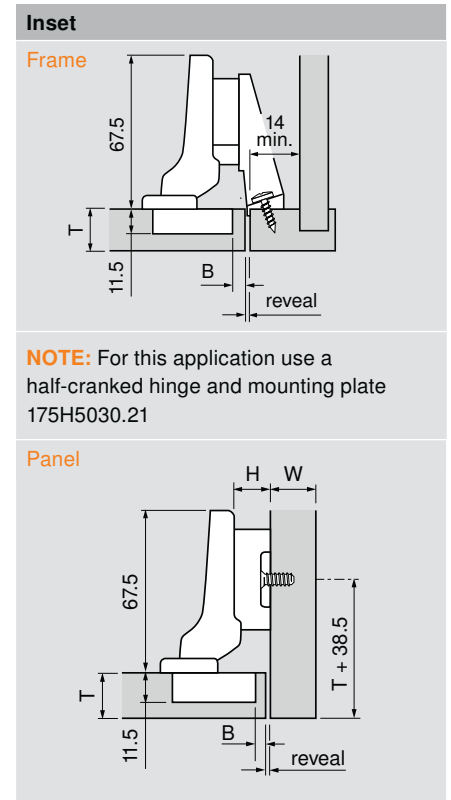
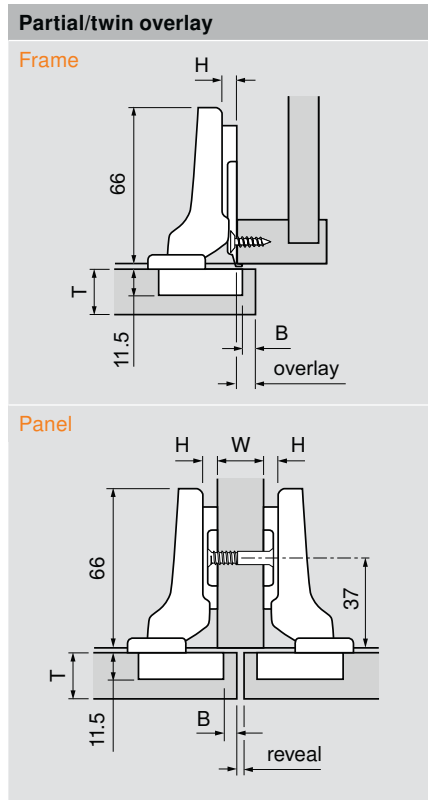
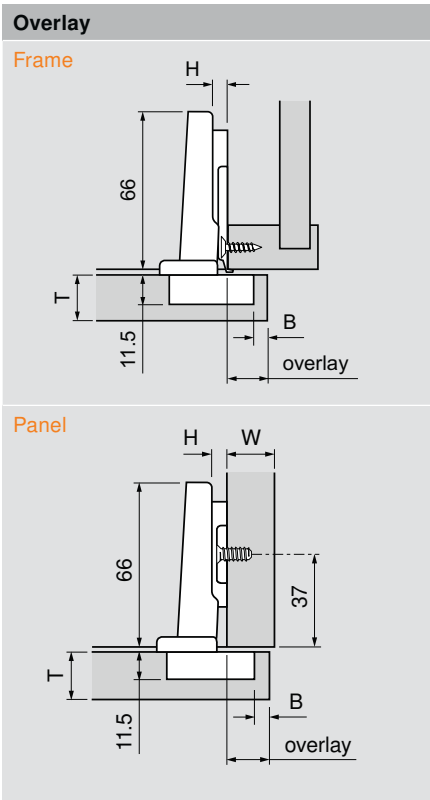
Features

- 107° opening angle
- Three-dimensional adjustment
- Available with INSERTA tool-free attachment
- 86° angle restriction clip available (74.1103)
- All metal hinge, nickel-plated

Minimum reveal table					
3	0.6	1.0	1.3	1.7	2.5
4	0.6	1.0	1.3	1.6	2.4
5	0.6	1.0	1.2	1.5	2.2
6	0.6	1.0	1.2	1.4	2.0
B = boring dist.	16	18	19	20	22
T = door thickness					

Thickness greater than 22 trial app. recommended

CLIP top/CLIP



NOTE: For this application use a half-cranked hinge and mounting plate 175H5030.21

H	Overlay				P	S
0	14	15	16	17	10	21
3	11	12	13	14	13	24
4.5	9.5	10.5	11.5	12.5	14.5	25.5
6	8	9	10	11	16	27
9	5	6	7	8	19	30
	3	4	5	6	Fixed distance = 11	
	B = boring distance					

NOTE: 4.5 plate is only for use in face frame cabinets, 9 plate is only for panel cabinets

H	Overlay				P	S
0	4.5	5.5	6.5	7.5	20	31
	3	4	5	6	Fixed distance = 1.5	
	B = boring distance					

H	Reveal				W	P	S
	7	5	3	1	16		
0	10	8	6	4	19	20	31
	13	11	9	7	22		
	3	4	5	6			
	B = boring distance						

H	Reveal				P	S
9	4.5	3.5	2.5	1.5	29	40
	3	4	5	6	Fixed distance = -7.5	
	B = boring distance					

Abbreviations

H	= Plate height
P	= Door protrusion
S	= Side arm protrusion
T	= Door thickness
W	= Side panel width

Straight-arm	Self close
Press-in	75M1580

Half-cranked	Self close
Press-in	75M1680

Half-cranked	Self close
Press-in	75M1680

Euro hinge cover caps

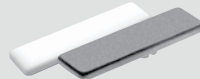
Hinge arm cover cap



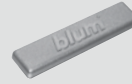
70.1503



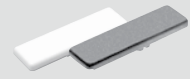
70.1503.BP
(Blum logo)



90M2103.01



90M2103.22
(Blum logo)



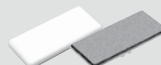
90M2203



70.1663



94M3203



80.6107



80.6507



70.7503

		Nylon	Steel
100°, 107°, 110°, 110+°, 120°, 120+°, thick door and bi-fold hinges	Straight-arm	90M2103.01	70.1503
	With Blum logo	90M2103.22	70.1503.BP
	Cranked-arm	94M3203	70.1663
170° hinges		80.6107	80.6507
155° hinges			70.7503
Diagonal 45°, blind corner, narrow alum. door hinges		90M2103.01	70.1503
Angled hinges		90M2203	70.1503

NOTE: Custom logo cover caps available (minimums apply)

Hinge cup cover cap

- For use with CLIP top hinges only
- Suitable for screw-on, press-in and EXPANDO hinge cups
- Clip on attachment/removal
- Steel, nickel-plated



Part no.

Hinge cup cover cap

70T1504

Hinge cup cover cap

- For use with CLIP top 110° and 110+° hinges only
- Suitable for screw-on, press-in and EXPANDO hinge cups
- Clip on attachment/removal
- Steel, nickel-plated



Part no.

Hinge cup cover cap

70T3504

3 mm spacer

- Reduces overlays by 3 mm
- Mounts under CLIP wing mounting plates
- Brown nylon



Part no.

3 mm spacer

181.6130

Hinge cup spacer

- For use with CLIP top 110° and 110+° hinges only
- 1.5 mm spacer for use under the hinge cup
- For retrofitting existing doors with a cup depth less than 13 mm



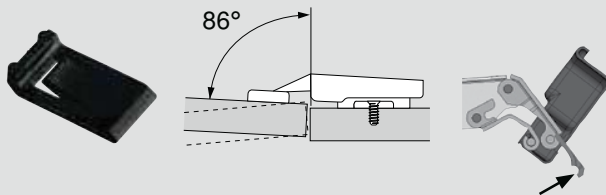
Part no.

Hinge cup spacer

70T3507.21

CLIP top and CLIP angle restriction clips

Angle restriction clip for 107° hinges



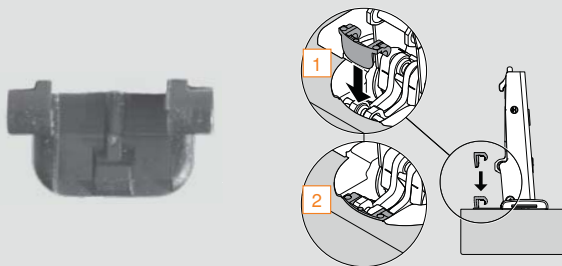
- Reduces opening angle of the CLIP top and CLIP 107° to 86°
- For use with CLIP top and CLIP 107° hinges only
- Installs quickly and easily tool-free
- Non-removable
- Black nylon

Part no.

86° Angle restriction clip

74.1103

Angle restriction clip for 110° hinges



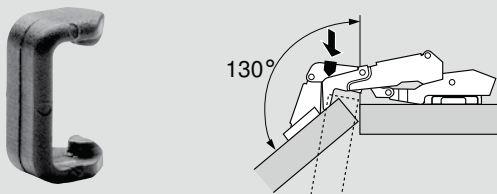
- Reduces opening angle of the CLIP top 110° and 110°+ to 86°
- For use with CLIP top 110° and 110°+ hinges only
- Installs quickly and easily tool-free either before or after the hinge has been installed
- Black nylon

Part no.

86° Angle restriction clip

70T3553

Angle restriction clip for 170° hinges



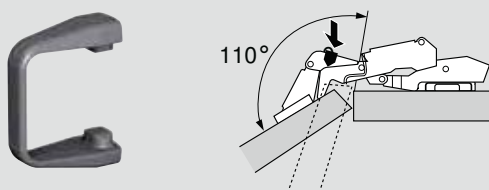
- Reduces opening angle of the CLIP top 170° to 130°
- Required for special applications of the 170° hinge
- Installs quickly and easily tool-free
- Black nylon

Part no.

130° Angle restriction clip

70.6103

Angle restriction clips for 155° hinges



- Reduces opening angle of CLIP top 155° hinge to 110° or 92°
- For use with 155° hinges only
- Installs quickly and easily tool-free
- Gray nylon

Part no.

110° Angle restriction clip

70T7503N

92° Angle restriction clip

70T7503N09

CLIP top angled hinges



CLIP top angled hinges from +45° to -45°

Angled hinges provide a tremendous array of possibilities for the professional cabinet designer. Specifically designed for panel constructed (frameless) cabinets, the system accommodates cabinet front angles from -45° to +45°, in 5° increments. This is achieved by combining any of ten angled hinges, or three standard hinges with a wedge spacer and any of five standard CLIP mounting plates.

All CLIP top hinges feature "Spiral Tech" depth adjustment which eliminates loosening and retightening the adjustment screws. When the doors are ready to be attached to the cabinet, the time-proven CLIP mechanism connects the hinge arm to the mounting plate, again without tools. All components are nickel-plated and have self-closing action, eliminating the need for additional hardware.

Step 1. On page 40, the angle-to-style cross-reference provides an overview of all the angled hinge applications available to assist with your specific application.

Step 2. Once the cabinet front angle is determined, select the row for that angle from the first column. There are five different possibilities for positive angles and two for negative angles.

Step 3. Cross-reference the angle to the style to find the hinge/plate/wedge combination and the specification number. Specifications on pages 41 through 47 are in numerical order and show all the details.

Positive angle hinges

Part no. +15° 79A9494BT	Part no. +20° 79A9595BT	Part no. +30° II* 79A9596BT	Part no. +30° III* 79A9496BT
Part no. +45° I* 79A9698BT	Part no. +45° II* 79T5590B	Part no. +45° III* 79A9498BT	

* These angled hinges are marked I, II, or III on the hinge arm for differentiation (see photo).

Negative angle hinges

Part no. -15° 79A5493BT	Part no. -30° 79A5491BT	Part no. -45° 79A5490BT

Standard thick door hinges used in angled applications

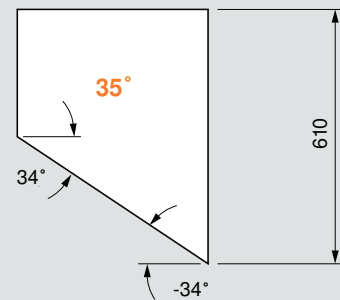
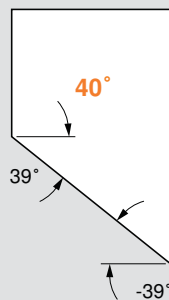
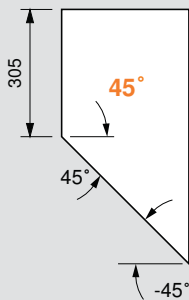
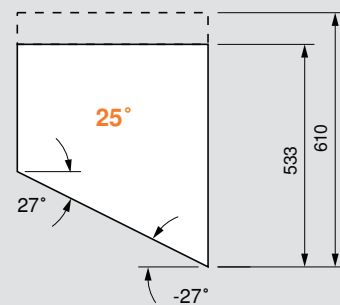
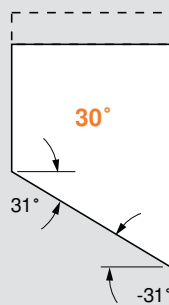
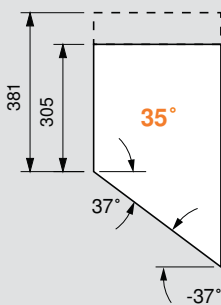
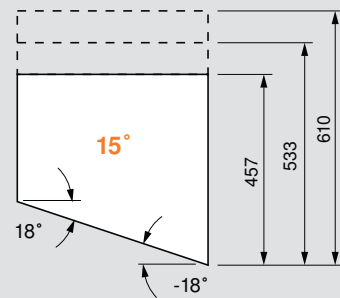
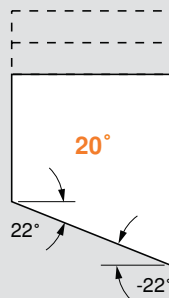
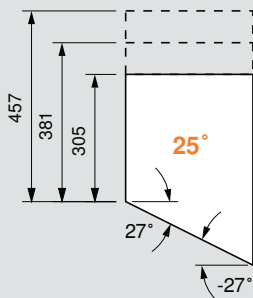
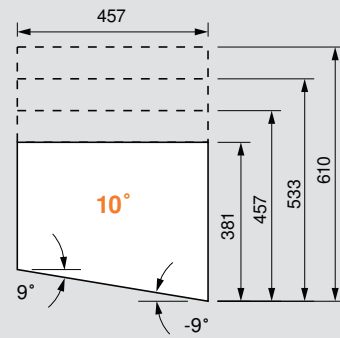
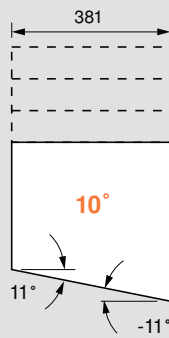
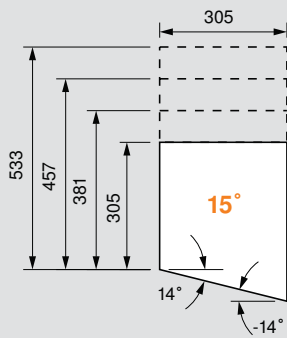
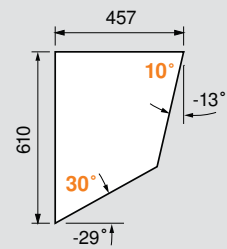
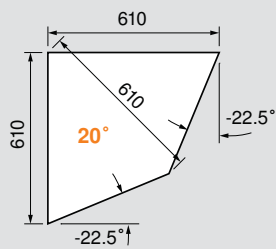
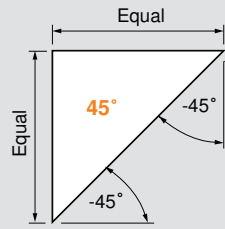
Part no. 95° straight-arm 71T9590B	Part no. 95° half-cranked 71T9690B	Part no. 95° full-cranked 71T9790B

Angled spacer wedges for positive and negative angled hinges

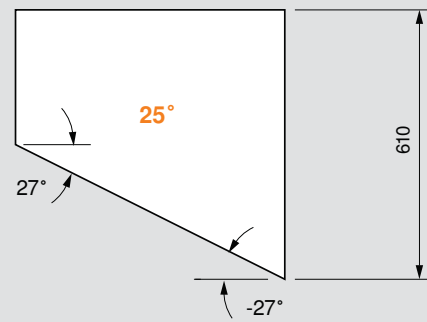
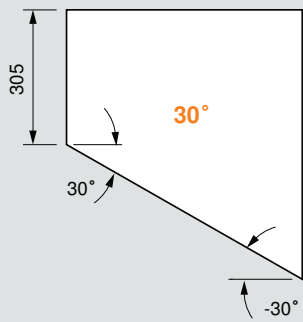
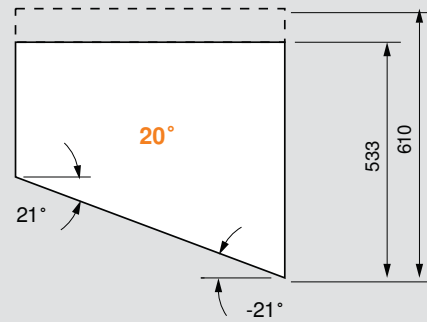
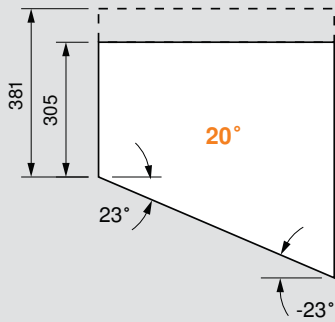
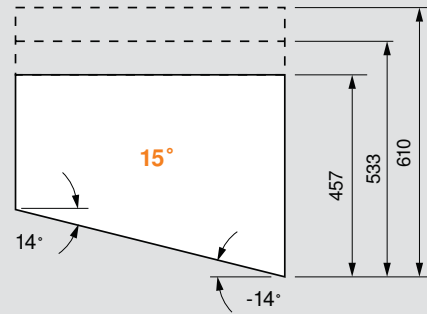
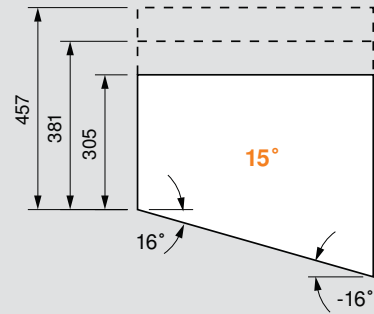
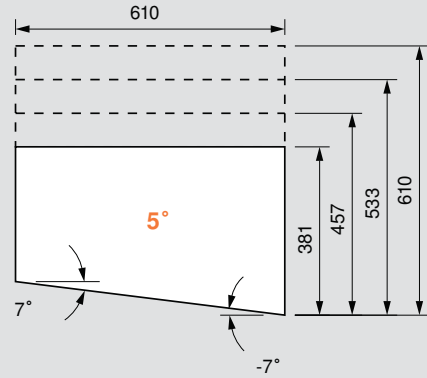
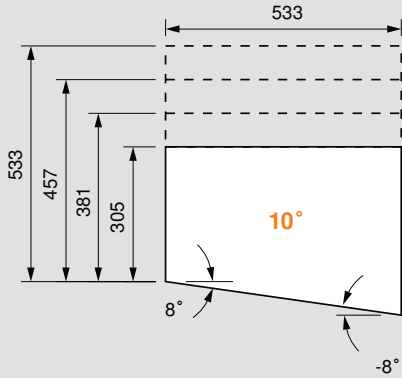
2 mm thickness	4 mm thickness	5 mm thickness	7 mm thickness
Part no. -5° 171A5500	Part no. +5° 171A5010	Part no. +5° 171A5040	Part no. +5° 171A5070

Angled cabinet configurations

Match desired configuration to angle-to-style cross-reference chart on page 38

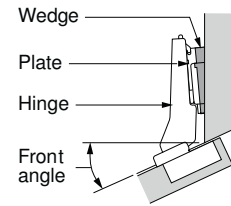


Match desired configuration to angle-to-style cross-reference chart on page 38



Angle-to-style cross-reference

The chart on this page shows the hinge, plate and wedge (or spacer) needed for each angled application. The legend below shows the order of the part numbers.



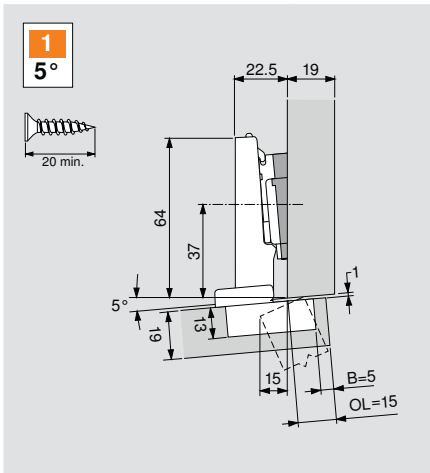
		Application number
Hinge	CLIP top hinge	Part number
Plate	CLIP mounting plate	Part number
Wedge/spacer	May or may not be required	Part number

Positive angles					Negative angles			
Maximum overlay	Partial overlay	Corner merge	Inset door	Mitered corner	Maximum overlay	Inset door		
5°	1	10	19	27	-5°	42	51	
	71T9590B	71T9590B	71T9690B	71T9790B		71T9590B	71T9690B	
	173H7100	173H7100	173H7100	173H7100		173H7100	173H7100	
	171A5010	171A5010	171A5070	171A5010		171A5500	171A5500	
10°	2	11	20	28	-10°	43	52	
	79A9494BT	79A9494BT	79A9494BT	79A9494BT		79A5493BT	79A5493BT	
	173H7100	173H7100	175H9190.22	175H9190.22		173H7100	175H7190	
	171A5500	171A5500	171A5500	171A5500		171A5010	171A5010	
15°	3	12	21	29	36	-15°	44	53
	79A9494BT	79A9494BT	79A9595BT	79A9595BT	79A9595BT		79A5493BT	79A5493BT
	175H9160	175H9190	173H7130	175H9190	173H7100		173H7100	175H9190.22
		171A5500	171A5500	171A5500				
20°	4	13	22	30	37	-20°	45	54
	79A9494BT	79A9595BT	79A9595BT	79A9595BT	79A9595BT		79A5493BT	79A5493BT
	173H7100	173H7100	175H9190	175H9190.22	175H9160		173H7100	175H9160
	171A5070					171A5500	171A5500	
25°	5	14	23	31	38	-25°	46	55
	79A9496BT	79A9595BT	79A9596BT	79A9596BT	79A9596BT		79A5491BT	79A5491BT
	173H7100	173H7100	173H7100	175H9190.22	173H7100		173H7100	175H7190
	171A5500	171A5010	171A5500		171A5500	171A5040	171A5070	
30°	6	15	24	32	39	-30°	47	
	79A9496BT	79A9596BT	79A9596BT	79A9596BT	79A9596BT		79A5491BT	
	175H9160	173H7100	175H9190	175H9190.22	173H7130	173H7130		
35°	7	16	25	33	40	-35°	48	
	79A9496BT	79A9596BT	79A9596BT	79A9596BT	79A9596BT		79A5491BT	
	173H7100	173H7100	173H7100	175H9190.22	173H7100		173H7100	
	171A5070	171A5010	171A5070	171A5010	171A5040	171A5500		
40°	8	17		34		-40°	49	
	79A9498BT	79A9498BT		79A9698BT			79A5490BT	
	173H7100	175H9160		175H9190			173H7100	
	171A5500	171A5500		171A5500		171A5040		
45°	9	18	26	35	41	-45°	50	56
	79A9498BT	79T5590B	79A9698BT	79T5590B	79A9698BT		79A5490BT	79A5490BT
	175H9160	173H7100	173H7100	175H9190.22	173H7100		173H7130	175H7190
							181.6130	

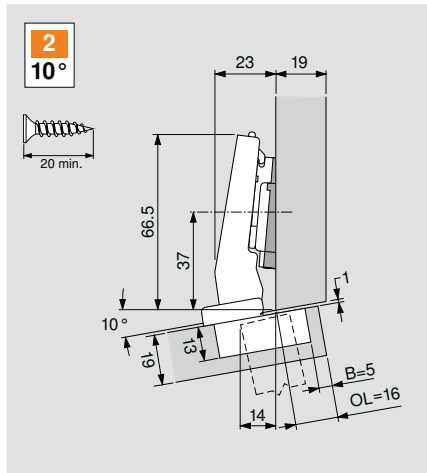
Maximum overlay specifications



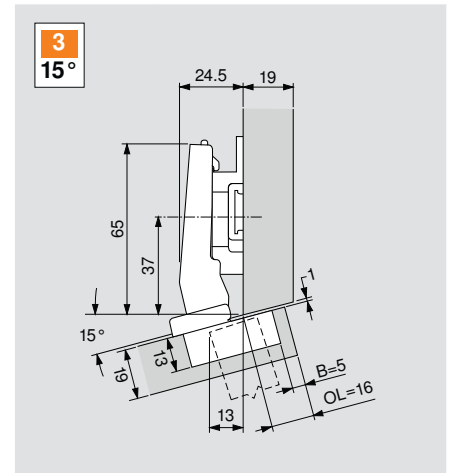
Positive angle applications



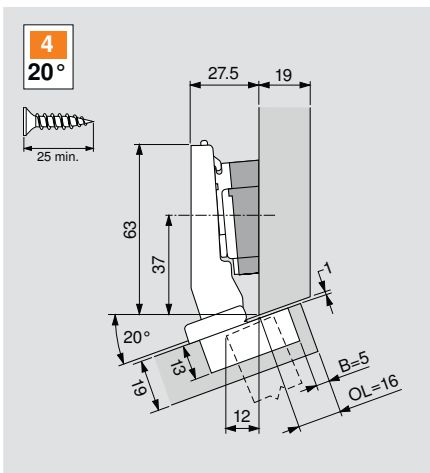
Hinge	Mtg. plate	Wedge
71T9590B	173H7100	171A5010



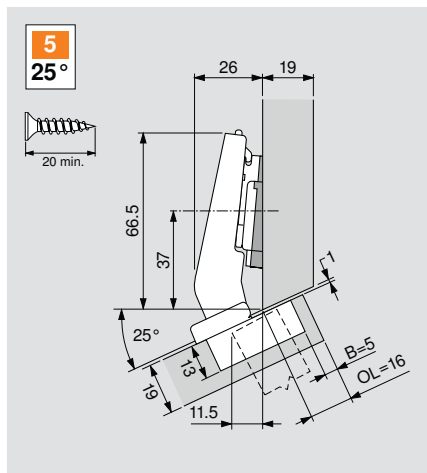
Hinge	Mtg. plate	Wedge
79A9494BT	173H7100	171A5500



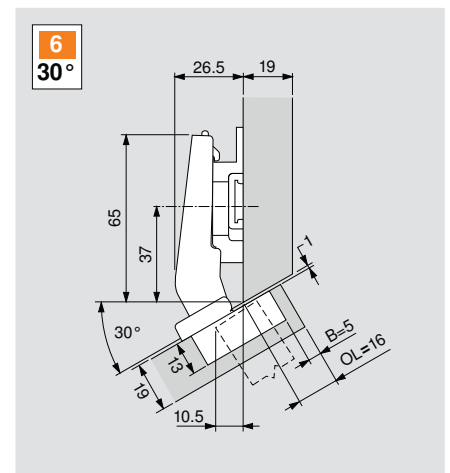
Hinge	Mtg. plate	Wedge
79A9494BT	175H9160	



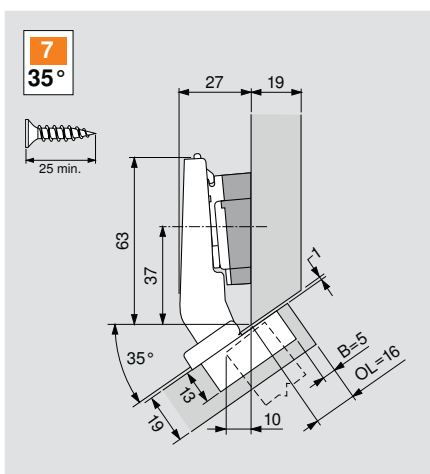
Hinge	Mtg. plate	Wedge
79A9494BT	173H7100	171A5070



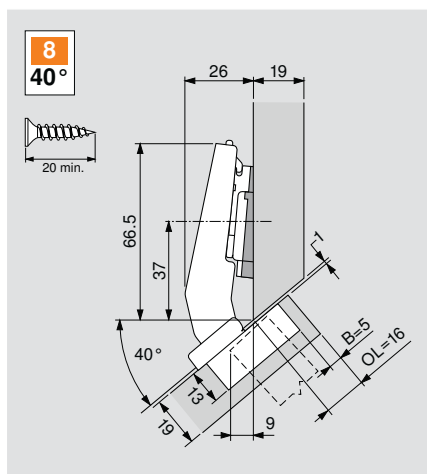
Hinge	Mtg. plate	Wedge
79A9496BT	173H7100	171A5500



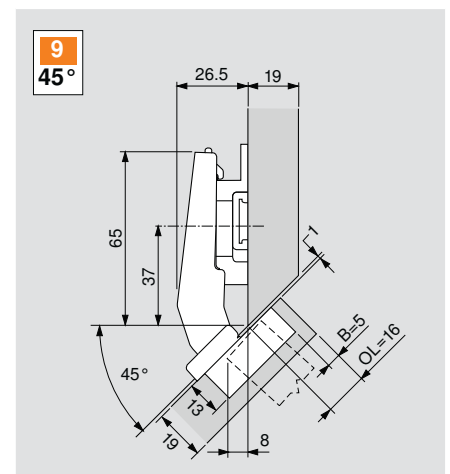
Hinge	Mtg. plate	Wedge
79A9496BT	175H9160	



Hinge	Mtg. plate	Wedge
79A9496BT	173H7100	171A5070



Hinge	Mtg. plate	Wedge
79A9498BT	173H7100	171A5500



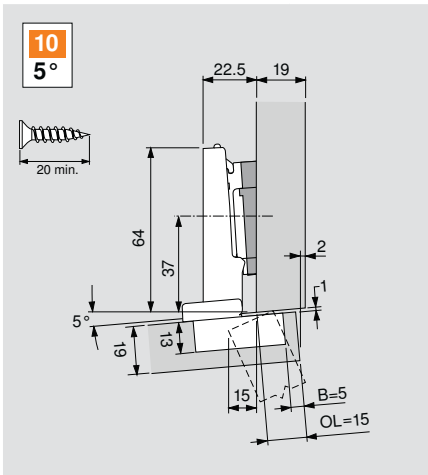
Hinge	Mtg. plate	Wedge
79A9498BT	175H9160	

Angled

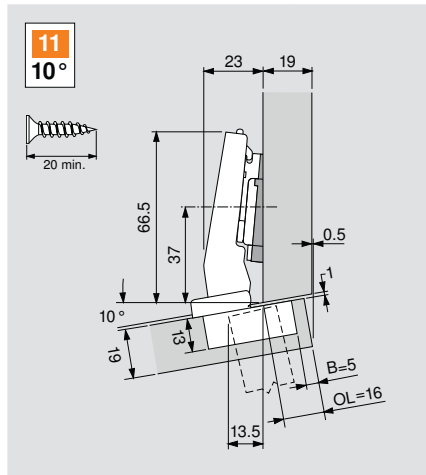
Partial overlay specifications



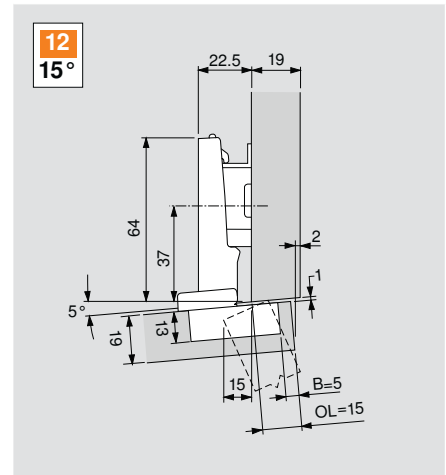
Positive angle applications



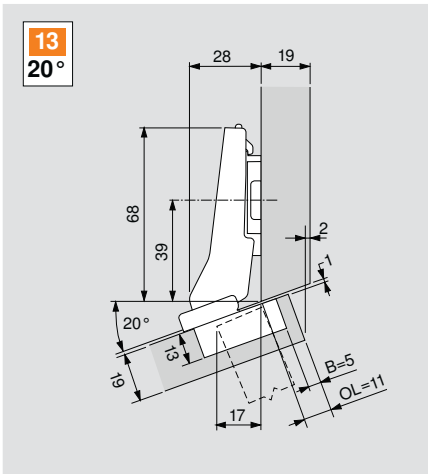
Hinge	Mtg. plate	Wedge
71T9590B	173H7100	171A5010



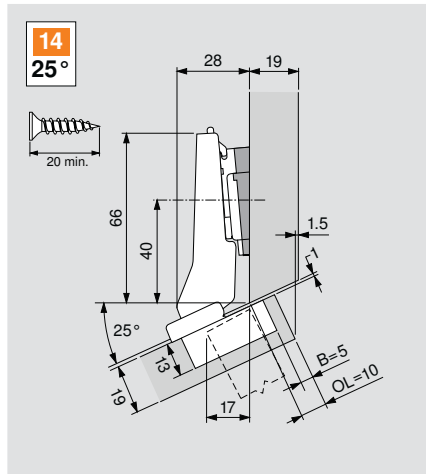
Hinge	Mtg. plate	Wedge
79A9494BT	173H7100	171A5500



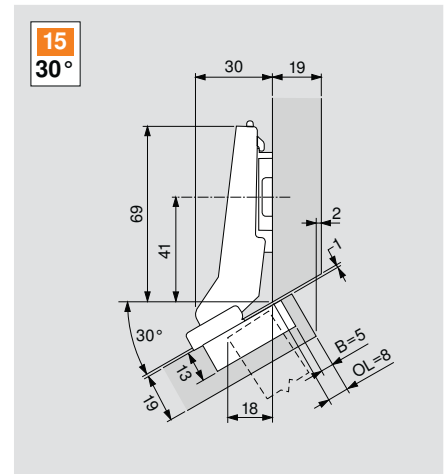
Hinge	Mtg. plate	Wedge
79A9494BT	175H9190	



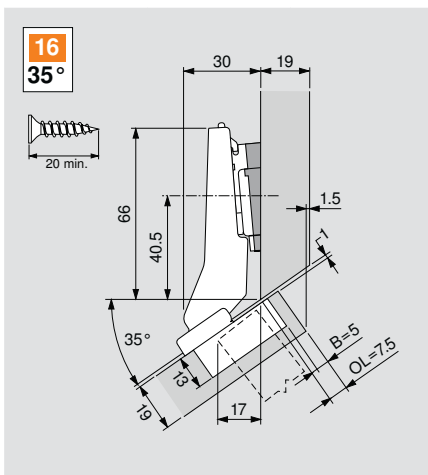
Hinge	Mtg. plate	Wedge
79A9595BT	173H7100	



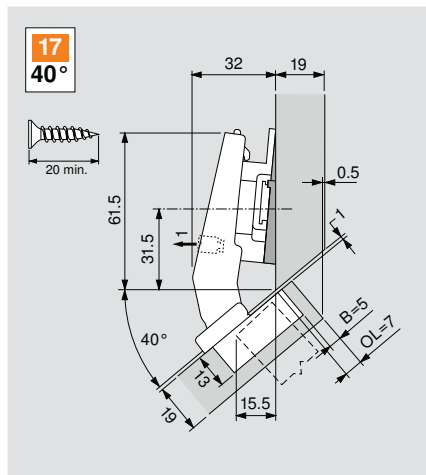
Hinge	Mtg. plate	Wedge
79A9595BT	173H7100	171A5010



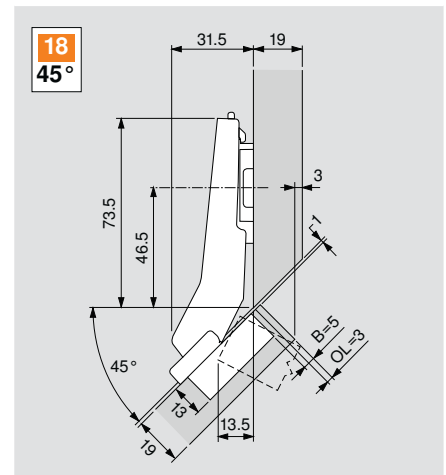
Hinge	Mtg. plate	Wedge
79A9596BT	173H7100	



Hinge	Mtg. plate	Wedge
79A9596BT	173H7100	171A5010



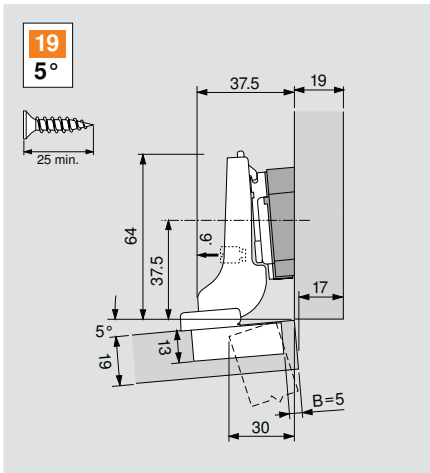
Hinge	Mtg. plate	Wedge
79A9498BT	175H9160	171A5500



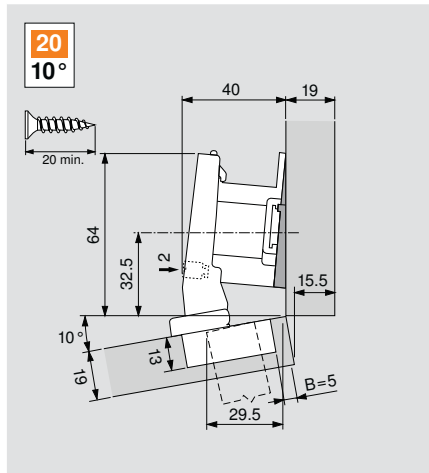
Hinge	Mtg. plate	Wedge
79T5590B	173H7100	

Corner merge specifications

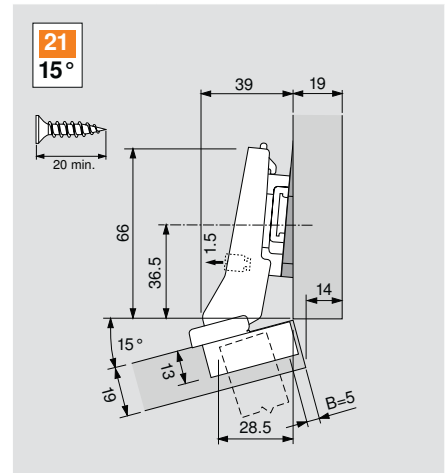
Positive angle applications



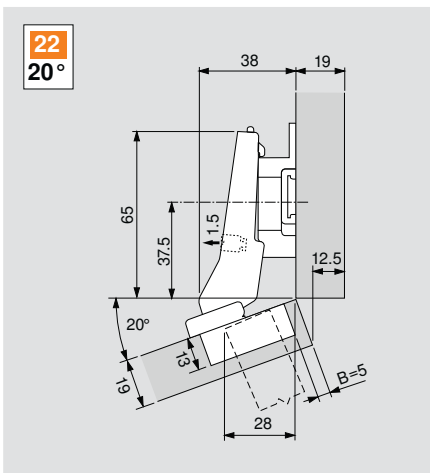
Hinge	Mtg. plate	Wedge
71T9690B	173H7100	171A5070



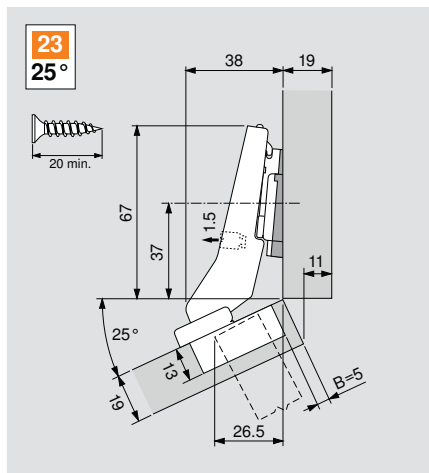
Hinge	Mtg. plate	Wedge
79A9494BT	175H9190.22	171A5500



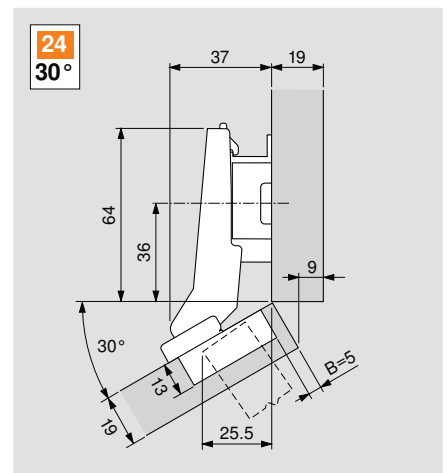
Hinge	Mtg. plate	Wedge
79A9595BT	173H7130	171A5500



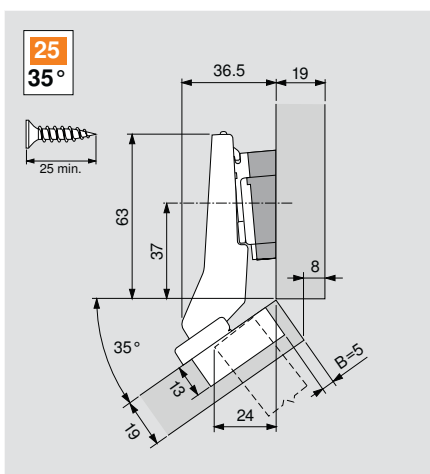
Hinge	Mtg. plate	Wedge
79A9595BT	175H9190	—



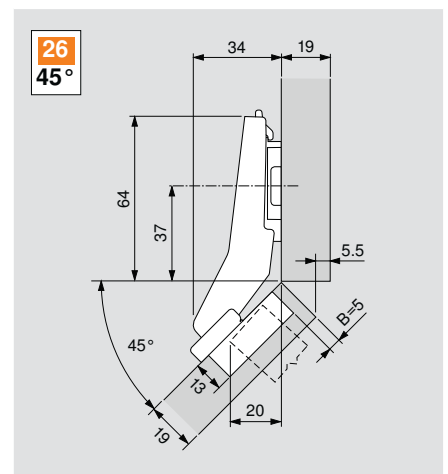
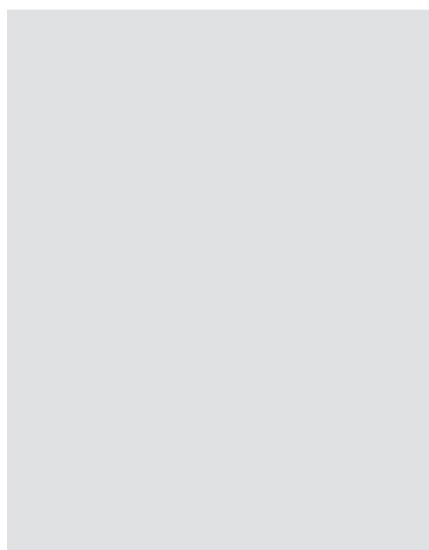
Hinge	Mtg. plate	Wedge
79A9496BT	173H7100	171A5500



Hinge	Mtg. plate	Wedge
79A9596BT	175H9190	—



Hinge	Mtg. plate	Wedge
79A9596BT	173H7100	171A5070

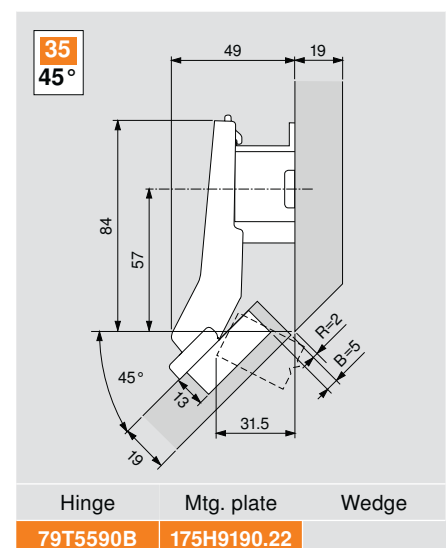
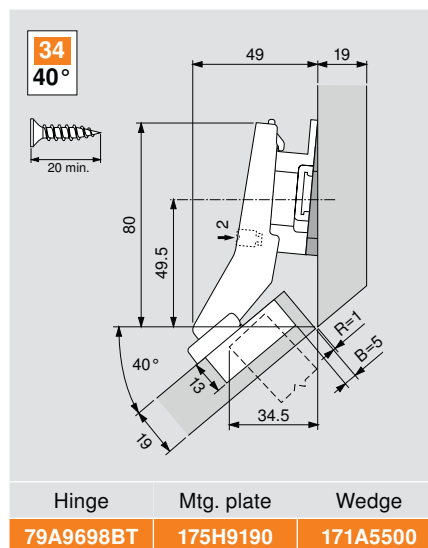
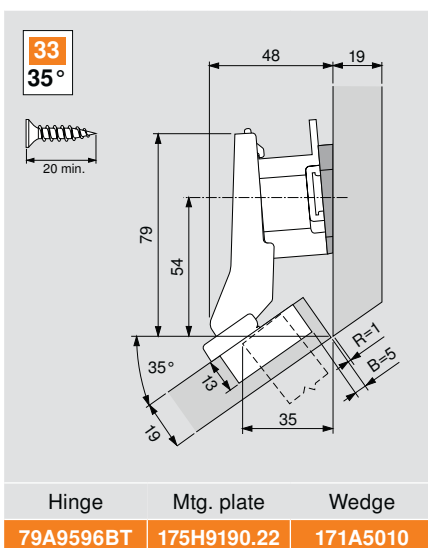
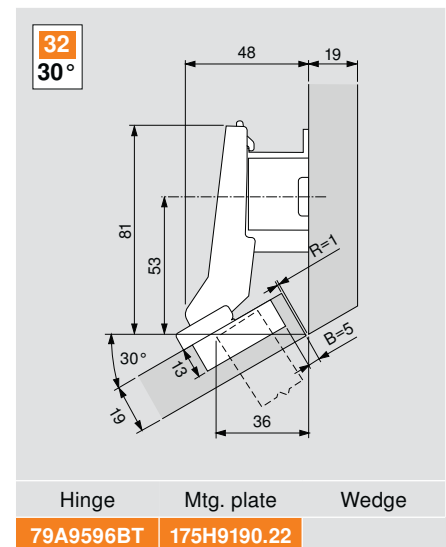
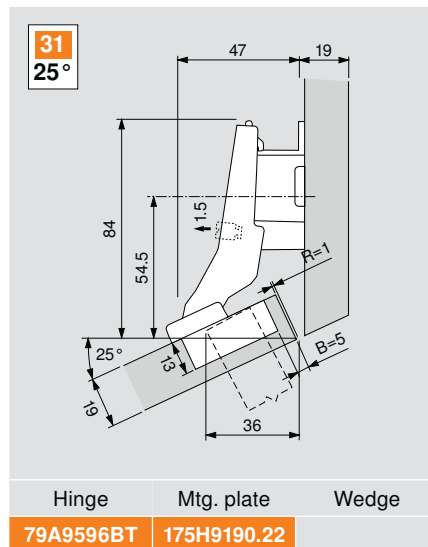
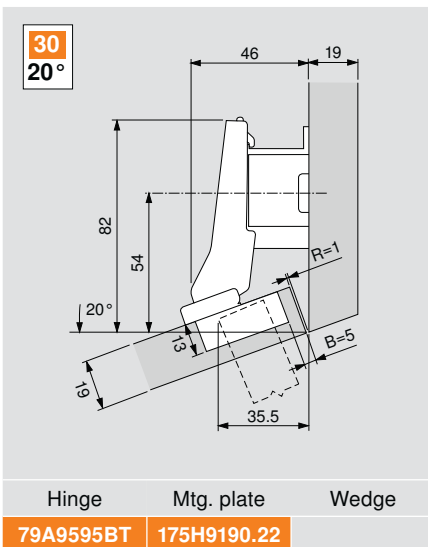
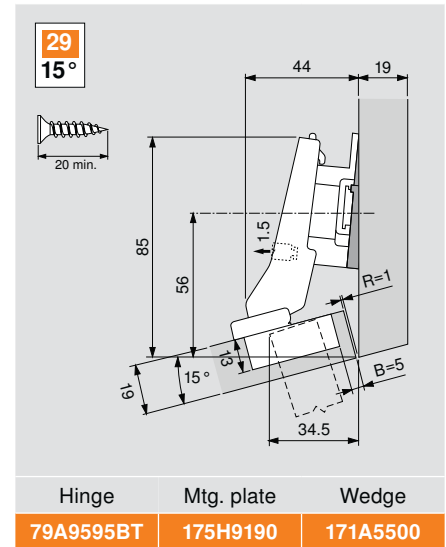
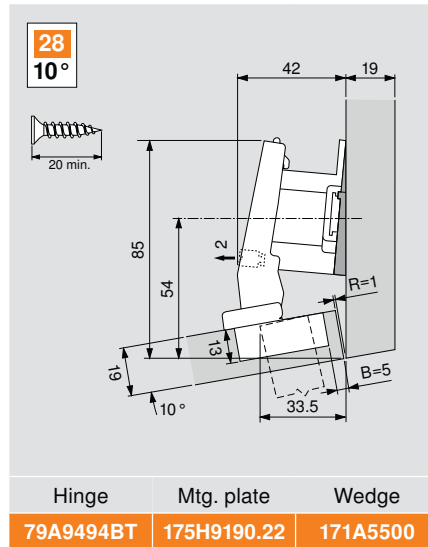
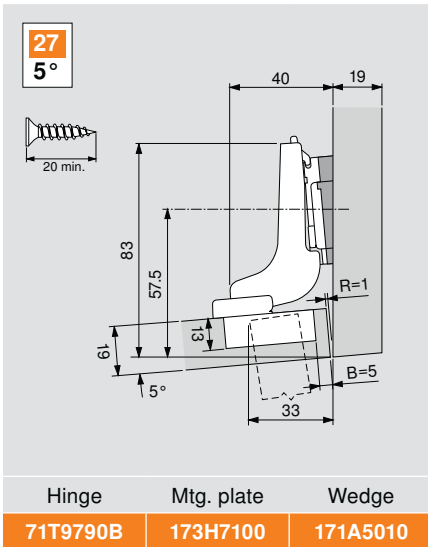


Hinge	Mtg. plate	Wedge
79A9698BT	173H7100	—

Angled

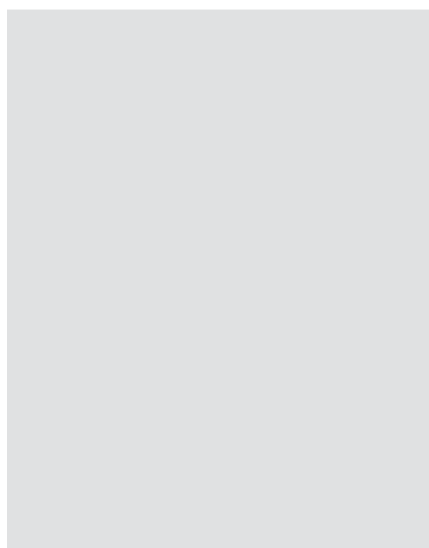
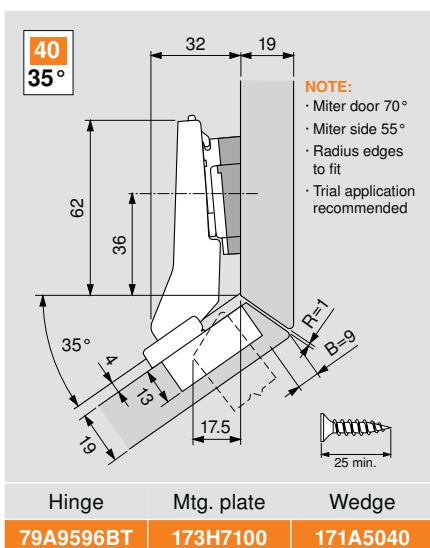
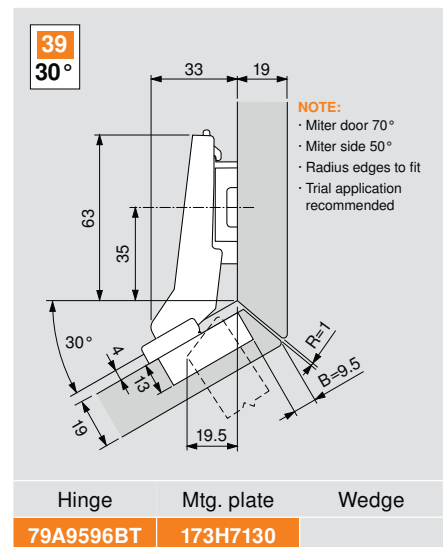
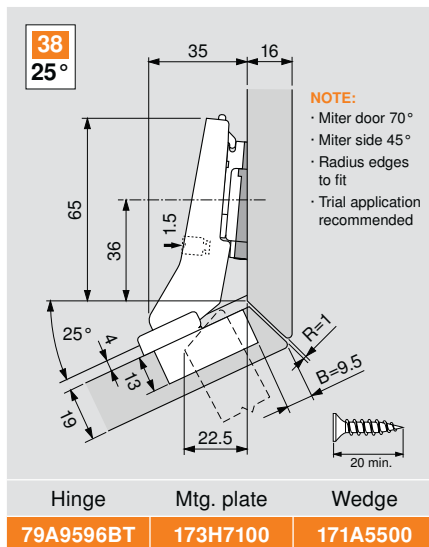
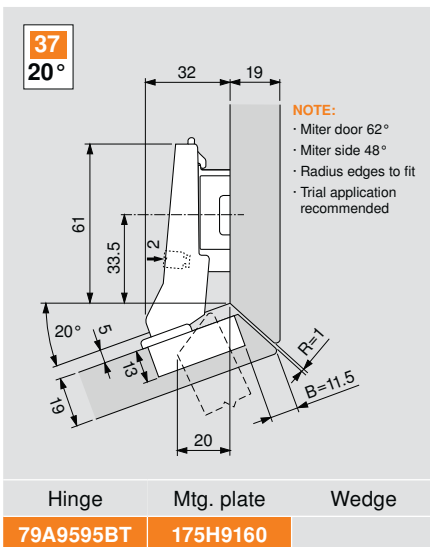
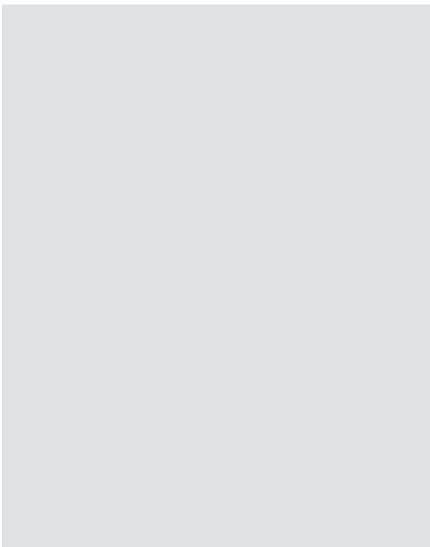
Inset door specifications

Positive angle applications



Mitered corner specifications

Positive angle applications

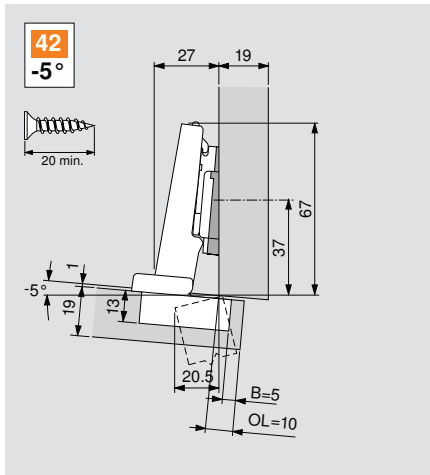


Angled

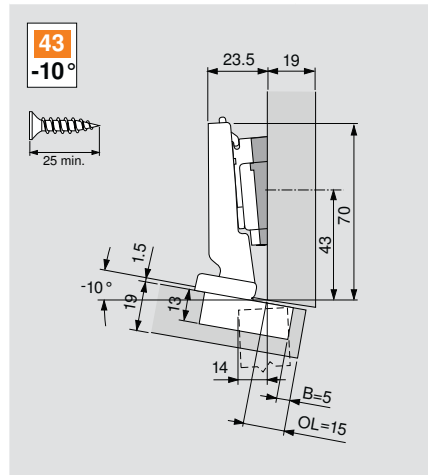
Maximum overlay specifications



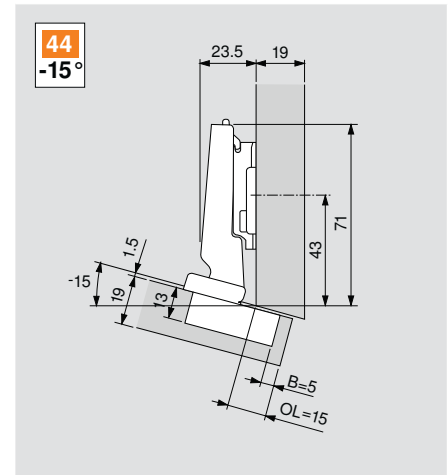
Negative angle applications



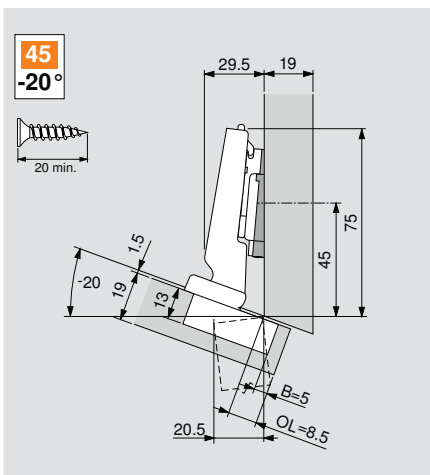
Hinge	Mtg. plate	Wedge
71T9590B	173H7100	171A5500



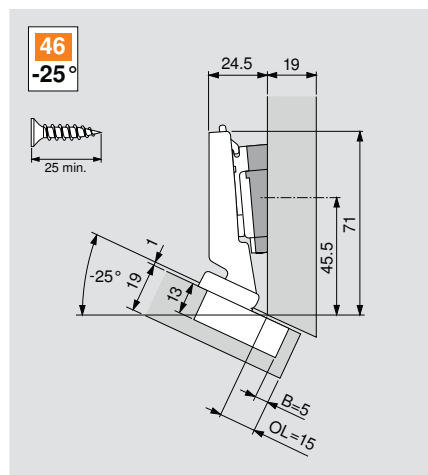
Hinge	Mtg. plate	Wedge
79A5493BT	173H7100	171A5010



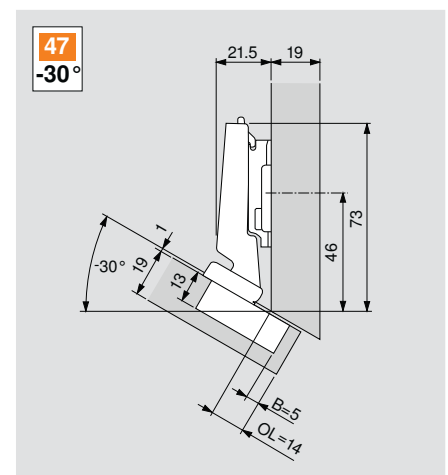
Hinge	Mtg. plate	Wedge
79A5493BT	173H7100	



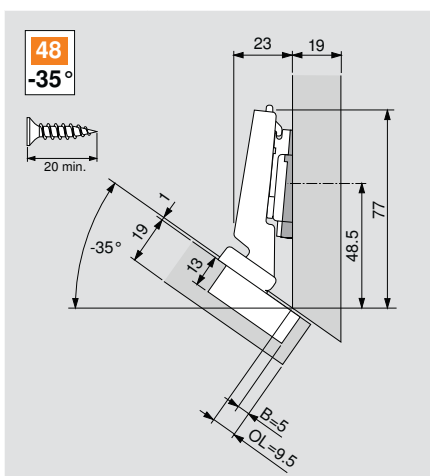
Hinge	Mtg. plate	Wedge
79A5493BT	173H7100	171A5500



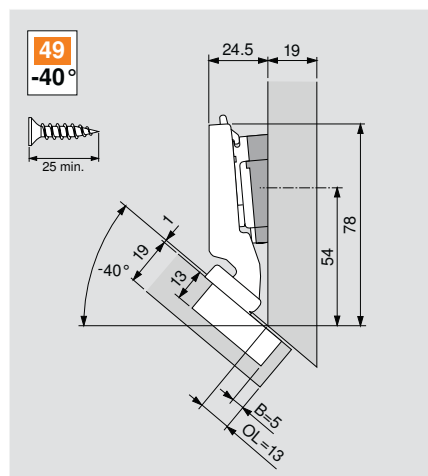
Hinge	Mtg. plate	Wedge
79A5491BT	173H7100	171A5040



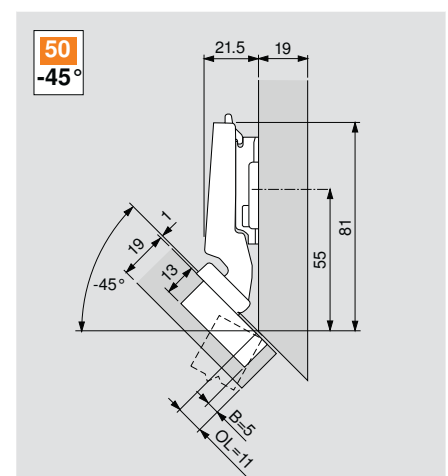
Hinge	Mtg. plate	Wedge
79A5491BT	173H7130	



Hinge	Mtg. plate	Wedge
79A5491BT	173H7100	171A5500



Hinge	Mtg. plate	Wedge
79A5490BT	173H7100	171A5040

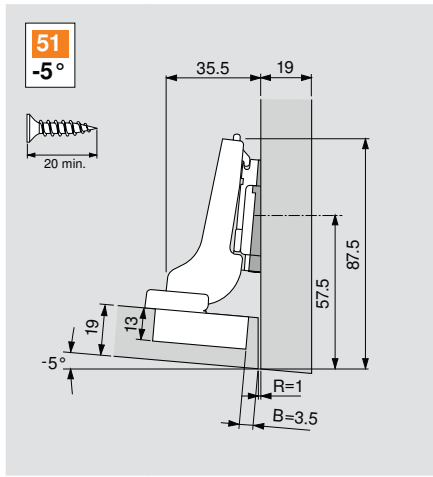


Hinge	Mtg. plate	Wedge
79A5490BT	173H7130	

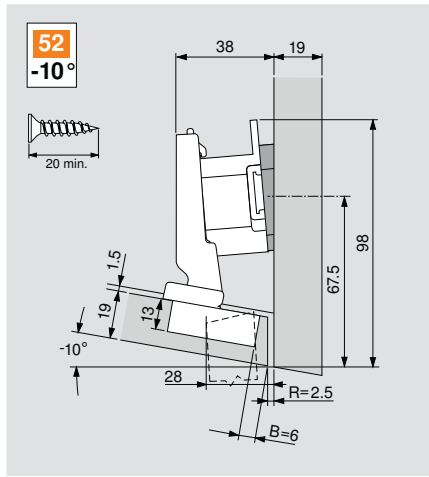
Inset door specifications



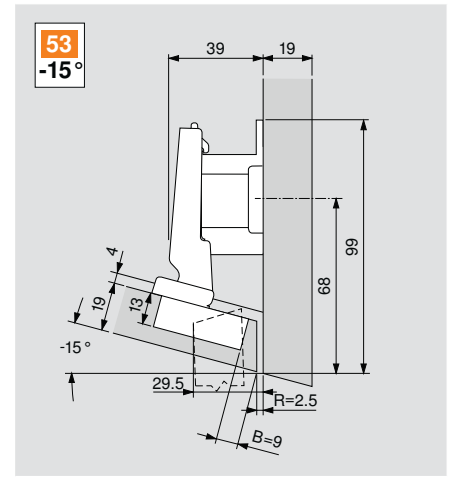
Negative angle applications



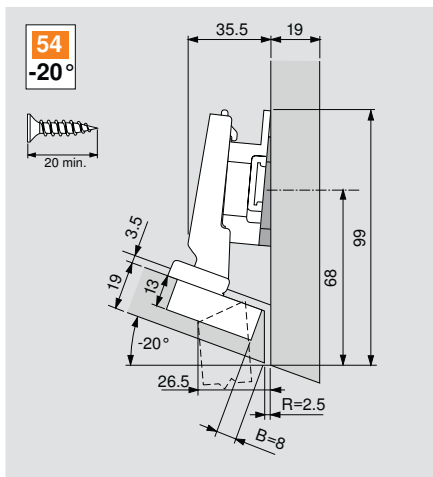
Hinge	Mtg. plate	Wedge
71T9690B	173H7100	171A5500



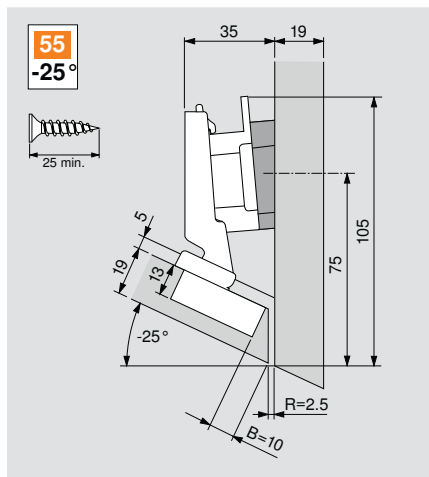
Hinge	Mtg. plate	Wedge
79A5493BT	175H7190	171A5010



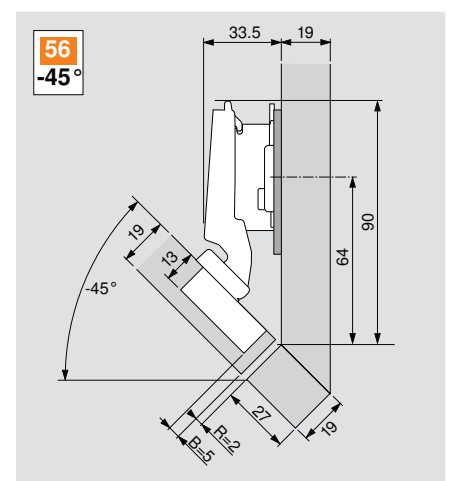
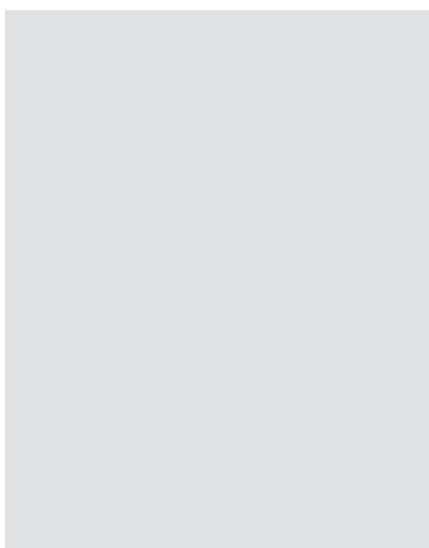
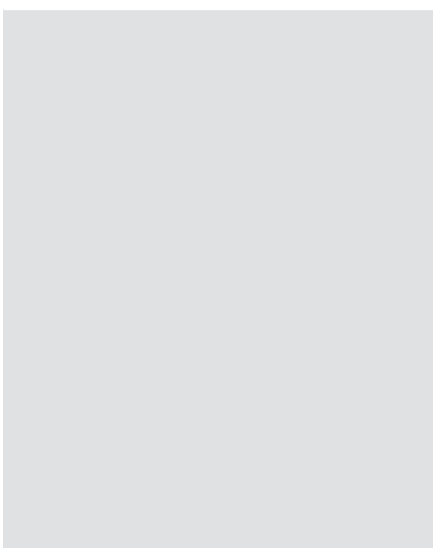
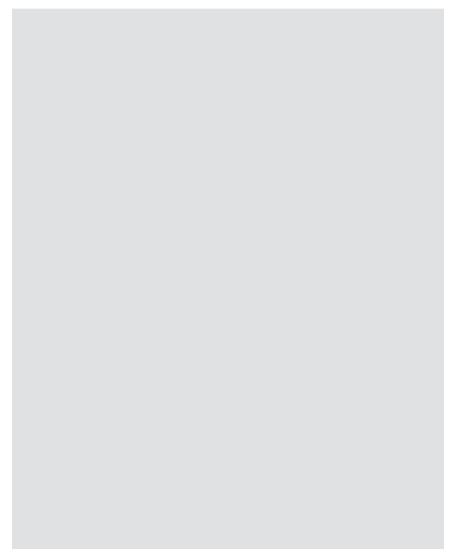
Hinge	Mtg. plate	Wedge
79A5493BT	175H9190.22	



Hinge	Mtg. plate	Wedge
79A5493BT	175H9160	171A5500



Hinge	Mtg. plate	Wedge
79A5491BT	175H7190	171A5070



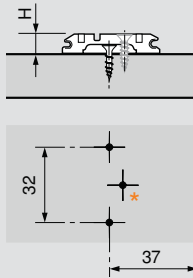
Hinge	Mtg. plate	Spacer
79A5490BT	175H7190	181.6130

Angled



Standard one-piece wing mounting plates

Wood screw

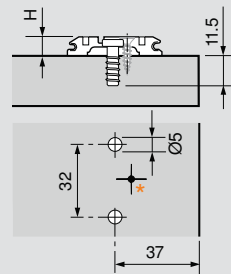


- Steel, nickel-plated
- Attached with #6 x 5/8" wood screws
- Height adjustment ± 3 mm

Part no.

0 plate height (H)	173L6100
3 plate height (H)	173L6130

System screw

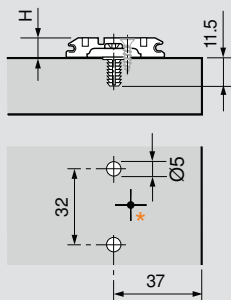
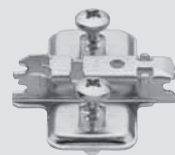


- Steel, nickel-plated
- Attached with pre-mounted $\text{Ø}5$ mm system screws (668.1450.EH)
- Height adjustment ± 3 mm

Part no.

0 plate height (H)	173L8100
3 plate height (H)	173L8130

EXPANDO

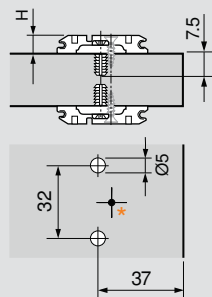
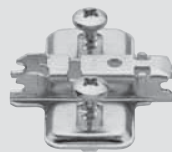


- Steel, nickel-plated
- Attached with pre-mounted screws with EXPANDO dowels (618.1500)
- Height adjustment ± 2 mm

Part no.

0 plate height (H)	174E6100.01
3 plate height (H)	174E6130.01

EXPANDO (twin application)

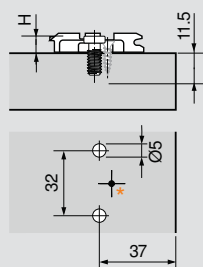


- Steel, nickel-plated
- Attached with pre-mounted screws with EXPANDO dowels for twin application (618.1500)
- Height adjustment ± 2 mm

Part no.

0 plate height (H)	174E610Z
--------------------	----------

System screw



- Zinc die-cast, nickel-plated
- Attached with pre-mounted $\text{Ø}5$ mm system screws (668.1450.EH)
- Height adjustment ± 3 mm

Part no.

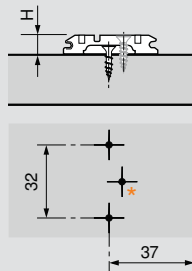
0 plate height (H)	175L8100
3 plate height (H)	175L8130
9 plate height (H)	175L8190

*Add additional wood screw if used with wide angled hinges



Cam adjustable wing mounting plates

Wood screw



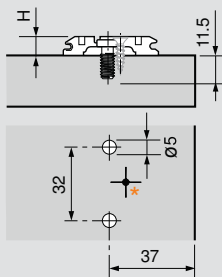
- Steel, nickel-plated
- Attached with #6 x 5/8" wood screws
- Cam height adjustment ± 2 mm

Part no.

0 plate height (H) **173H7100**

3 plate height (H) **173H7130**

Wood screw or system screw



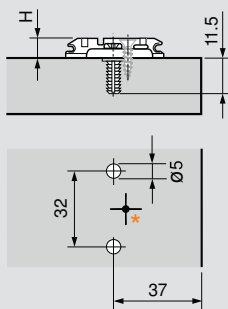
- Steel, nickel-plated
- Attached with #7 x 5/8" wood screws or $\text{Ø}5 \times 13$ mm system screws
- Cam height adjustment ± 2 mm

Part no.

0 plate height (H) **173H9100**

3 plate height (H) **173H9130**

EXPANDO



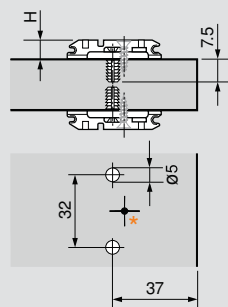
- Steel, nickel-plated
- Attached with pre-mounted screws with EXPANDO dowels (618.1500)
- Cam height adjustment ± 2 mm

Part no.

0 plate height (H) **174H7100E**

3 plate height (H) **174H7130E**

EXPANDO (twin application)

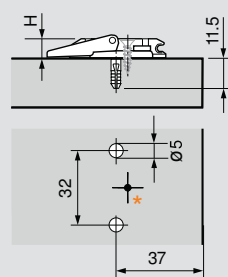


- Steel, nickel-plated
- Attached with pre-mounted screws with EXPANDO dowels for twin application (618.1500)
- Cam height adjustment ± 2 mm

Part no.

0 plate height (H) **174H710ZE**

INSERTA



- Steel (closing lever – zinc die-cast, nickel-plated)
- Tool-free assembly with INSERTA self-anchoring feature
- Cam height adjustment ± 2 mm

Part no.

0 plate height (H) **174H7100I**

3 plate height (H) **174H7130I**

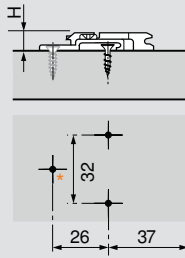
*Add additional wood screw if used with wide angled hinges

CLIP plates

CLIP mounting plates

Standard two-piece wing mounting plates

Wood screw

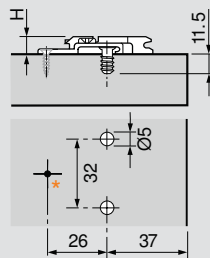


- Zinc die-cast, nickel-plated
- Attached with #6 x 5/8" wood screws
- Height adjustment ± 2 mm

Part no.

0 plate height (H)	175H7100
3 plate height (H)	175H7130
9 plate height (H)	175H7190

Wood screw or system screw



- Zinc die-cast, nickel-plated
- Attached with #7 x 5/8" wood screws or Ø5 x 13 mm system screws
- Height adjustment ± 2 mm

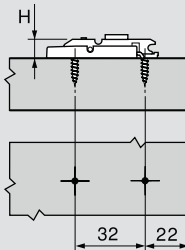
Part no.

0 plate height (H)	175H9100
3 plate height (H)	175H9130
6 plate height (H)	175H9160
9 plate height (H)	175H9190
18 plate height (H)	175H9190.22

* Add additional wood screw if used with wide angled hinges

Cam adjustable In-line mounting plates

Wood screw

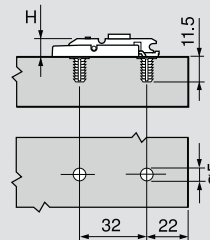
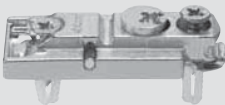


- Zinc die-cast, nickel-plated
- Attached with #6 x 5/8" wood screws
- Cam height adjustment ± 2 mm
- Use of mounting plate template recommended

Part no.

0 plate height (H)	175H5400
--------------------	-----------------

EXPANDO



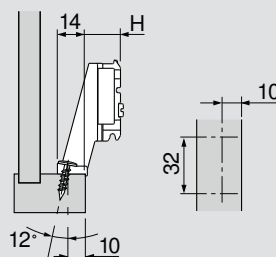
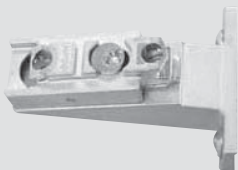
- Zinc die-cast, nickel-plated
- Attached with pre-mounted screws with EXPANDO dowels (618.1500)
- Cam height adjustment ± 2 mm
- Use of mounting plate template recommended

Part no.

0 plate height (H)	177H5400E
--------------------	------------------

Inset face frame adapter

Truss head screw



- Zinc die-cast, nickel-plated
- Attached with #8 x 3/4" truss head screws
- Can be used with applied bead molding
- Cam height adjustment ± 2 mm
- Use with half-cranked hinges only
- 170° hinges not recommended
- **Use of PlateMate required for installation**

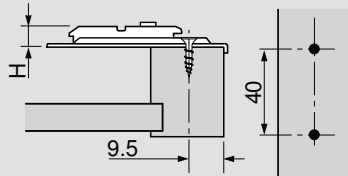
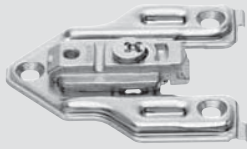
Part no.

9 plate height (H)	175H5030.21
--------------------	--------------------



Face frame adapter plates

Cam adjustable center mount

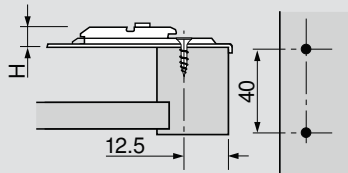


- Steel, zinc die-cast and nickel-plated
- Attached with #7 x 3/4" wood screws
- Center mount 9.5 (3/8")
- Cam height adjustment ±2 mm
- 175H6000 not for use with INSERTA hinges
- Use of PlateMate recommended

Part no.

0 plate height (H)	175H6000
3 plate height (H)	175H6030
4.5 plate height (H)	175H6040
6 plate height (H)	175H6060

Cam adjustable off-center mount

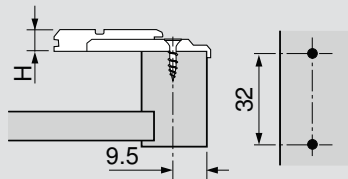
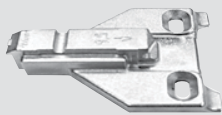


- Steel, zinc die-cast and nickel-plated
- Attached with #7 x 3/4" wood screws
- For use with INSERTA hinge cups
- Off-center mount 12.5 (1/2")
- Cam height adjustment ±2 mm
- Use of PlateMate recommended

Part no.

0 plate height (H)	175H6600
--------------------	----------

Center mount

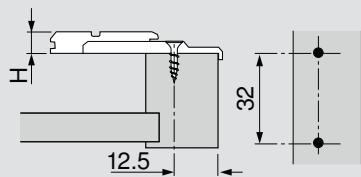
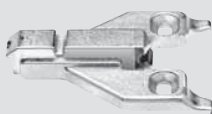


- Zinc die-cast, nickel-plated
- Attached with #7 x 3/4" wood screws
- Center mount 9.5 (3/8")
- Height adjustment ±2 mm
- Use of PlateMate recommended

Part no.

3 plate height (H)	175L6030.21
--------------------	-------------

Off-center mount

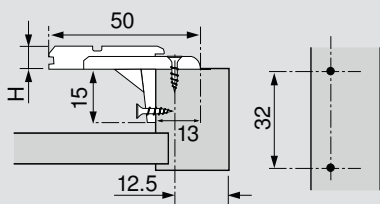


- Zinc die-cast, nickel-plated
- Attached with #7 x 3/4" wood screws
- Off-center mount 12.5 (1/2")
- Height adjustment ±2 mm
- Use of PlateMate recommended

Part no.

0 plate height (H)	175L6600.22
3 plate height (H)	175L6630.22
6 plate height (H)	175L6660.22

With flange



- Recommended when using the 170° and zero protrusion hinges on face frame cabinets
- Zinc die-cast, nickel-plated
- Attached with #7 x 3/4" wood screws
- Off-center mount 12.5 (1/2")
- Height adjustment ±2 mm
- Use of PlateMate recommended

Part no.

0 plate height (H)	175L6600.24
--------------------	-------------





Soft closing solutions for every application

BLUMOTION for doors soft closing mechanisms can be quickly integrated into cabinets. It will work for almost any application and does not require any change to the hinge assembly.

BLUMOTION redefines the phrase “quality of motion”. The system is quick and easy to install and once installed, creates a quiet closing motion.

The braking action increases with the force of the door allowing it to close softly. This technology enables BLUMOTION to adjust itself automatically to each door size, weight and closing speed.

- Soft closing motion every time due to adaptability
- The integrated overload safety feature protects the BLUMOTION system from damage through abuse
- BLUMOTION lasts the lifetime of the cabinet – ensuring that your customers remain satisfied



Hinge planning tools

Blum has downloadable Excel® spreadsheets that help determine the BLUMOTION that is right for your application. Available at blum.com/us/planning



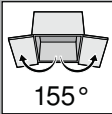
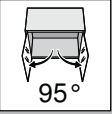
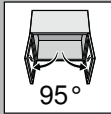
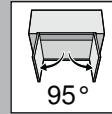
BLUMOTION for doors overview for Euro hinges

Recommended
BLUMOTION



		Standard hinge	Standard hinge	Standard hinge	Standard hinge	Standard hinge	Standard hinge	Thick door hinge
Overlay		Straight-arm hinge, 0 plate 973A0500.01	Straight-arm hinge, 0 plate 973A0500.01	Straight-arm hinge, 0 plate 973A0500.01	Straight-arm hinge, 0 plate 973A0500.01	Straight-arm hinge, 0 plate 973A0500.01	Straight-arm hinge, 0 plate 973A6000	Straight-arm hinge, 0 plate 973A0500.01
		971Axxxx	971Axxxx	971Axxxx	971Axxxx	971Axxxx	971Axxxx	971Axxxx
		970A1002	970A1002	970A1002	970A1002	970A1002	970A1002	970A1002
Partial/twin overlay		Straight-arm hinge, 9 plate 973A0500.01	Straight-arm hinge, 9 plate 973A0500.01	Straight-arm hinge, 9 plate 973A0500.01	Straight-arm hinge, 9 plate 973A0500.01	Straight-arm hinge, 9 plate 973A0500.01	Straight-arm hinge, 9 plate 973A6000	Straight-arm hinge, 9 plate 973A0500.01
		Half-cranked hinge, 0 plate 973A0600	Half-cranked hinge, 0 plate 973A0600		Half-cranked hinge, 0 plate 973A0600		Half-cranked hinge, 0 plate 973A6000	Half-cranked hinge, 0 plate 973A0600
		970A1002	970A1002	970A1002	970A1002	970A1002	970A1002	970A1002
Inset		Straight-arm hinge, 18 plate 973A0500.01	Straight-arm hinge, 18 plate 973A0500.01	Straight-arm hinge, 18 plate 973A0500.01	Straight-arm hinge, 18 plate 973A0500.01	Straight-arm hinge, 18 plate 973A0500.01	Straight-arm hinge, 18 plate 973A6000	Straight-arm hinge, 18 plate 973A0500.01
		Half-cranked hinge, 9 plate 973A0600	Half-cranked hinge, 9 plate 973A0600		Half-cranked hinge, 9 plate 973A0600		Half-cranked hinge, 9 plate 973A6000	Half-cranked hinge, 9 plate 973A0600
		Full-cranked hinge, 0 plate 973A0700	Full-cranked hinge, 0 plate 973A0700					Full-cranked hinge, 0 plate 973A0700
		970A1002	970A1002	970A1002	970A1002	970A1002	970A1002	970A1002

NOTE: The overview chart shows all possible BLUMOTION applications. The recommended BLUMOTION part number is marked in orange.

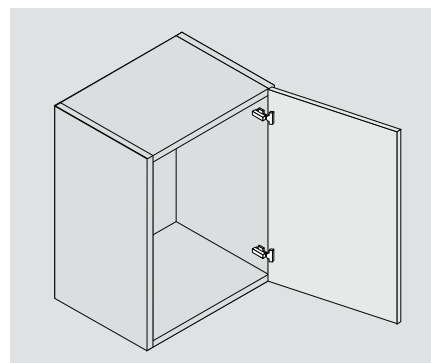
 155°	 100°	 120°	 95°	 95°	 95°	 95°/110°
Zero protrusion hinge	Standard hinge	Aluminum door hinge	Glass door hinge	Mini hinge	Blind corner hinge - overlay and inset	Angled hinges: +30 II, +45 I,+45 II
Straight-arm hinge, 0 plate	Straight-arm hinge, 0 plate	Straight-arm hinge, 0 plate				
973A7000	973A0500.01	973A0500.01				
971Axxxx	971Axxxx		971Axxxx	971Axxxx		
970A1002	970A1002	970A1002	970A1002	970A1002	970A1002	970A1002
Straight-arm hinge, 9 plate	Straight-arm hinge, 9 plate	Straight-arm hinge, 9 plate				
973A7000	973A0500.01	973A0500.01				
	Half-cranked hinge, 0 plate					
	973A0600					
970A1002	970A1002	970A1002	970A1002	970A1002	970A1002	970A1002
Straight-arm hinge, 18 plate	Straight-arm hinge, 18 plate	Straight-arm hinge, 18 plate				
973A7000	973A0500.01	973A0500.01				
	Half-cranked hinge, 9 plate					
	973A0600					
	Full-cranked hinge, 0 plate					
	973A0700					
970A1002	970A1002	970A1002	970A1002	970A1002	970A1002	970A1002

BLUMOTION 973A for CLIP top and CLIP hinges

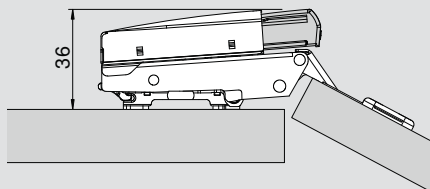


Features

- Soft-closing feature for CLIP top and CLIP hinges
- Offers the same quality of motion as drawer systems with BLUMOTION
- Automatically adjusts to the closing force of the door
- Simple attachment to the hinge arm
- Designed for use with Blum Euro hinges only
- Nickel-plated steel and gray nylon



For straight-arm hinges



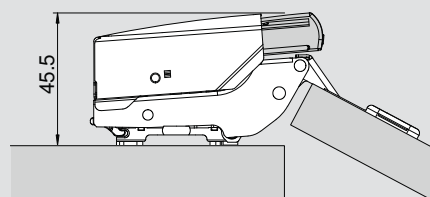
- CLIP top 107°
- CLIP top 110°
- CLIP top 110°+
- CLIP top 120°
- CLIP top 120°+
- CLIP top 95° thick door
- CLIP top 120° aluminum door
- CLIP 100°
- CLIP 107°

Part no.

Straight-arm

973A0500.01

For half-cranked arm hinges



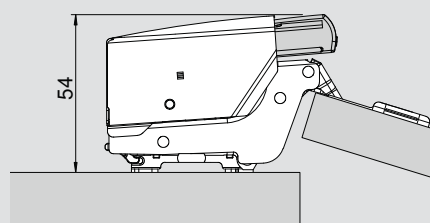
- CLIP top 107°
- CLIP top 110°
- CLIP top 120°
- CLIP top 95° thick door
- CLIP 100°
- CLIP 107°

Part no.

Half-cranked arm

973A0600

For full-cranked arm hinges



- CLIP top 107°
- CLIP top 110°
- CLIP top 95° thick door
- CLIP 100°

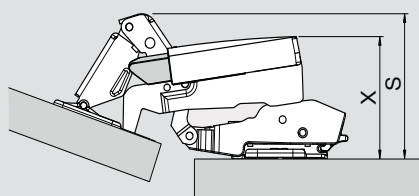
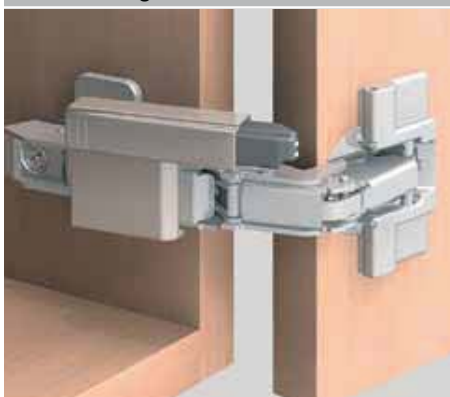
Part no.

Full-cranked arm

973A0700

Specifications

For 170° hinges



- CLIP top 170° — straight-arm
- CLIP top 170° — half-cranked

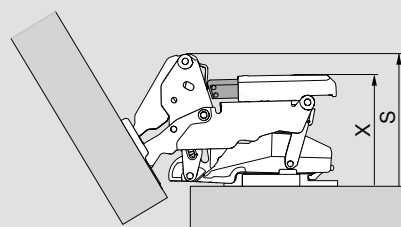
Hinge	X	S
CLIP top 170° straight-arm	49	65 max.
CLIP top 170° half-cranked	68	75 max.

Part no.

NOTE: Additional clearance of 41 mm needed above and below for interior roll-out

973A6000

For 155° hinges



- CLIP top 155° — straight-arm
- CLIP top 155° — half-cranked

Hinge	X	S
CLIP top 155° straight-arm	53	61
CLIP top 155° half-cranked	63	71

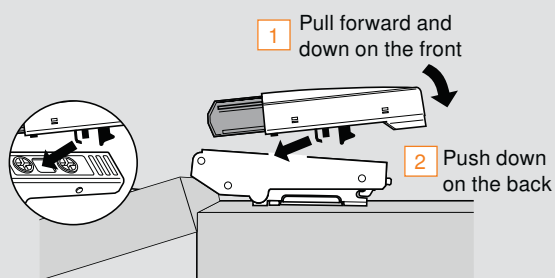
Part no.

NOTE: Additional clearance of 41 mm needed above and below for interior roll-out

973A7000

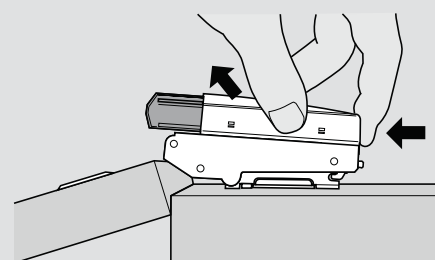
Attachment

Attach to the square hole in the hinge arm



Removal

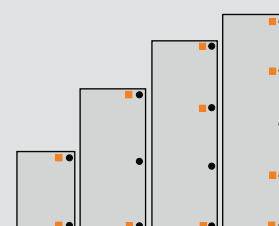
Pull forward and up simultaneously



BLUMOTION per door

- BLUMOTION 973A is designed for one BLUMOTION per self-closing hinge, however, quantity may vary depending on door size and weight
- Small or light doors may only require one BLUMOTION
- Trial application recommended

- BLUMOTION 973A
- Hinges



BLUMOTION 971A for Euro hinges

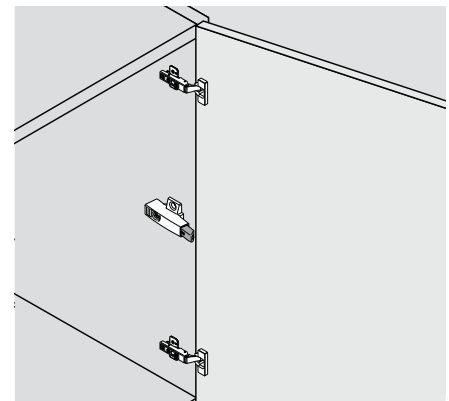
Product



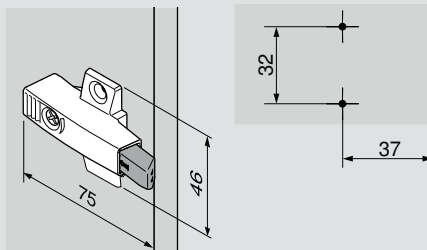
Description

- Soft-closing feature for CLIP top and CLIP straight-arm hinges
- Offers the same quality of motion as drawer systems with BLUMOTION
- Adjustable to various door sizes and weights (+3/-7 mm range)
- Installed onto hinge-side panel
- For use with straight-arm hinge and either 0 mm or 3 mm mounting plate only
- Nickel-plated steel and gray nylon

Application



Wing plate (screw-on)

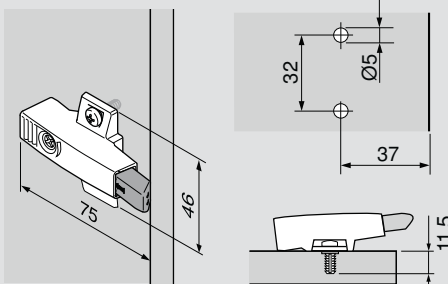


- 37 mm setback, 32 mm apart
- Attach with #6 x 5/8" wood screws

Part no.

0 mm	971A0500
Installation screw	606N or 606P

Wing plate (EXPANDO)

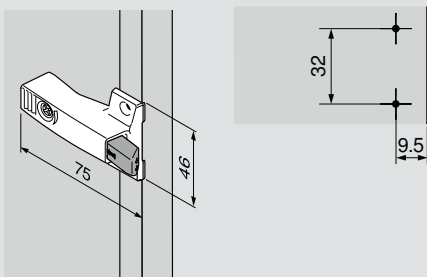


- 37 mm setback, 32 mm apart
- Attached with pre-mounted screws with 5 mm EXPANDO dowels

Part no.

0 mm	971A05E0
------	-----------------

Face frame adapter plate (screw-on)



- 9.5 mm setback, 32 mm apart
- Attach with #6 x 5/8" wood screws

Part no.

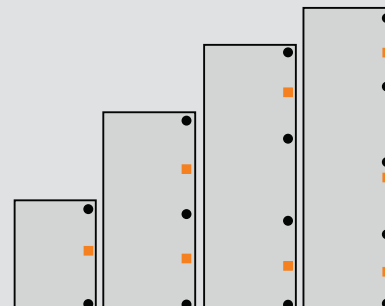
0 mm	971A0700
3 mm	971A2700
Installation screw	606N or 606P

Specifications

BLUMOTION per door

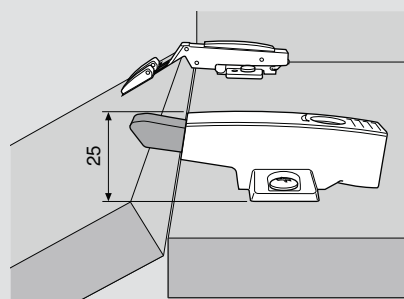
- For optimum BLUMOTION effect, BLUMOTION 971A should be installed onto the hinge side panel centered between the two hinges
- Tall or heavy doors may require an additional BLUMOTION 971A between the hinges
- Trial application recommended

- BLUMOTION 971A
- Hinges



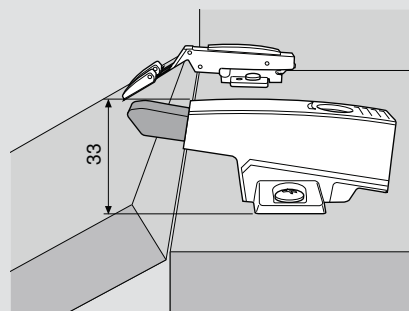
0 mm BLUMOTION application

For all hinges with a straight-arm and a 0 mm mounting plate.



3 mm BLUMOTION application

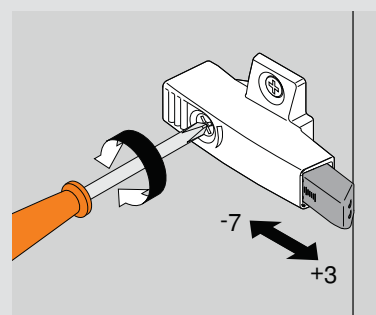
For all hinges with a straight-arm and a 3 mm mounting plate.



NOTE: 95° thick door straight-arm hinge requires 3 mm BLUMOTION

Adjustment

Use a Phillips or POZI screwdriver to adjust the contact point in or out (+3/-7 mm).
Adjust out for larger, heavier doors or adjust in for smaller, lighter doors.



BLUMOTION 970A for Euro hinges

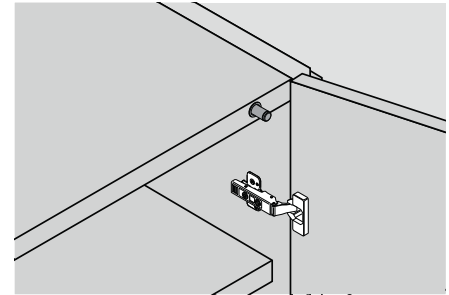
Product



Description

- Soft-closing feature for CLIP top and CLIP hinges
- Offers the same quality of motion as drawer systems with BLUMOTION
- Automatically adjusts to the closing force of the door
- Installed into the top and/or bottom panel or with adapter plates on hinge-side
- Gray nylon

Application



BLUMOTION 970A



Part no.

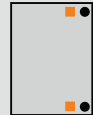
BLUMOTION 970A

970A1002

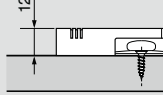
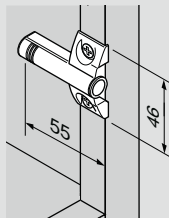
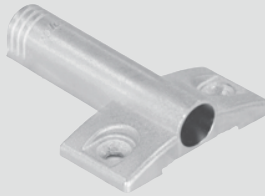
BLUMOTION per door

- BLUMOTION 970A is designed for two BLUMOTION per door, however, one may be enough depending on door size and weight
- Small or light doors may only require one BLUMOTION
- Trial application recommended

- BLUMOTION 970A
- Hinges



Face frame adapter (screw-on)



- 9.5 mm setback, 32 mm apart
- Can also be used in panel cabinets
- Attach with #6 x 5/8" wood screws
- Nickel-plated steel

Part no.

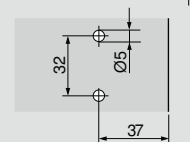
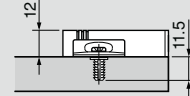
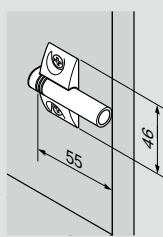
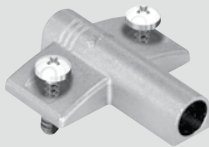
Screw-on

970.5701

Installation screw

606N or 606P

37/32 mm adapter (EXPANDO)



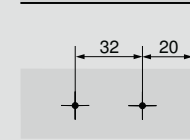
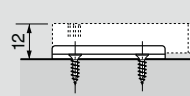
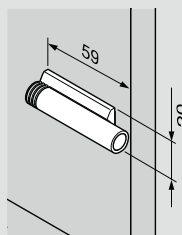
- 37 mm setback, 32 mm apart
- EXPANDO version installs with pre-attached screws
- Nickel-plated steel

Part no.

EXPANDO

970.55E1

In-line adapter (screw-on)



- 20 mm setback, 32 mm apart
- Two-piece design
- Attach with #6 x 5/8" wood screws
- Nickel-plated steel and gray nylon

Part no.

Screw-on

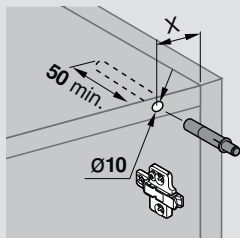
970.5201

Installation screw

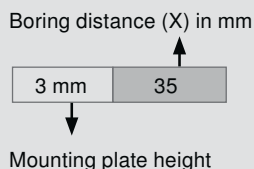
606N or 606P

BLUMOTION 970A

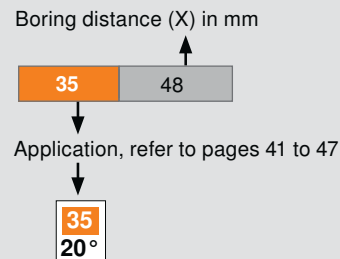
The charts below provide the boring distance based on the application and mounting plate height.



Standard applications



For angled applications



Standard application

	Overlay boring distance		Twin boring distance		Inset boring distance		Inset with straight-arm boring distance	
	Mounting plate height		Mounting plate height		Mounting plate height		Mounting plate height	
	0 mm	32	0 mm	41	0 mm	50	18 mm	50
	3 mm	35	3 mm	44	3 mm	53		
	6 mm	38	6 mm	47				
	9 mm	41	9 mm	50				

Blind corner applications

	Inset blind corner boring distance		Overlay blind corner boring distance	
	Mounting plate height		Mounting plate height	
			0 mm	32
	3 mm	51	3 mm	35
			6 mm	38

Angled applications (reference angle applications page 41 to 47)

	Max. overlay boring dist.		Partial overlay boring dist.		Corner merge boring dist.		Inset boring dist.		Mitered corner boring dist.	
5°	1	33	10	33	19	48	27	48	36	45
10°	2	33	11	33	20	48	28	48	37	45
15°	3	33	12	33	21	48	29	48	38	45
20°	4	33	13	37	22	48	30	48	39	45
25°	5	33	14	37	23	48	31	48	40	45
30°	6	33	15	41	24	48	32	48	41	45
35°	7	33	16	41	25	48	33	48		
40°	8	33	17	41			34	48		
45°	9	33	18	41	26	48	35	48		
-5°	42	37					51	48		
-10°	43	33					52	54		
-15°	44	33					53	54		
-20°	45	37					54	54		
-25°	46	33					55	54		
-30°	47	33								
-35°	48	37								
-40°	49	37								
-45°	50	37					56	54		



Face frame hinges for the life of your cabinet

COMPACT hinges are available for partial and full overlay doors.
Some advantages of COMPACT hinges are:

- Small profile for face frame cabinets
- BLUMOTION soft close available
- 38/39 series
 - Nickel-plated steel construction
 - 38N and 38C/39C: three-dimensional adjustment
 - 38.: height adjustment
- 33 series
 - Zinc die-cast, nickel-plated steel construction
 - Two-dimensional adjustment
 - Wide variety of small and large overlays
- COMPACT BLUMOTION hinges with integrated soft close is also available



Hinges planning tools

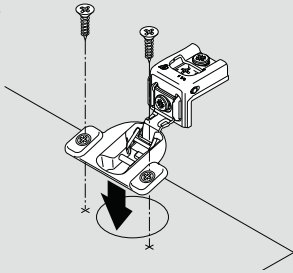
Blum has downloadable Excel® spreadsheets that help determine the hinge that is right for your application. Available blum.com/us/planning



COMPACT general specifications

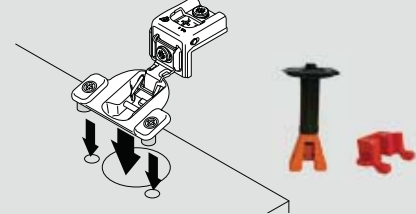
Screw-on hinge attachment

Use #6 wood screws



Press-in hinge attachment

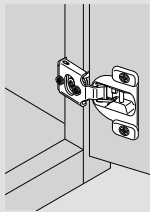
Pre-attached Ø8 dowels installed with Blum knock-in tool or MINIPRESS with COMPACT insertion ram.



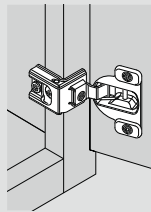
Mounting plate attachment

One-piece assembly

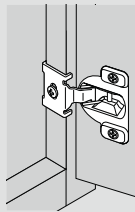
COMPACT 38N
wrap or edge



COMPACT 38C/39C
wrap around

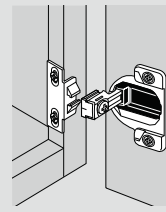


COMPACT 38.
wrap or edge

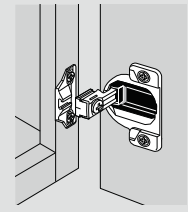


Two-piece assembly

COMPACT 33
edge mount

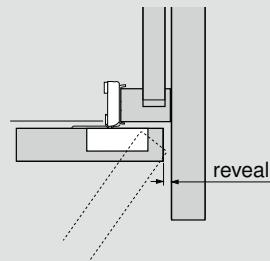


COMPACT 33
face mount



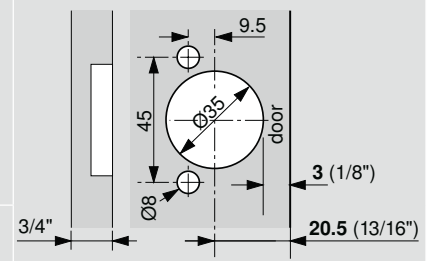
Minimum reveal

A minimum reveal per door is required to keep the door from binding and varies depending on door thickness (see minimum reveal table for each hinge).



Hinge cup centerpoint

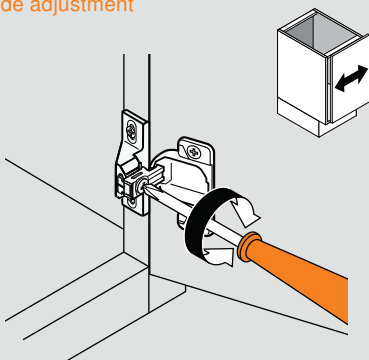
Cup centerpoint and MINIPRESS/MINIDRILL setback position is **20.5 (13/16")** for COMPACT hinges.



NOTE: Maximum door thickness 3/4"

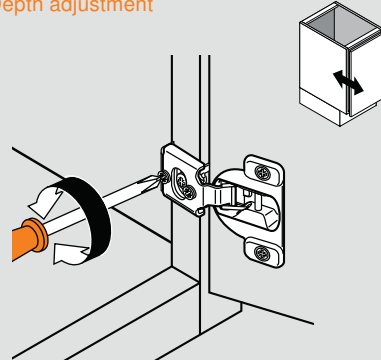
Three-way independent adjustment

Side adjustment



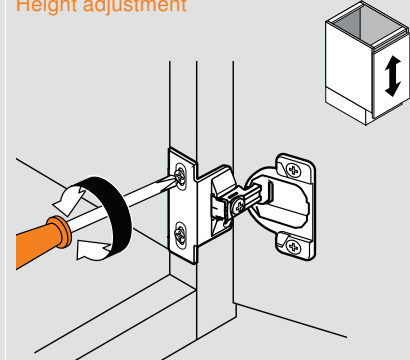
Side adjustment is possible on all COMPACT hinges except 38. series. COMPACT 38N, 38C and 39C have cam side adjustment.

Depth adjustment



COMPACT 38N, 38C and 39C have cam depth adjustment.

Height adjustment



All COMPACT hinges are independently height adjustable.

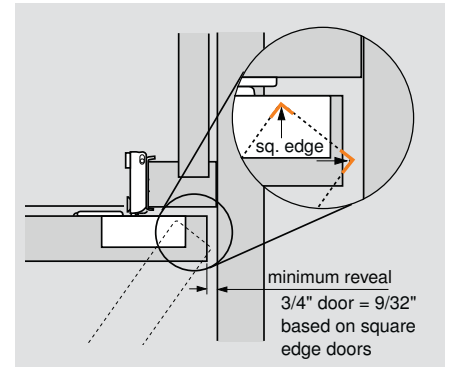
COMPACT 38N hinges for partial overlay



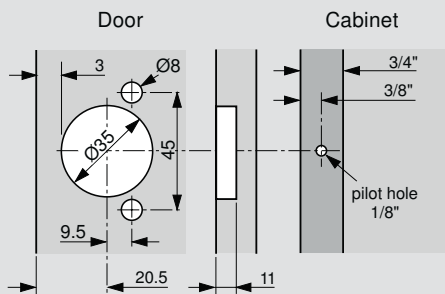
Features

- 105° opening angle
- One piece assembly
- Wraparound or edge mount
- 7/16" cup depth
- +/- 1/8" height adjustment
- +/- 1/16" side adjustment
- +3/32", -1/32" cam depth adjustment
- Can be used with BLUMOTION 971A9700
- Steel, nickel-plated

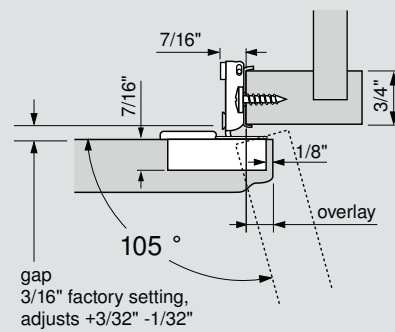
Minimum reveal



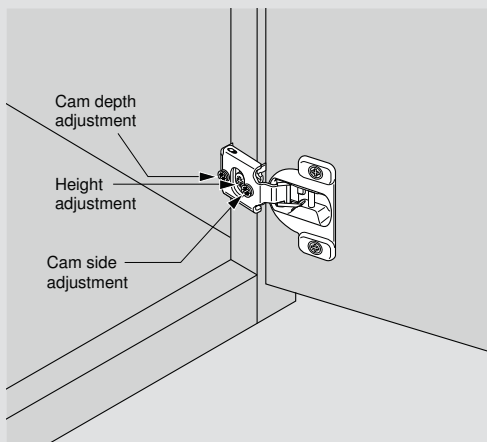
Boring pattern



Dimensions



Adjustment



Wraparound hinges



Overlay	Screw-on	47 Press-in
3/8"	38N355C.06	38N358C.06
1/2"	38N355C.08	38N358C.08
5/8"	38N355C.10	38N358C.10
3/4"	38N355C.12	38N358C.12

Edge mount hinges



Overlay	Screw-on	47 Press-in
1/2"	38N355CE08	38N358CE08

Installation screw

Truss head installation screw	834TH
-------------------------------	-------

Calculating door protrusion

Door overlay	Door protrusion
3/8"	1/4"
1/2"	1/8"
5/8"	0
3/4"	0

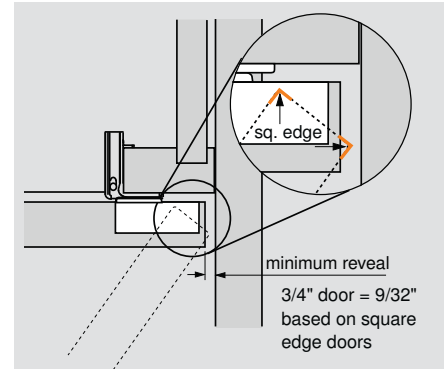
COMPACT 38C hinges for full overlay



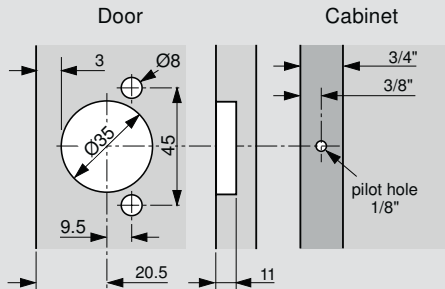
Features

- 107° opening angle
- One piece assembly
- Wraparound mount
- 7/16" cup depth
- +/- 1/8" height adjustment
- +/- 1/16" side adjustment
- +3/32", -1/32" cam depth adjustment
- Can be used with BLUMOTION 971A9700
- Steel, nickel-plated

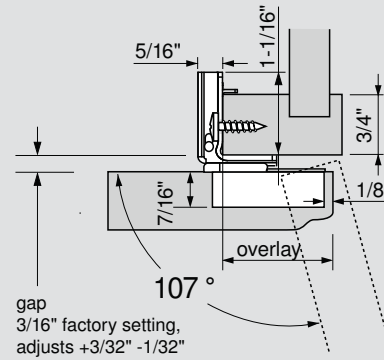
Minimum reveal



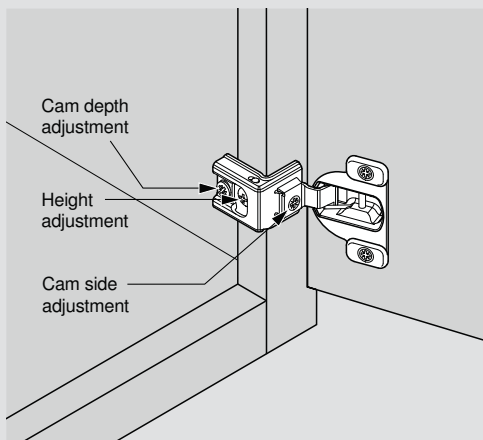
Boring pattern



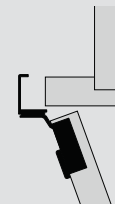
Dimensions



Adjustment



Wraparound hinges



Overlay	Screw-on	47	Press-in
1-1/4"	38C355C.20		38C358C.20
1-5/16"			38C358C.21
1-3/8"			38C358C.22
1-1/2"			38C358C.24
1-9/16"			38C358C.25

Installation screw

Truss head installation screw	834TH
-------------------------------	-------

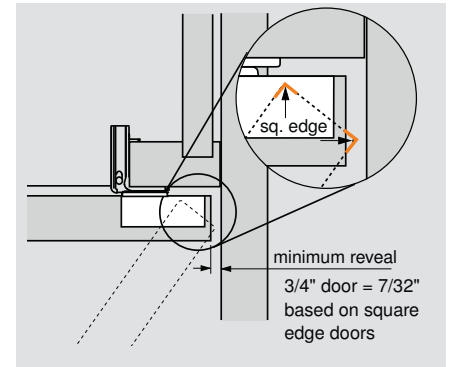
COMPACT 39C hinges for full overlay



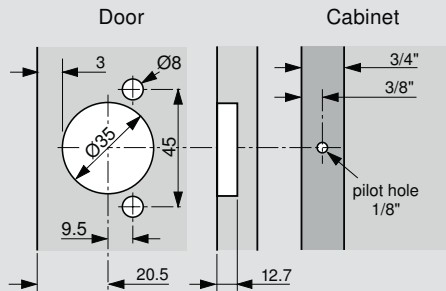
Features

- 110° opening angle
- One piece assembly
- Wraparound mount
- 1/2" cup depth
- +/- 1/8" height adjustment
- +/- 1/16" side adjustment
- +3/32", -1/32" cam depth adjustment
- Can be used with BLUMOTION 971A9700
- Steel, nickel-plated

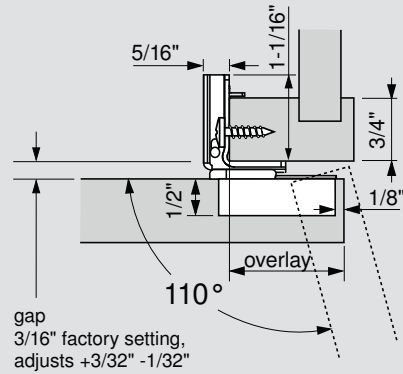
Minimum reveal



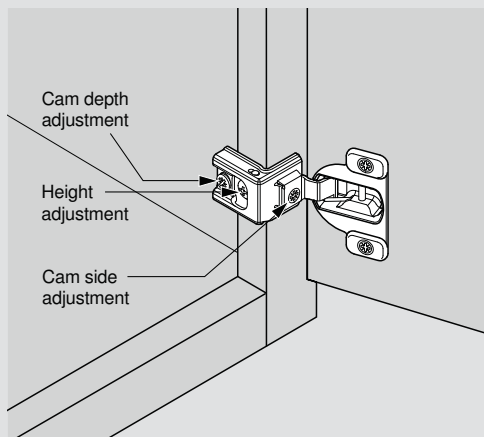
Boring pattern



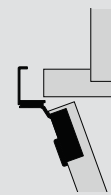
Dimensions



Adjustment



Wraparound hinges



Overlay	Screw-on	47	Press-in
1"	39C355C.16		39C358C.16
1-1/4"	39C355C.20		39C358C.20
1-5/16"	39C355C.21		39C358C.21
1-3/8"	39C355C.22		39C358C.22
1-1/2"	39C355C.24		39C358C.24
1-9/16"			39C358C.25

Installation screw

Truss head installation screw

834TH

COMPACT

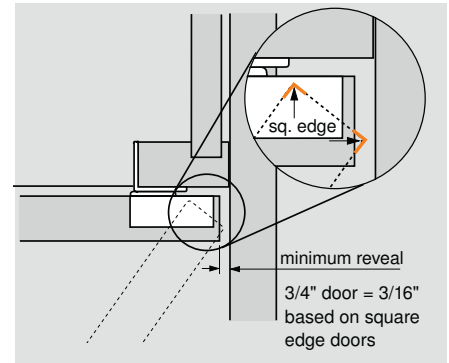
COMPACT 33 hinges



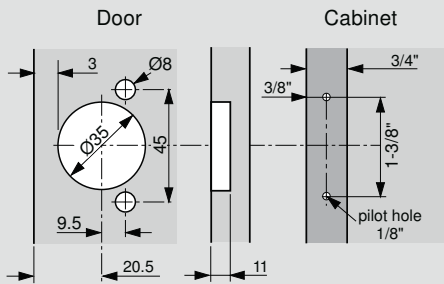
Features

- 110° opening angle
- Two piece assembly
- Edge or face mount
- 1/2" cup depth
- +/- 9/64" height adjustment
- - 1/8" side adjustment only
- Can be used with BLUMOTION 971A9700
- Zinc die-cast hinge and mounting plates

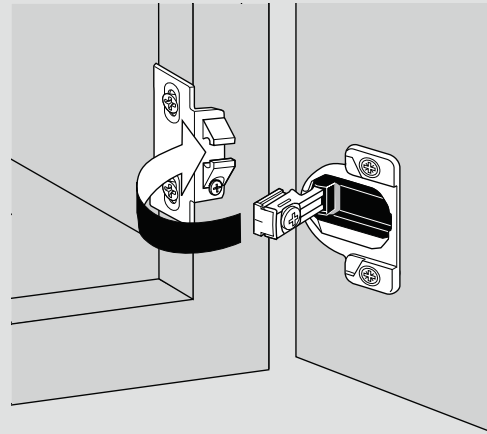
Minimum reveal



Boring pattern

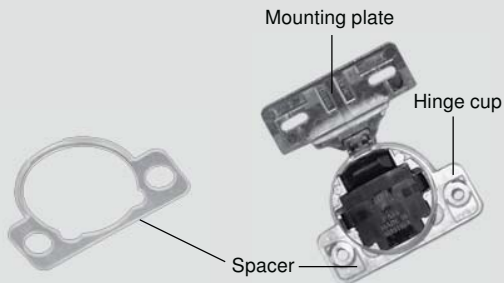


Mounting



COMPACT 33 spacer

- For use with profile or thin doors with a cup depth less than 13 mm
- 1.5 mm spacer placed under the hinge cup
- Clear nylon



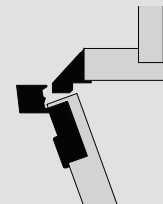
Part no.

COMPACT 33 spacer

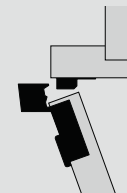
58.0890.1198

Attachment options

Edge mount



Face mount



Overlay	Screw-on	47	Press-in
	33.3600		33.3630

Installation screw

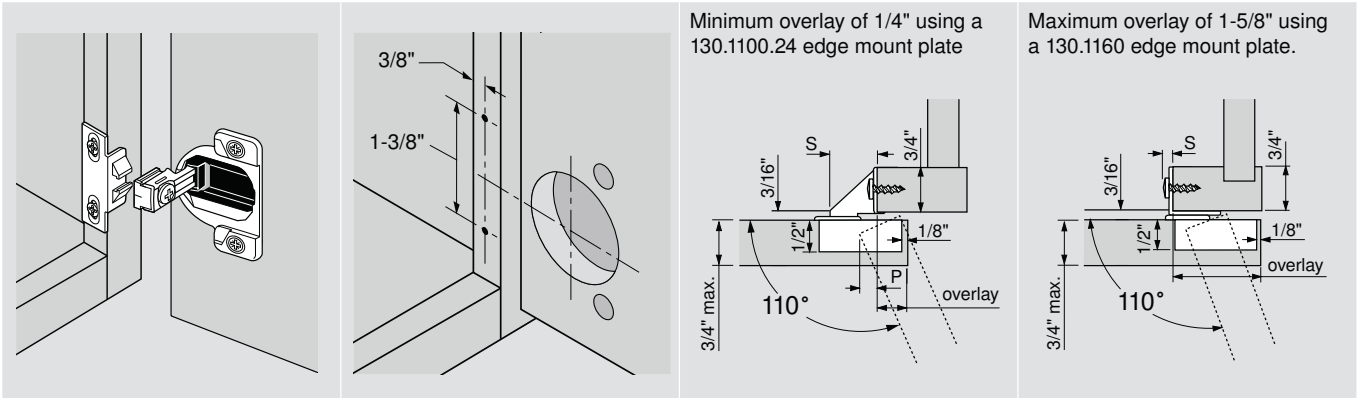
Wood screw

606N or 606P

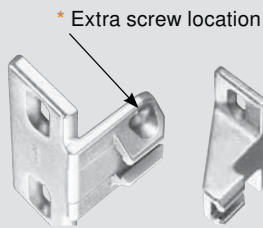
COMPACT 33 mounting plates



Edge mount specifications



Edge mount mounting plates



- Zinc die-cast, nickel-plated
- Attaches with #6 x 5/8" wood screws (606N or 606P)
- Overlays from 1/4" to 1-5/8"

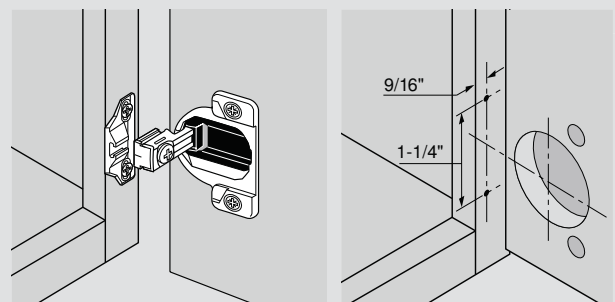
NOTE: An additional screw is required on mounting plates with 1-3/8" to 1-5/8" overlays to insure stability. Install after height adjustments have been made.

Overlay	Hinge arm protrusion (S)	Door protrusion (P)	Mounting plate
1/4"	1-1/8"	1/2"	130.1100.24
1/2"	7/8"	1/4"	130.1100.23
5/8"	3/4"	1/8"	130.1100.26
3/4"	5/8"	0	130.1100.22
1"	3/8"	0	130.1110.02
1-1/8"	1/4"	0	130.1120.02
1-1/4"	3/16"	0	130.1130.02
1-3/8" *	3/16"	0	130.1140.02
1-1/2" *	3/16"	0	130.1150.02
1-5/8" *	3/16"	0	130.1160

Face mount mounting plates



- Zinc die-cast, nickel-plated
- Attaches with #6 x 5/8" wood screws (606N or 606P)
- Overlays 1-3/8" or greater



Overlay
Face mount mounting plate

Part no.
133.0240

COMPACT

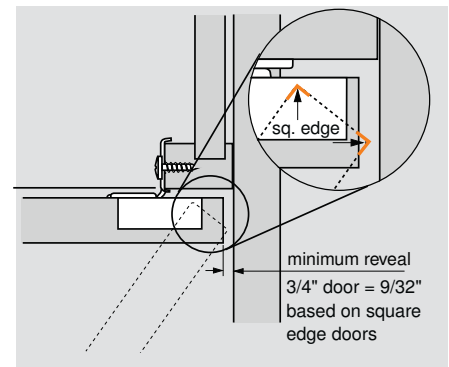
COMPACT 38. hinges for partial overlay



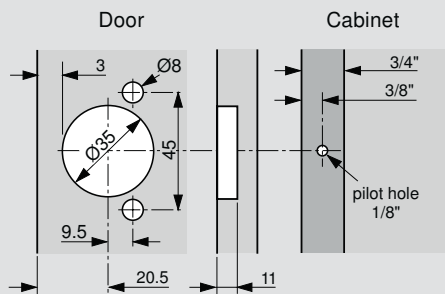
Features

- 105° opening angle
- One piece assembly
- Self-closing
- Wraparound mount
- 7/16" cup depth
- +/- 1/8" height adjustment
- Can be used with BLUMOTION 971A9700
- Steel, nickel-plated

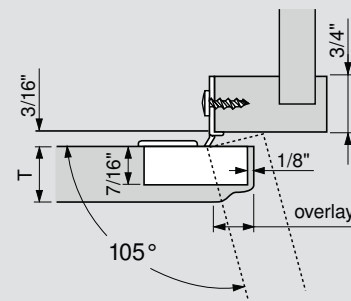
Minimum reveal



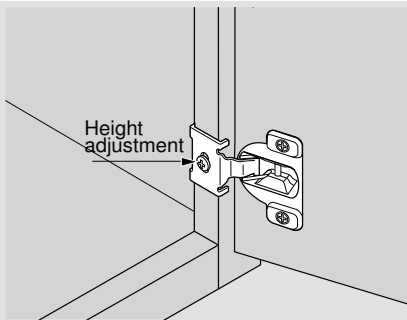
Boring pattern



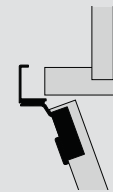
Dimensions



Adjustment



Wraparound



Overlay

1/2"

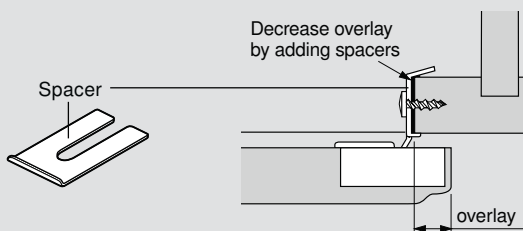


Press-in

38.3580.08

Distance spacer for 38. hinges

- Decreases door overlay in 1/32" increments
- Can be stacked to achieve desired overlay reduction
- Zinc-coated steel



38. distance spacer

36.3515

Installation screw

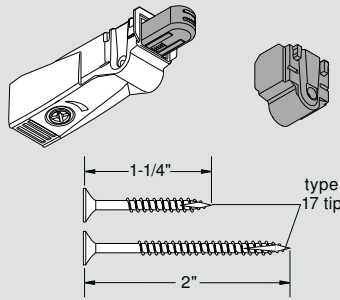
Truss head installation screw

834TH

BLUMOTION 971A for COMPACT hinges



BLUMOTION 971A poly-bag set



Can be used for all COMPACT overlays

Set includes:

- BLUMOTION mechanism (971A9700)
- Spacer (971A9709)
- #8 x 1-1/4" type 17 wood screw
- #8 x 2" type 17 wood screw

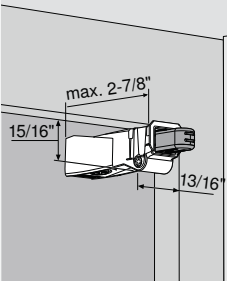
Part no.

Poly-bag set

971A9700.22

Full overlay

Full overlay — 1" or greater overlay

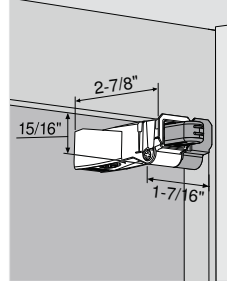


Part no.

BLUMOTION	971A9700
Installation screw (1-1/4")	8114Z

Partial overlay

Partial overlay — less than 1" overlay



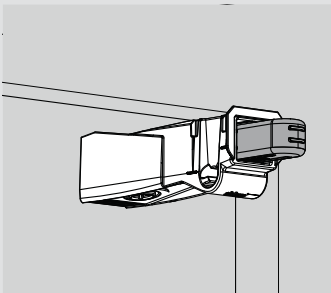
Part no.

BLUMOTION	971A9700
Spacer	971A9709
Installation screw (2")	8200Z

Specifications

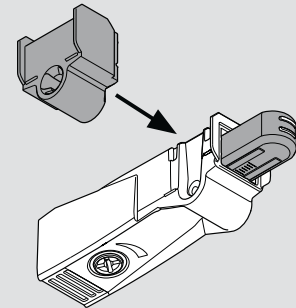
Mounting

BLUMOTION for doors mounts anywhere on the hinge-side stile of the cabinet using a 1-1/4" screw or 2" screw when using spacer.



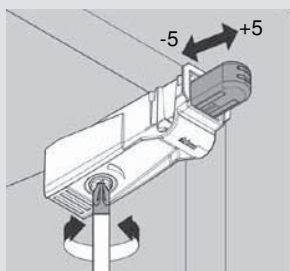
Attachment of partial overlay spacer

The partial overlay spacer snaps onto the side of the BLUMOTION for easier mounting.



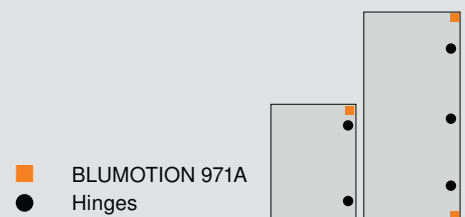
Adjustment

Use a Phillips or POZI screwdriver to adjust the contact point in or out (+5/-5 mm). Adjust out for larger, heavier doors or in for smaller, lighter doors.



BLUMOTION per door



- For optimum BLUMOTION effect, one BLUMOTION 971A should be installed for most applications
- Tall or heavy doors may require an additional BLUMOTION 971A
- Trial application recommended



COMPACT

Hinge accessories

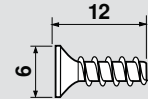
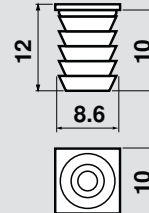
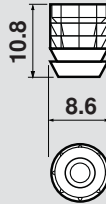
COMPACT cover caps

COMPACT 38N cover cap		COMPACT 38C/39C cover cap	
	<ul style="list-style-type: none"> For use with COMPACT 38N hinges Clip on attachment/removal Available blank or with printed custom logo (minimums apply) Steel, nickel-plated 		<ul style="list-style-type: none"> For use with COMPACT 38C/39C hinges only Clip on attachment/removal Available blank/embossed blum logo or with printed custom logo (minimums apply) Steel, nickel-plated
	38N cover cap		Part no. 70.7503

Dowel cross-reference chart

Blum press-in and EXPANDO dowels simplify installation
Use the charts below to find the proper hinge-to-dowel combination

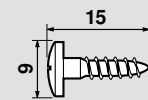
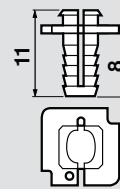
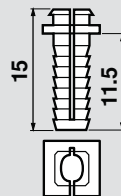
Ø8 mm dowels



NOTE: All dowels for Ø8 mm holes require a #6 x 1/2" dowel screw (608.1200)


Dowels for Ø8 mm hole		70.0532	34.3582.01	608.1200
Type	Series	Without flange	With flange	Installation screw
CLIP top and CLIP	100°/107°	✓		✓
	120°/120°+	✓		✓
	170°	✓		✓
	Thick door	✓		✓
	Zero protrusion	✓		✓
	Diagonal 45°	✓		✓
	Blind corner	✓		✓
	Bi-fold	✓		✓
COMPACT	33	✓		✓
	38C/39C	✓	✓	✓
	38N	✓	✓	✓
	38.	✓	✓	✓

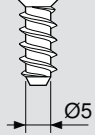
Ø5 mm dowels

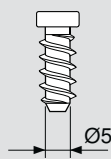



Type	Series/application	Dowels		Installation screws
EXPANDO	174H7100E /std. application	174H7100E8		618.1500
	174H710ZE /twin application		174H710E8Z	618.1500

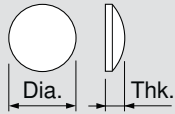
Screws

Deep thread wood screws	
	Part no.
#6 x 1/2", #2 Phillips	6062N
#6 x 5/8", #2 Phillips	606N
#6 x 5/8", #2 POZI	606P
#6 x 3/4", #2 Phillips	6064N
#7 x 5/8", #2 Phillips	707N
#7 x 3/4", #2 Phillips	7074N


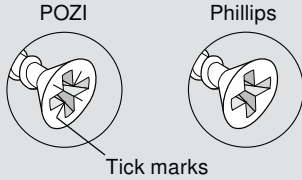
Deep thread system screws	
Pilot bore Ø5 mm (3/16") hole	
	Part no.
#7 x 10 mm, #2 POZI	661.1000.HG
#7 x 11.5 mm, #2 POZI	661.1150.HG
#7 x 13 mm, #2 POZI	661.1300.HG
#7 x 14.5 mm, #2 POZI	661.1450.HG
#7 x 20 mm, #2 POZI	661.2000.HG
#7 x 25 mm, #2 POZI	661.2500.HG

Pan head system screw	
<ul style="list-style-type: none"> ■ Pilot bore Ø5 mm (3/16") hole ■ Replacement screw for mounting plates with pre-mounted system screws 	
	Part no.
#7 x 14.5 mm, #2 POZI	668.1450.EH

Type 17 truss head screw	
	Part no.
#8 x 3/4", #2 Phillips	834TH

Bumpers	
Bumpers are clear in color with an adhesive backing (diameter x thickness).	
	Part no.
7.5 x 2 mm bumper	FX4041
12 x 3.5 mm bumper	SJ5312

Twin application screws	
Ø5 (3/16") hole	
	Part no.
14 (9/16") screw	612.2010
16 (5/8") sleeve	612.2020
24 (15/16") sleeve	612.2420

POZI DRIVER and bits	
	A POZI screwdriver (different from Phillips) is the most crucial tool you can use to assure that full torque is applied to all Blum mounting screws. POZI screws can be identified by the distinctive "tick" marks located in the center of the screw head recess.
	Part no.
#2 POZI DRIVER	POZI DRIVER
1/4" Magnetic bit holder	BIT HOLDER
#2 x 1" POZI bit insert	POZI BIT #2x1
#2 x 2" POZI bit insert	POZI BIT #2x2

Assembly aids

Templates

Knock-in tool



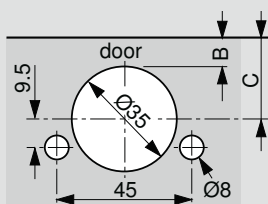
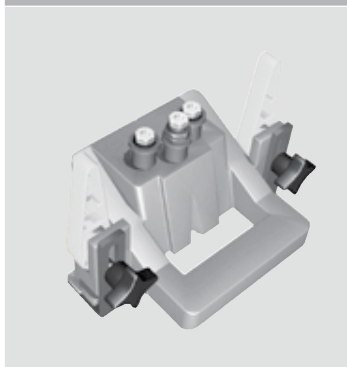
Can be used to insert all Blum press-in hinges

Part no.

Knock-in tool

ZME.0710

ECODRILL



- Simple device for boring Blum hinge pattern
- Driven by electric/cordless drill (18v or higher)
- Boring distance adjusts from 2 mm to 8 mm
- Clamps to various door thicknesses up to 40 mm
- Includes drill bits (pre-installed) and two Torx bits

ECODRILL

M31.1000

Accessories

Replacement Ø35 mm bit

M31.ZB35.02

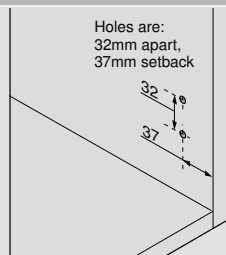
Replacement Ø8 mm bit

M31.ZB08.02

Tool set

MZW.1300

ECOJIG



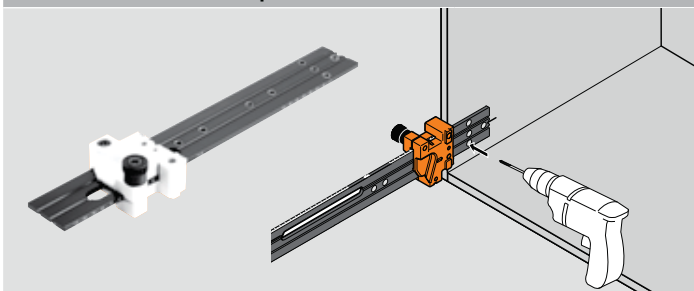
- Used to bore Ø5 mm holes for mounting plates that are mounted with system screws, EXPANDO dowels or INSERTA
- Also can be used to pre-bore Ø5 mm holes for EXPANDO BLUMOTION adapters
- Ø5 mm stop collar included

Part no.

ECOJIG

65.5070

Universal individual template



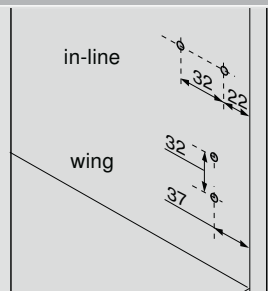
- For pre-boring mounting plates
- Also used for marking and pre-boring cabinet profiles, BLUMOTION, TIP-ON adapter plates and AVENTOS locating pins
- Calibrated scale for accurate setting

Part no.

Universal individual template

65.1051.01

Mounting plate template



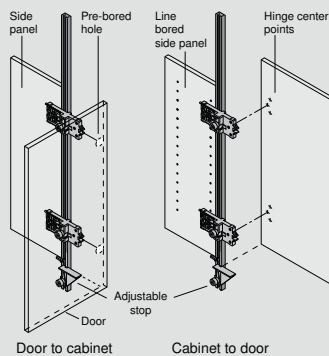
- Use with CLIP mounting plates on overlay applications on panel cabinets
- For wing mounting plates (37 mm setback) and in-line mounting plates (22 mm setback)
- Simple location of mounting plate screw positions
- Pilot bore Ø2.5 mm holes for wood screws

Part no.

Mounting plate template

65.5310

QUICKFIX

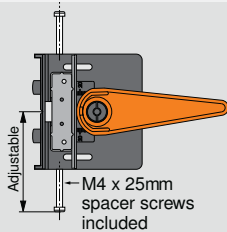
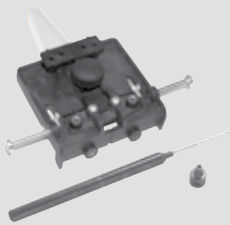


- Locates and matches positions of hinges and plates on cabinets and doors
- Transfer positions from door-to-cabinet and from cabinet-to-door
- Adjustable stop for various door overlays
- For use with wing or in-line mounting plates

Part no.

QUICKFIX	65.7500.02
Accessories	
Additional CLIP template	65.7510.02
2.2 meter rail	65.7590
Ø5 mm drill bit	DB-5mm

PLATEMATE

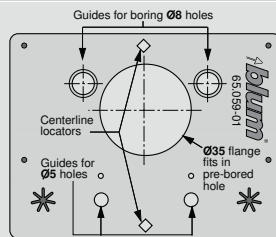
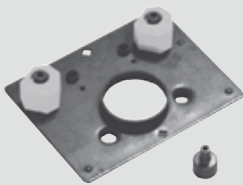


- Boring template for all Blum face frame adapter plates
- Clamps to the frame with cam lever
- Adjustment knob accommodates frame thickness of 5/8" to 1"
- Spacer screws permit quick use without measuring
- Includes 2.5 mm pilot bit and drill bit extension

Part no.

PLATEMATE	65.5030.01
-----------	------------

INSERTA boring template

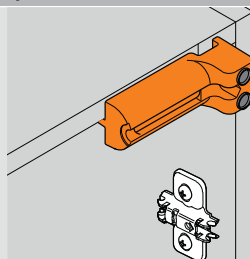


- For boring Ø8 mm dowel holes after Ø35 mm hole is bored
- Boring distance adjusts from 2 mm to 8 mm
- Also bores Ø5 mm holes for system screw mounting plates
- Includes drill stop collar to pilot bore Ø2.5 mm for screw-on plates

Part no.

INSERTA boring template	65.0590
-------------------------	---------

BLUMOTION for doors 970A boring template

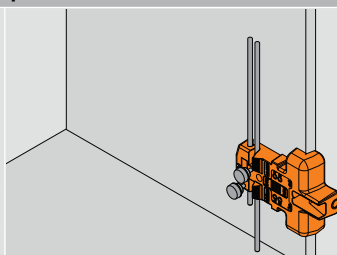
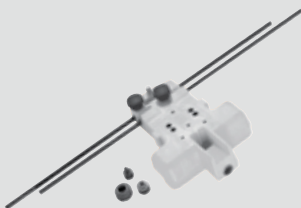


- For pre-boring BLUMOTION 970A
- Ø10 mm drill bushing for edge boring
- Bores left and right side of cabinet
- Can also be used with TIP-ON for doors
- Includes Ø10 mm stop collar

Part no.

BLUMOTION for doors 970A boring template	65.5010
--	---------

BLUMOTION for doors boring template



- For pre-boring BLUMOTION adapters
- Ø10 mm drill bushing for panel edge boring
- Bores left and right side of cabinet
- Vertical guides for setting height
- Can be used to pre-bore for wing and in-line mounting plates
- Includes Ø10 mm, Ø5 mm and Ø2.5 mm stop collars

Part no.

BLUMOTION for doors boring template	65.5000
-------------------------------------	---------

Assembly aids

Machines

MINIPRESS P — Deluxe boring and insertion machine



- Front adjustable boring distance with digital counter
- Pneumatic hold-down clamps
- Boring depth adjustment
- Ruler stops (qty 4)
- Tool kit included
- Dust collection attachment
- Optional laser center line set
- Accepts new 8 or 9 spindle heads

Part no.

Single phase — 220V power

M53.1053*US

Three-phase — 220V power

M53.1004*US

MINIPRESS M — 110V manual boring and insertion machine



- V110 power with molding plug (portable)
- Does not require pressurized air
- Ruler stops (qty 4)
- Tool kit included
- Dust collection attachment
- Accepts new 8 or 9 spindle heads

Part no.

Single phase — 110V power

M52.1056*US

MINIDRILL P — Standard boring machine



- Front adjustable boring distance
- Ruler stops (qty 4)
- Tool kit included
- Dust collection attachment
- Optional laser center line, digital counter and hold down clamps sets
- Accepts new 8 or 9 spindle heads

Part no.

Single phase — 220V power

M53.1053*50

Machine accessories

9 spindle head



- 9 spindle head for use with MINIPRESS/MINIDRILL
- Bores nine holes spaced 32 mm apart, parallel to the fence
- New feature — quick-disconnect chucks
- Once aligned, does not require additional adjustment
- Bores cabinet side panel for 32 mm system boring for Blum mounting plates and runners
- Requires retrofit set for use with machines produced in 2009 or prior

Includes:

- Ø3 mm allen wrench
- Distance spacer
- Drive pin
- Air hose

Part no.

9 spindle head	MZK.190S
Chuck cover cap	M30.1329

8 spindle head



- 8 spindle head for use with MINIPRESS/MINIDRILL
- Bores eight holes spaced 32 mm apart, perpendicular to the fence
- New feature — quick-disconnect chucks
- Once aligned, does not require additional adjustment
- Bores all METABOX, TANDEMBOX and TANDEMBOX intivo front fixing brackets and galleries
- Bores cabinet side panels for all Blum runner systems
- Requires retrofit set for use with machines produced in 2009 or prior

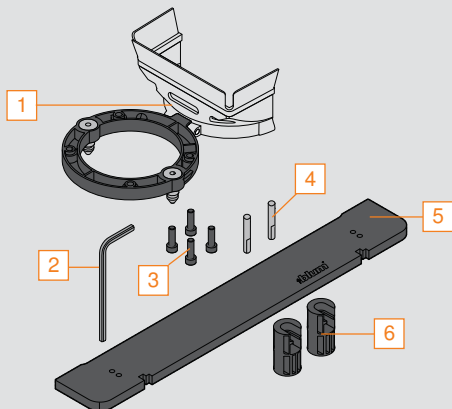
Includes:

- Ø3 mm allen wrench
- Distance spacer
- Drive pin
- Air hose

Part no.

8 spindle head	MZK.880S
Chuck cover cap	M30.1329

Spindle head retrofit set



- Required for attachment of 9 and 8 spindle heads to MINIPRESS/MINIDRILL produced in 2009 and prior
- Previous boring heads MZK.1000.US and MZK.8000.US cannot be used with the retrofit set

Set includes:

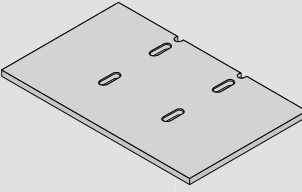
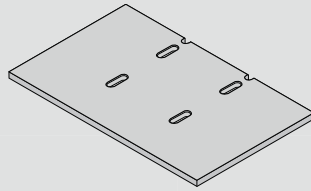
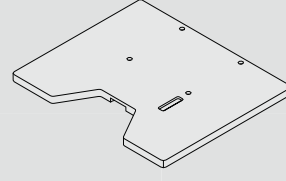

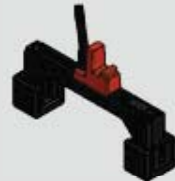
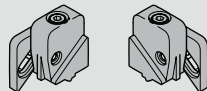
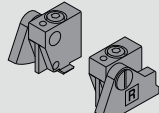
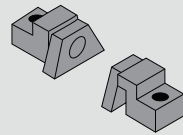



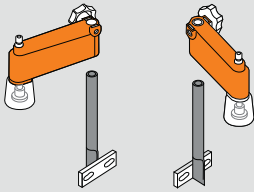
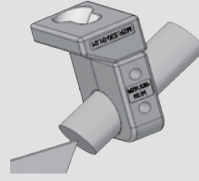
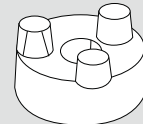
- 1 Adapter ring and shield
- 2 Ø5 mm allen wrench
- 3 Mounting bolts (qty 4)
- 4 Alignment pins (qty 2)
- 5 Alignment template
- 6 13 mm fixed depth stop (qty 2)

Part no.

Spindle head retrofit set	M30.1313.UM
---------------------------	--------------------

Machine accessories

Machine accessories

<p>Work table for M51 machine</p>  <p>Part no.</p> <p>Work table MZA.1000</p>	<p>Work table for M52 machine</p>  <p>Part no.</p> <p>Work table MZA.5200</p>	<p>Work table for M53 machine</p>  <p>Part no.</p> <p>Work table MZA.5300</p>
<p>Center ruler</p>  <p>Part no.</p> <p>Center ruler, 600 (2') M30.0212</p>	<p>Extension ruler</p>  <p>Part no.</p> <p>Extension ruler MZL.1250.US</p>	<p>Extension ruler support</p>  <p>Part no.</p> <p>Extension ruler support MZV.2100</p>
<p>Ruler stop</p> <p>Left or right ruler stop</p>  <p>Part no.</p> <p>Ruler stop MZS.3000</p>	<p>Small ruler stop</p> <p>Left or right ruler stops</p>  <p>Part no.</p> <p>Small ruler stop MZS.2000</p>	<p>Large ruler stop</p> <p>Symmetrical ruler stops</p>  <p>Part no.</p> <p>Large ruler stop MZS.1000</p>
<p>Fixed depth stop</p> <p>13 (1/2") fixed depth stop. For use with M51N machines.</p>  <p>Part no.</p> <p>Fixed depth stop M30.1304.01</p>	<p>Fixed depth stop</p> <p>13 (1/2") fixed depth stop. For use with M53 machines.</p>  <p>Part no.</p> <p>Fixed depth stop M30.1304.02</p>	<p>Digital counter set</p>  <p>Part no.</p> <p>Digital counter set MZE.2110</p>
<p>Hold down clamp set</p>  <p>Part no.</p> <p>Hold down clamp set M53.0720.US</p>	<p>Laser center point set</p>  <p>Part no.</p> <p>Laser center point set MZR.5300.US</p>	<p>Breakaway clutch</p> <p>For use with MINIPRESS and MINIDRILL</p>  <p>Part no.</p> <p>Breakaway clutch MZK.2009</p>

Euro insertion ram

Can be used for inserting most Blum Euro press-in hinges. Not recommended for use with 170° and 155° wide angled hinges.



Part no.

Euro insertion ram

MZM.0040

COMPACT insertion ram

Can be used for inserting all Blum COMPACT press-in hinges.

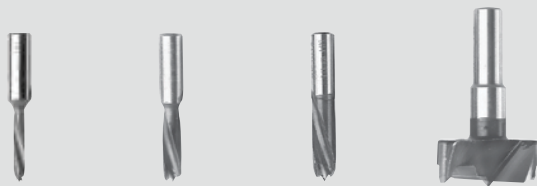


Part no.

COMPACT insertion ram

MZM.0047

Machine drill bits



Ø5 mm

Ø8 mm

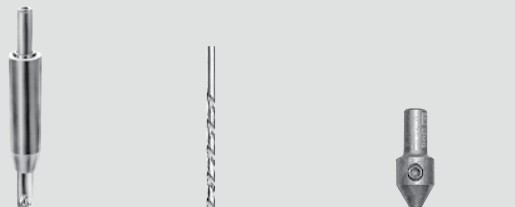
Ø10 mm

Ø35 mm

Part no.

Ø5 mm drill bit (right handed)	M01.ZB05.D2 R
Ø5 mm drill bit (left handed)	M01.ZB05.D3 L
Ø8 mm drill bit (left handed)	M01.ZB08.03 L
Ø10 mm drill bit (right handed)	M01.ZB10.02 R
Ø10 mm drill bit (left handed)	M01.ZB10.03 L
Ø20 mm drill bit (right handed)	M01.ZB20.02 R
Ø35 With center point	M01.ZB35.02 R

Twist drill bits — high speed steel



VPB-5

Twist drill bit

*Chuck for DB-2mm

Part no.

VPB-5 centering bit	VPB-5
Ø2 mm left	DB-2mm
Ø2.5 mm right	DB-2.5mm
Ø5 mm right	DB-5mm
Ø8 mm right	DB-8mm
Ø10 mm right	DB-10mm
Ø10 mm chuck for DB-2mm	DB-10 x 2mm

*Used to pilot bore for screw-on hinges with MINIPRESS or MINIDRILL

Part number index

Part no.	Page no.						
130.1100.22	69	175L6600.24	51	612.2010	73	70T6650	16
130.1100.23	69	175L6630.22	51	612.2020	73	70T7503N	21-23, 35
130.1100.24	69	175L6660.22	51	612.2420	73	70T7503N09	21-23, 35
130.1100.26	69	175L8100	48	618.1500	72	70T9550.TL	20
130.1110.02	69	175L8130	48	65.0590	75	70T9580.TL	20
130.1120.02	69	175L8190	48	65.1051.01	74	70T9650.TL	20
130.1130.02	69	177H5400E	50	65.5000	75	70T9750.TL	20
130.1140.02	69	181.6130	47	65.5010	75	71M2550	32
130.1150.02	69	33.3600	68	65.5070	74	71M2580	32
130.1160	69	33.3630	68	65.5310	74	71M2590B	32
133.0240	69	34.3582.01	72	65.7590	75	71M2650	32
171A5010	37	36.3515	70	65.5030.01	75	71M2680	32
171A5040	37	38.3580E08	70	65.7500.02	75	71M2690B	32
171A5070	37	38.3580.08	70	65.7510.02	75	71M2750	32
171A5500	37	38C3508	72	661.1000.HG	73	71M2780	32
173H7100	49	38C3508.BP	72	661.1150.HG	73	71M2790B	32
173H7130	49	38C355C.20	66	661.1300.HG	73	71T0550	29
173H9100	49	38C358C.20	66	661.1450.HG	73	71T0650	29
173H9130	49	38C358C.21	66	661.2000.HG	73	71T0750	29
173L6100	48	38C358C.22	66	661.2500.HG	73	71T3550	14
173L6130	48	38C358C.24	66	668.1450.EH	73	71T3580	14
173L8100	48	38C358C.25	66	70.1503	34	71T358E	14
173L8130	48	38N355C.06	65	70.1503.BP	34	71T3590	14
174E6100.01	48	38N355C.08	65	70.0532	72	71T3650	14
174E610Z	48	38N355C.10	65	70.1663	34	71T3750	14
174E6130.01	48	38N358C.12	65	70.6103	19, 35	71T3780	14
174H7100E	49	38N355CE08	65	70.7503	34, 72	71T3790	14
174H7100E8	72	38N358C.06	65	7074N	73	71T5550	16
174H7100I	49	38N358C.07	65	707N	73	71T5580	16
174H710E8Z	72	38N358C.08	65	70M2550.TL	32	71T558E	16
174H710ZE	49	38N358C.10	65	70M2580.TL	32	71T5590B	16
174H7130E	49	38N358CE08	65	70M2650.TL	32	71T5650	16
175H5030.21	50	39C355C.16	67	70M2750.TL	32	71T5680	16
175H5400	50	39C355C.20	67	70M2780.TL	32	71T5690B	16
175H6000	51	39C355C.21	67	70T1504	34	71T6540B	18
175H6030	51	39C355C.22	67	70T3507.21	34	71T6550	18
175H6040	51	39C355C.24	67	70T3550.TL	14	71T6580	18
175H6060	51	39C358C.16	67	70T3580.TL	14	71T6640B	18
175H6600	51	39C358C.20	67	70T3590.TL	14	71T6650	18
175H7100	50	39C358C.21	67	70T3650.TL	14	71T6680	18
175H7130	50	39C358C.22	67	70T3750.TL	14	71T7500N	21, 22
175H7190	50	39C358C.24	67	70T5550.TL	16	71T7530N	21, 22
175H9100	50	39C358C.25	67	70T5580.TL	16	71T7540N	21, 22
175H9130	50	58.0890.1198	68	70T5590BT	16	71T7600N	23
175H9160	50	6062N	73	70T5650.TL	16	71T7640N	23
175H9190	50	6064N	73	70T5680.TL	16	71T9550	20
175H9190.22	50	606N	73	70T5690BTL	16	71T9580	20
175L6030.21	51	606P	73	70T6540B	18	71T9590B	20, 35
175L6600.22	51	608.1200	72	70T6550	16	71T9650	20

Part no.	Page no.				
71T9680	20	79T8500.10	31	M31.ZB35.02	74
71T9690B	20, 35	79T8530.10	31	M52.1056*US	76
71T9750	20	79T9550	26	M53.0720.US	78
71T9780	20	79T9580	26	M53.1004*US	76
71T9790B	20, 37	79T9590B	26	M53.1053*50	76
72T3550.TL	15	79T9990B37	27	M53.1053*US	76
72T3580.TL	15	80.6107	34	MZA.1000	78
72T3590.TL	15	80.6507	34	MZA.5200	78
72T550A.TL	25	81142	71	MZA.5300	78
73T3550	15	82002	71	MZE.2110	78
73T3580	15	834TH	73	MZK.190S	77
73T358E	15	90M2103.01	34	MZK.2009	78
73T3590	15	90M2103.22	34	MZK.880S	77
73T5550	17	90M2203	34	MZL.1250.US	78
73T550A	25	94M3203	34	MZM.0040	79
73T550AB	24	970.5201	60	MZM.0047	79
73T5550	17	970.55E1	60	MZR.2000	78
73T5580	17	970.5701	60	MZR.5300.US	78
73T558E	17	971A05E0	58	MZS.1000	78
73T5590B	17	971A0700	58	MZS.2000	78
74.1103	35	971A2700	58	MZS.3000	78
74T1550.TL	13	971A9700	71	MZW.1300	74
74T1580.TL	13	971A9700.22	71	MZV.2100	78
75M1580	33	971A9709	71	POZI BIT #2x1	73
75M1680	33	973A0500.01	56	POZI BIT #2x2	73
75T1550	13	973A0600	56	POZI DRIVER	73
75T1580	13	973A0700	56	SJ5312	73
75T1590B	13	973A6000	57	VPB-5	79
75T1650	13	973A7000	57	ZME.0710	74
75T1680	13	BIT HOLDER	73		
75T1690B	13	DB-2mm	79		
75T1750	13	DB-2.5mm	79		
75T1780	13	DB-5mm	79		
75T1790B	13	DB-8mm	79		
75T4100	30	DB-10mm	79		
75T4200	30	DB-10 x 2mm	79		
75T4300	30	FX4041	73		
79A5490BT	37	M01.ZB05.D2 R	79		
79A5491BT	37	M01.ZB05.D3 L	79		
79A5493BT	37	M01.ZB10.02 R	79		
79A9494BT	37	M01.ZB10.03 L	79		
79A9496BT	37	M01.ZB20.02 R	79		
79A9498BT	37	M01.ZB35.02 R	79		
79A9595BT	37	M30.0212	78		
79A9596BT	37	M30.1304.01	78		
79A9698BT	37	M30.1313.UM	77		
79T5590B	28, 37	M30.1329	77		
79T5550	28	M31.1000	74		
79T5580	28	M31.ZB08.02	74		



Blum, Inc. Headquarters, Stanley NC

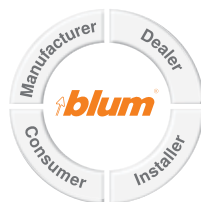
Why choose Blum



Blum, Inc. is a leading manufacturer of functional hardware for the kitchen cabinet and commercial casework industries specializing in lift systems, concealed hinges and drawer runner systems. Virtually all of the hardware needed to assemble and make cabinets functional is available within the wide range of quality Blum products. Blum supports the U.S. market with a network of more than 150 dependable distributors, 40+ knowledgeable Blum sales representatives and an experienced customer service department.

Commitment to manufacturing in the U.S.

Blum manufactures many of its products in our 450,000 sq ft manufacturing, logistics and warehouse facility located in Stanley, North Carolina. Manufacturing closer to the customer allows Blum to react quickly to changing customer needs including unexpected surges in demand. Customer pickups and deliveries can be timed to better match their production schedules. Blum is committed to manufacturing in the U.S. for the U.S. market.



Product development at Blum considers all of the various customers who will come in contact with our products. With this “Global Customer Benefits” philosophy we strive to create advantages for all users.



Blum, Inc. is ISO 9001 certified which means that you are assured of consistent quality in every Blum product. What's more they exceed the requirements of ANSI/ BHMA standards for cycle life, static load and self-closing performance.

Please visit blum.com for information on other Blum products.
LIT-HNG1000.04.12 © 2012 Blum, Inc. Printed in the USA.


larkandlarks.co.uk
online kitchen & bedroom store
See website for details. Help line: 0845 017 6480

Blum, Inc.
7733 Old Plank Rd.
Stanley, NC 28164
800-438-6788
blum.com

FSC
LOGO



ISO 9001
Certified Quality
System

 **blum**®