



# TANDEMBOX antaro

Rectangular rail with a clear design throughout the whole range





# Minimalist design. Proven technology. TANDEMBOX antaro

The TANDEMBOX drawer system has been impressing furniture users and furniture manufacturers with its proven technology for many years now. We have now developed TANDEMBOX antaro, a new programme line with new design options. TANDEMBOX antaro has a clear style – whether it's open with a gallery or as a closed drawer with a side design element.


All components are colour-coordinated. Minimalist design meets proven technology. That is TANDEMBOX antaro.

- 4–7 **Design**
- 8–15 **Programme**
- 16–17 **Assembly**
- 18–19 **Ideas for practical kitchens**
- 20–23 **Motion technologies**
- 24–25 **TANDEMBOX programme lines**
- 26–73 **Ordering and planning information**
- 74–75 **Blum**



Open, or with a design element. Consistent design





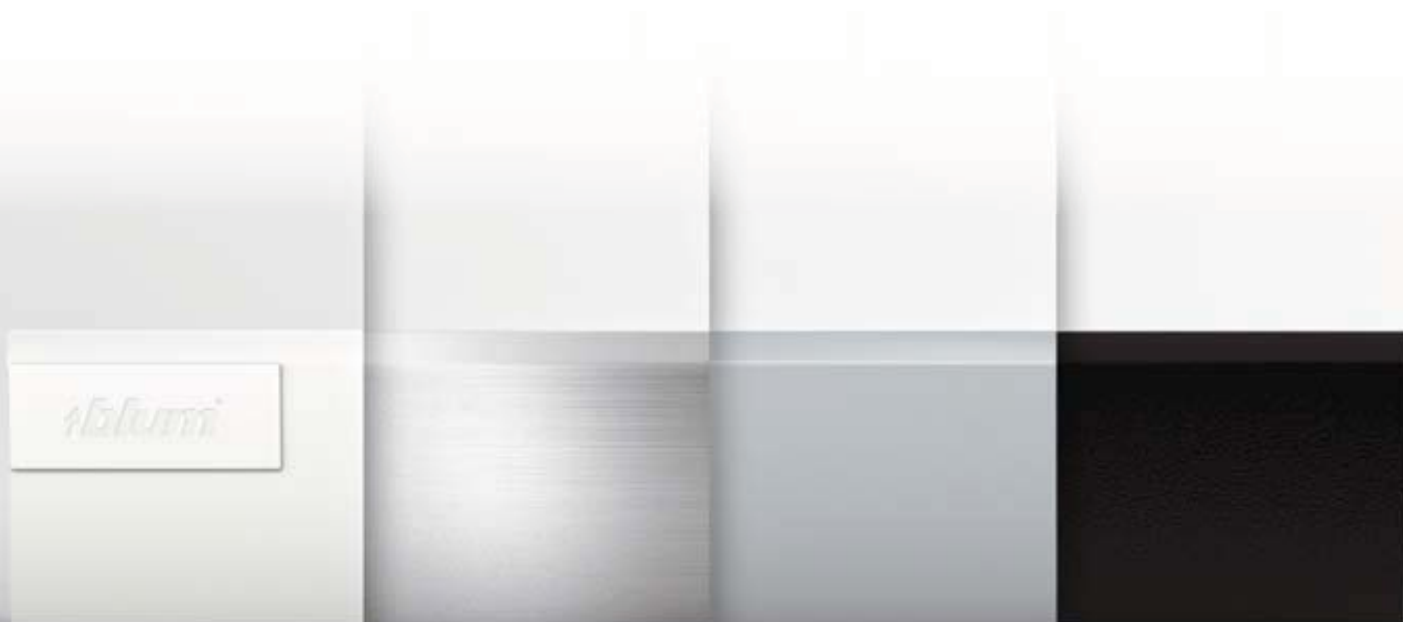
TANDEMBOX antaro starts with your choice of an open drawer, characterised by a rectangular gallery or a closed drawer with a side design element made from glass, metal or other material such as wood.



# The design – Four colours. One style

## Minimalist style with a customised colour concept

The minimalist design of TANDEMBOX antaro has a consistently clear form and colouring. All nylon components are coordinated to the respective drawer side colour. The colour and material programme includes three steel variants: Silk white, white aluminium and terra black as well as stainless steel.



Silk white

Stainless steel

White aluminium (RAL 9006)

Terra black



## The programme – One system for all applications



You have the choice. And all options are available

With TANDEMBOX antaro, you can realise all of your design aspirations. From inner drawers, high fronted pull-outs to open or closed drawers. Even special applications such as the SPACE TOWER larder unit, the Blum sink pull-out or the SPACE CORNER corner solution are possible.







## The programme – Living room re-invented



TANDEMBOX antaro offers a complete programme for pull-outs and drawers. Whether in the kitchen, bathroom or living area – all applications are possible with TANDEMBOX antaro.

---

<b>Nominal lengths</b>	270 – 650 mm
------------------------	--------------

---

<b>Cabinet widths</b>	275 – 1.200 mm
-----------------------	----------------

---

<b>Drawer side heights</b>	N (68.5 mm)
	M (83.6 mm)
	K (115.6 mm)

---







# Design elements – Use to attain a unique style

By using design elements you will be able to fully enclose the drawer & simultaneously present a style statement. The elements you add can reflect your design aspirations. You can choose from Blum design elements (glass or metal). There are of course, many other possibilities (eg wood) you could use to express your ideas.

## Glass design elements



Clear glass



Frosted glass

## Metal design elements in three drawer side colours



Silk white



Terra black



White aluminium (RAL 9006)

Your own ideas, e.g. using wood can easily be put into practice





# The programme – Inner dividing system



## Practical organisation

The ORGA-LINE inner dividing system is not only practical, but also matches the shape and colour scheme of TANDEMBOX antaro. Storage items are perfectly organised using flexible longside and cross dividers. Stainless steel drip trays in the drawers provide high-quality organisation. Very practical: The containers are easy to remove and are dishwasher safe.

See the ORGA-LINE brochure for more information about this practical organisational tool.





Gallery and front are connected  
via INSERTA technology



# Assembly – Simple and tool-free



Back gallery rails clip on easily.



Front tilt adjustment



Design element assembly is very easy. Simply slide in and connect to the back locking piece.

It is important to us that assembly is as quick and easy as possible, e.g. using the proven INSERTA technology – completely tool-free.

The TANDEMBOX program line is based on the established cabinet profile. This is a real advantage especially when you are assembling different programme lines. The drilling and cutting dimensions remain the same and familiar assembly devices support efficient assembly.



[View assembly video](#)



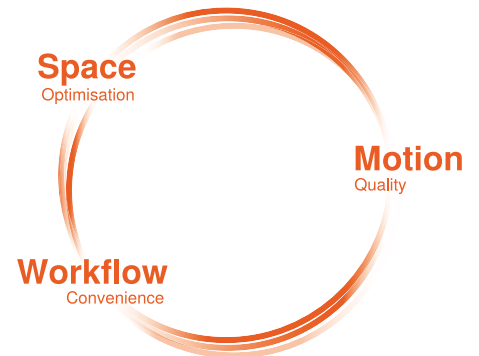
Ideas from Blum  
for practical kitchens



# DYNAMIC SPACE – Ideas from Blum for practical kitchens

The three important features of a practical kitchen include good workflows, enough storage space and high ease of use – at Blum, this means: workflow, space and motion.

With DYNAMIC SPACE, we offer helpful ideas, suggestions and solutions for making today's kitchen even more practical.



## **Workflow - Give yourself easy access**

Thanks to full extension drawers & pull-outs, even those items in the farthest corner are visible and easy to reach. The right ORGA-LINE inner dividing system provides additional organisation and overview. In this way, TANDEMBOX antaro supports simple workflows in the kitchen.



## **Space - Optimal cabinet utilisation with TANDEMBOX antaro**

TANDEMBOX antaro can also be used as an enclosed drawer with glass or metal design elements. Products are easier to stack, thus creating up to 55% more storage space. You can also achieve special solutions such as the Blum sink pull-out with TANDEMBOX antaro, gaining additional storage space from previously unused areas.



## **Motion - Enhanced user convenience and quality of motion**

The BLUMOTION function is integrated into TANDEMBOX cabinet profiles. Thus pull-outs always close silently and effortlessly regardless of how much force is used for closing. TANDEMBOX antaro can also be equipped with the SERVO-DRIVE electrical opening support system. A light touch on the front is enough and pull-outs open as if by themselves.



The TANDEMBOX cabinet profile – Three lines.  
One solution







All TANDEMBOX programme lines are based on the tried and tested TANDEMBOX cabinet profile. Its smooth running action has been impressing users for many years now. The low-friction cylindrical nylon roller runners ensure high quality of motion for load bearing classes of 30, 50 or 65 kg. A furniture lifetime. Numerous motion and load bearing tests ensure this quality standard.



# Fascinating action when opening and closing

TANDEMBOX antaro can be used with all Blum motion technologies:



## BLUMOTION

With BLUMOTION, pull-outs close silently and effortlessly. It doesn't matter how much force is used to close drawers and pull-outs or how heavily laden they are.



## SERVO-DRIVE

A light touch on a handle-less front or a light pull of the handle – that's all it takes to open drawers and pull-outs with the SERVO-DRIVE electrical motion support system:

And you always have integrated BLUMOTION.



## TIP-ON

Our mechanical opening support system TIP-ON offers practical opening comfort: Handle-less pull-outs, doors and lift systems will open at a single touch. The pull-out closes with a light press.

## Top-quality motion throughout the kitchen

Along with pull-outs, lift systems can also be equipped with this comfort of motion.

For lift systems: BLUMOTION, SERVO-DRIVE, TIP-ON

For doors: BLUMOTION, TIP-ON



NT, ALWAYS UNIQUE. ALWAYS DIFFERENT, ALWAYS U  
DIFFERENT, ALWAYS UNIQUE. ALWAYS DIFFERENT, A  
ALWAYS DIFFERENT, ALWAYS UNIQUE. ALWAYS DIFF  
UNIQUE. ALWAYS DIFFERENT, ALWAYS UNIQUE. ALWA  
ALWAYS UNIQUE. ALWAYS DIFFERENT, ALWAYS UNIQ  
FERENT, ALWAYS UNIQUE. ALWAYS DIFFERENT, ALWA  
AYS DIFFERENT, ALWAYS UNIQUE. ALWAYS DIFFERE





# TANDEMBOX – One programme. Three lines.

NIQUE.  
LWAYS  
ERENT.  
AYS DIF  
UE. ALY  
AYS UNI  
NT, ALY

blum

blum

## One proven system. Various interpretations


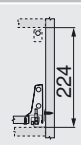

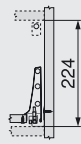

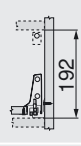

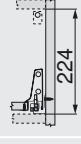

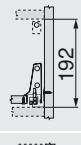

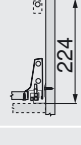

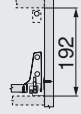
With the TANDEMBOX program, you can fulfil various customer requirements with just one box system. This is because the TANDEMBOX intivo, TANDEMBOX antaro and TANDEMBOX plus lines have many different design options.

The proven TANDEMBOX cabinet profile ensures smooth running action for all three programme lines.


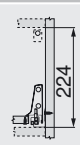



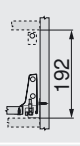



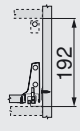
# Overview – applications

## Standard cabinet


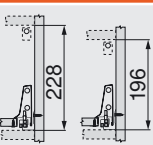


### High fronted pull-out

	High fronted pull-out – gallery – D – M drawer side		<b>28</b>
	High fronted pull-out – gallery – D – K drawer side		<b>30</b>
	High fronted pull-out – gallery – C – M drawer side		<b>32</b>
	Design element – D – M drawer side		<b>40</b>
	Design element – C – M drawer side		<b>41</b>
	High fronted pull-out with an alu frame – gallery – D – M drawer side		<b>42</b>
	High fronted pull-out with an alu frame – gallery – C – M drawer side		<b>42</b>


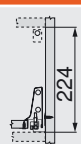

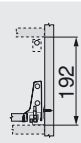
### Inner pull-out

	Inner pull-out – gallery – D – M drawer side		<b>34</b>
	Inner pull-out – gallery – D – K drawer side		<b>36</b>
	Inner pull-out – gallery – C – M drawer side		<b>38</b>
	Design element – D – M drawer side		<b>40</b>
	Design element – C – M drawer side		<b>41</b>

## Corner cabinet


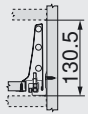

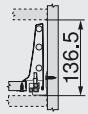

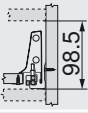

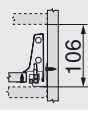

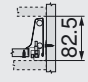
	SPACE CORNER with SYNCROMOTION – gallery – D/C – M drawer side		<b>44</b>
	SPACE CORNER with rigid fronts – gallery – D – M drawer side		<b>45</b>

## Sink cabinet


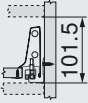

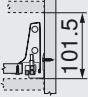
	Sink pull-out – gallery – D – M drawer side		<b>46</b>
	Sink pull-out – gallery – C – M drawer side		<b>48</b>

# Overview – applications

## Standard cabinet

Drawer		Inner drawer	
	Drawer – K 50 		Inner drawer – K 56 
	Drawer – M 52 		Inner drawer – M 58 
	Drawer – N 54 		

## Corner cabinet

	SPACE CORNER with SYNCROMOTION – M 44 
	SPACE CORNER with rigid fronts – M 45 

## Accessories

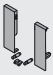

TANDEMBOX cabinet profile	60
Steel back	61
Back and gallery fixing – B – M drawer side	62
Flexibler Relinghalter	62

## Information

Colour variants	Abbreviations	Colour variants	Abbreviations
Silk white	SW	Dust grey	RAL 7037
Terra black	TS	Inmold stainless steel	
white aluminium	RAL 9006	Nickel plated	
Stainless steel	IG	RAL9006/White grey	WAWG
White grey	WGR	Silk white/Grey	SW/G
Copper/Black	KU/S		

Packing unit	VPEH
--------------	------

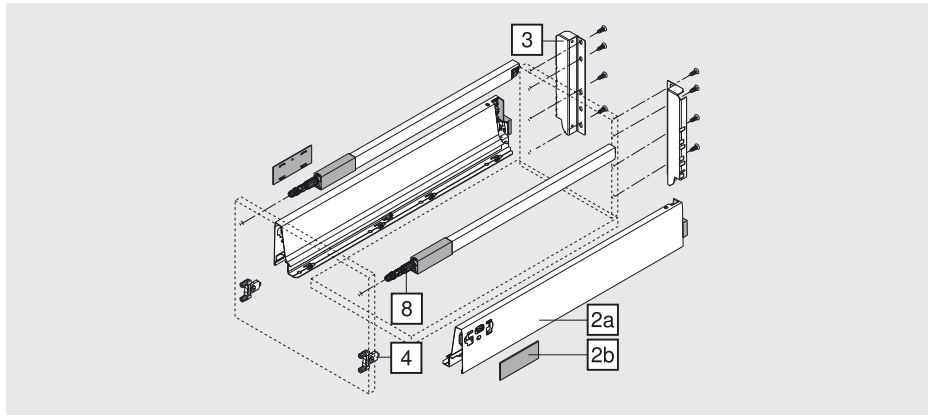
## Combination of finishes

				
	Silk white	Terra black	RAL 9006	Stainless steel
Silk white	■			
Terra black		■		
White grey			■	
Dust grey				■



# Order specification

## High fronted pull-out – gallery – D – M drawer side



2a, 2b	Drawer sides and cover caps left/right		
	Colour variants	SW TS RAL9006	
	Nominal length	Steel	Stainless steel
	270 mm	358M2702SA	358M2702IA
	300 mm	358M3002SA	358M3002IA
	350 mm	358M3502SA	358M3502IA
	400 mm	358M4002SA	358M4002IA
	450 mm	358M4502SA	358M4502IA
	500 mm	358M5002SA	358M5002IA
	550 mm	358M5502SA	358M5502IA
	600 mm	359M6002SA	359M6002IA
	650 mm	359M6502SA	359M6502IA

8	Longside gallery rail left/right		
	Colour variants	SW TS RAL9006	
	Nominal length	Steel	Stainless steel
	270 mm	ZRG.207RSIC	ZRG.207RIIC
	300 mm	ZRG.237RSIC	ZRG.237RIIC
	350 mm	ZRG.287RSIC	ZRG.287RIIC
	400 mm	ZRG.337RSIC	ZRG.337RIIC
	450 mm	ZRG.387RSIC	ZRG.387RIIC
	500 mm	ZRG.437RSIC	ZRG.437RIIC
	550 mm	ZRG.487RSIC	ZRG.487RIIC
	600 mm	ZRG.537RSIC	ZRG.537RIIC
	650 mm	ZRG.587RSIC	ZRG.587RIIC

3	Back fixing and gallery fixing left/right		
	Colour variants	SW TS RAL9006	Nickel plated
		Steel	
		Z30D000SL	
	Steel back		61

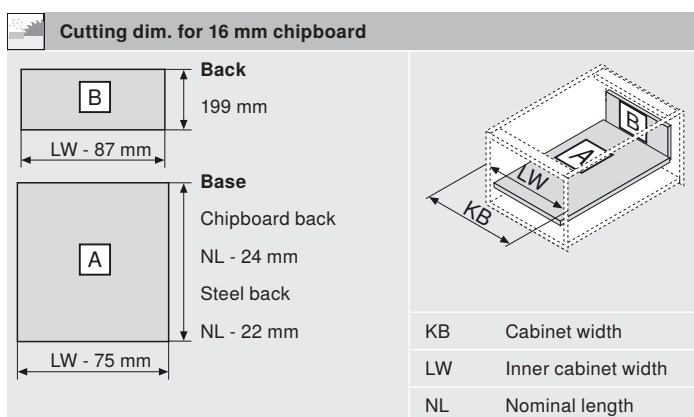
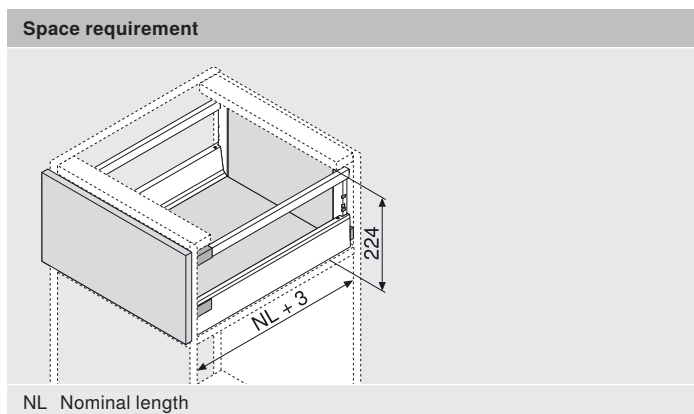
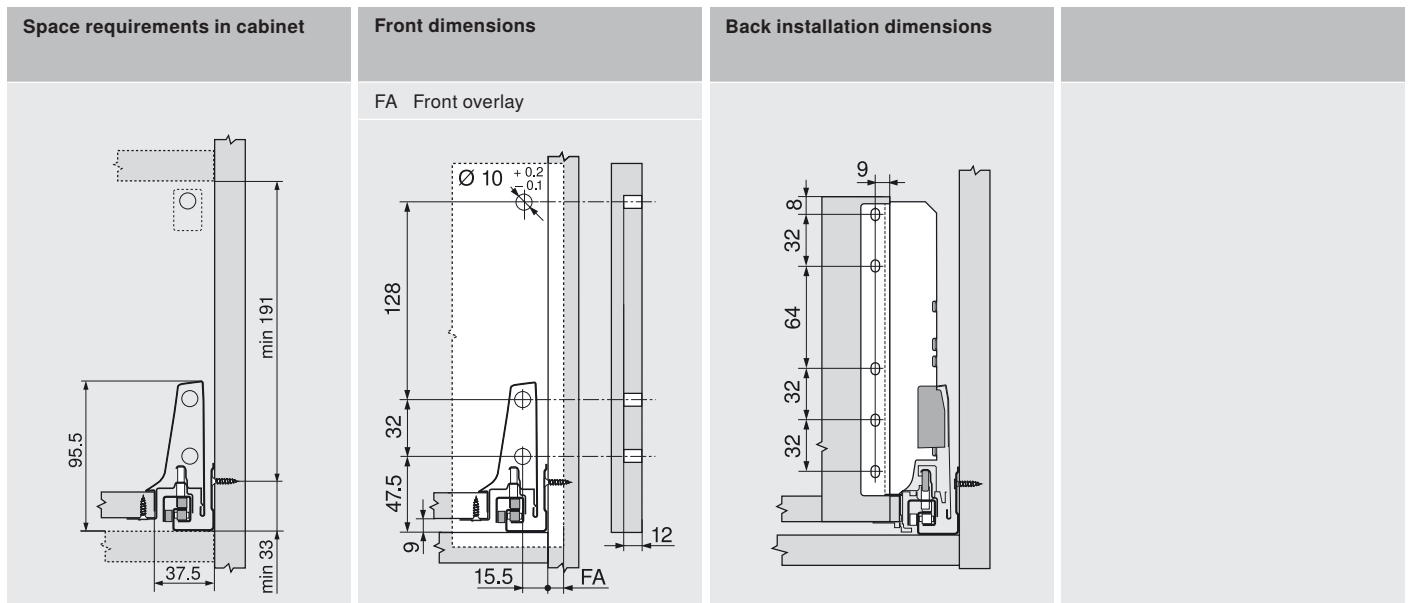
Front stabilisation	
	For stabilising wide and high fronts
	Z96.10E1
	Reinforces the connection between the drawer side and the front
	Planning
	63

4	Front fixing bracket		
	INSERTA version	2x	ZSF.3902
	Screw-on version	2x	ZSF.3502
	Knock-in version	2x	ZSF.3602

Page instructions	
	Additional parts for an aluminium front
	42
	Design element
	40
	TANDEMBOX cabinet profile
	60

# Planning information

## High fronted pull-out – gallery – D – M drawer side

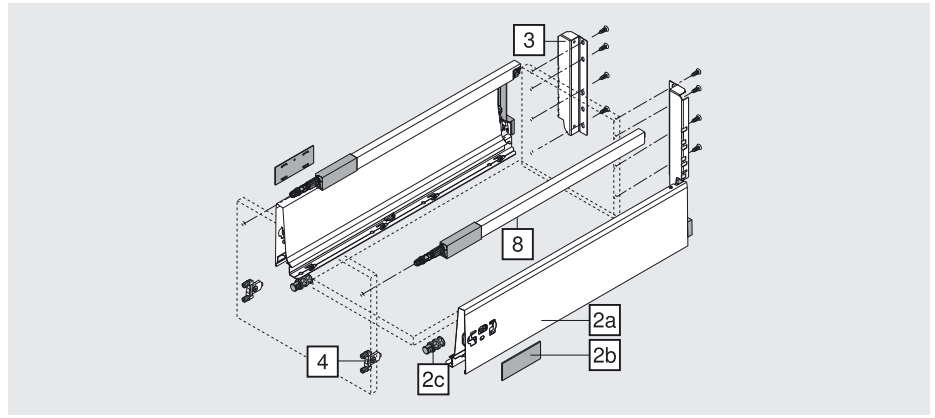


### Page instructions

Assembly, removal and adjustment

# Order specification

## High fronted pull-out – gallery – D – K drawer side



2a, 2b, 2c	Drawer sides and cover caps left/right	
Colour variants	SW TS	RAL9006
Nominal length	Steel	
270 mm	358K2702SA	
300 mm	358K3002SA	
350 mm	358K3502SA	
400 mm	358K4002SA	
450 mm	358K4502SA	
500 mm	358K5002SA	
550 mm	358K5502SA	
600 mm	359K6002SA	
650 mm	359K6502SA	

8	Longside gallery rail left/right	
Colour variants	SW TS	RAL9006
Nominal length	Steel	
270 mm	ZRG.207RSIC	
300 mm	ZRG.237RSIC	
350 mm	ZRG.287RSIC	
400 mm	ZRG.337RSIC	
450 mm	ZRG.387RSIC	
500 mm	ZRG.437RSIC	
550 mm	ZRG.487RSIC	
600 mm	ZRG.537RSIC	
650 mm	ZRG.587RSIC	

3	Back fixing and gallery fixing left/right	
Colour variants	SW TS	RAL9006
	Steel	
	Z30D000SL	
Steel back		61

Front stabilisation		
	For stabilising wide and high fronts	Z96.10E1
	Reinforces the connection between the drawer side and the front	
	Planning	63

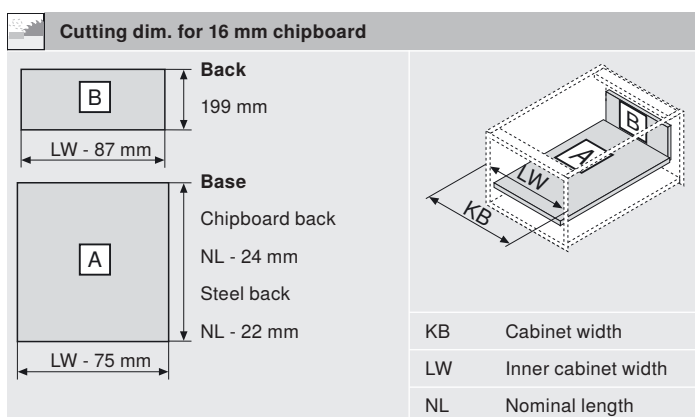
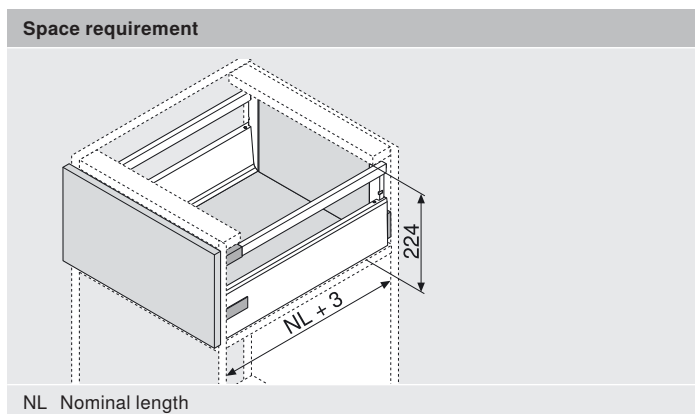
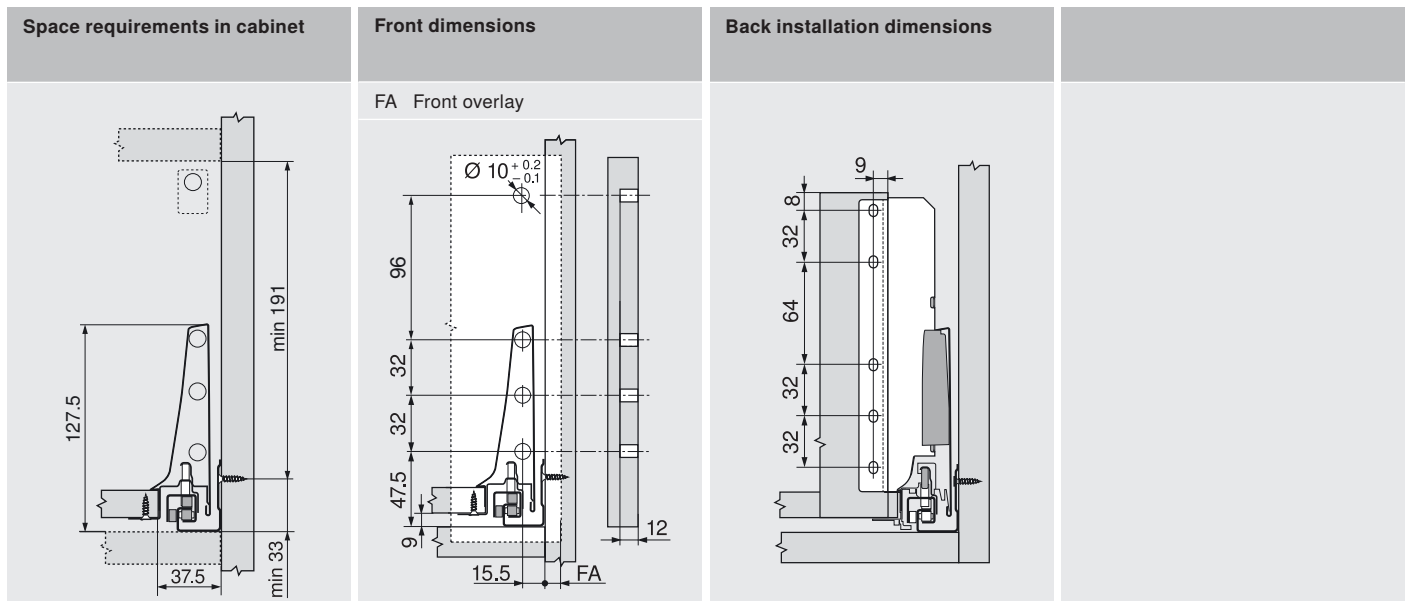
4	Front fixing bracket	
INSERTA version	2x	ZSF.3902
Screw-on version	2x	ZSF.3502
Knock-in version	2x	ZSF.3602

Page instructions	
Additional parts for an aluminium frame front	42
TANDEMBOX cabinet profile	60



# Planning information

## High fronted pull-out – gallery – D – K drawer side

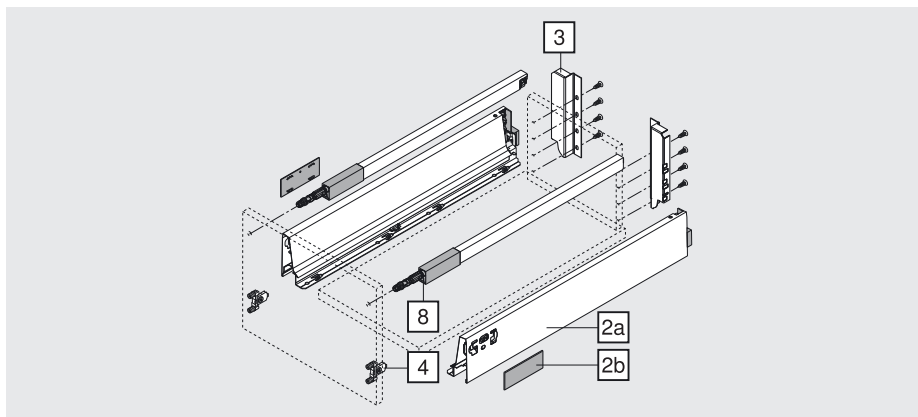


### Page instructions

Assembly, removal and adjustment

# Order specification

## High fronted pull-out – gallery – C – M drawer side



2a, 2b	Drawer sides and cover caps left/right		
	Colour variants	SW TS RAL9006	
	Nominal length	Steel	Stainless steel
	270 mm	358M2702SA	358M2702IA
	300 mm	358M3002SA	358M3002IA
	350 mm	358M3502SA	358M3502IA
	400 mm	358M4002SA	358M4002IA
	450 mm	358M4502SA	358M4502IA
	500 mm	358M5002SA	358M5002IA
	550 mm	358M5502SA	358M5502IA
	600 mm	359M6002SA	359M6002IA
	650 mm	359M6502SA	359M6502IA

8	Longside gallery rail left/right		
	Colour variants	SW TS RAL9006	
	Nominal length	Steel	Stainless steel
	270 mm	ZRG.207RSIC	ZRG.207RIIC
	300 mm	ZRG.237RSIC	ZRG.237RIIC
	350 mm	ZRG.287RSIC	ZRG.287RIIC
	400 mm	ZRG.337RSIC	ZRG.337RIIC
	450 mm	ZRG.387RSIC	ZRG.387RIIC
	500 mm	ZRG.437RSIC	ZRG.437RIIC
	550 mm	ZRG.487RSIC	ZRG.487RIIC
	600 mm	ZRG.537RSIC	ZRG.537RIIC
	650 mm	ZRG.587RSIC	ZRG.587RIIC

3	Back fixing and gallery fixing left/right		
	Colour variants	SW TS RAL9006	Nickel plated
		Steel	
		Z30C000S	
	Steel back		61

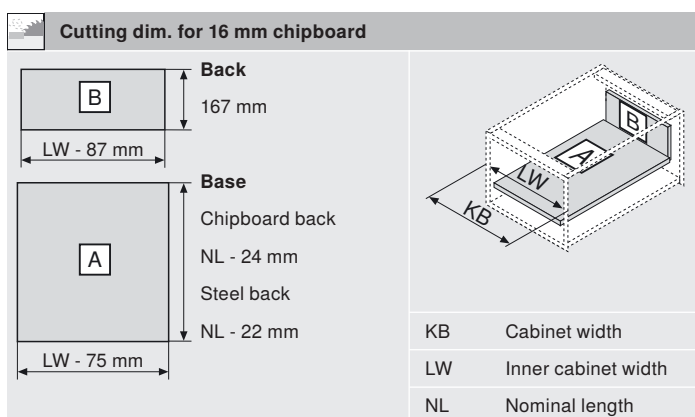
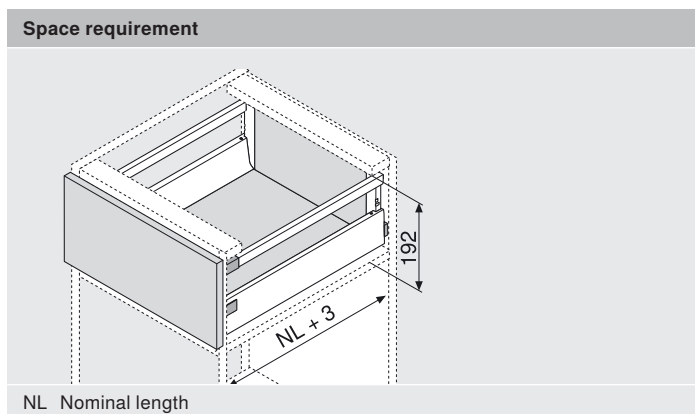
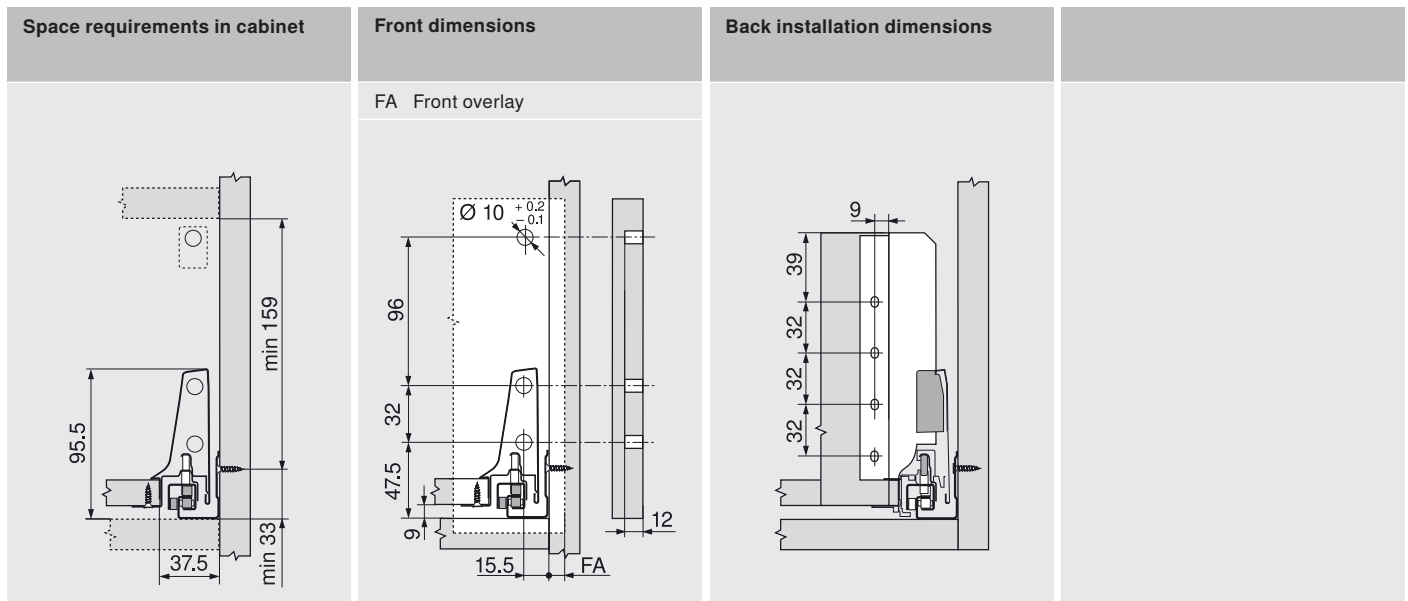
Front stabilisation		
	For stabilising wide and high fronts	Z96.10E1
	Reinforces the connection between the drawer side and the front	
	Planning	63

4	Front fixing bracket		
	INSERTA version	2x	ZSF.3902
	Screw-on version	2x	ZSF.3502
	Knock-in version	2x	ZSF.3602

Page instructions		
	Additional parts for an aluminium front	42
	Design element	41
	TANDEMBOX cabinet profile	60

# Planning information

## High fronted pull-out – gallery – C – M drawer side



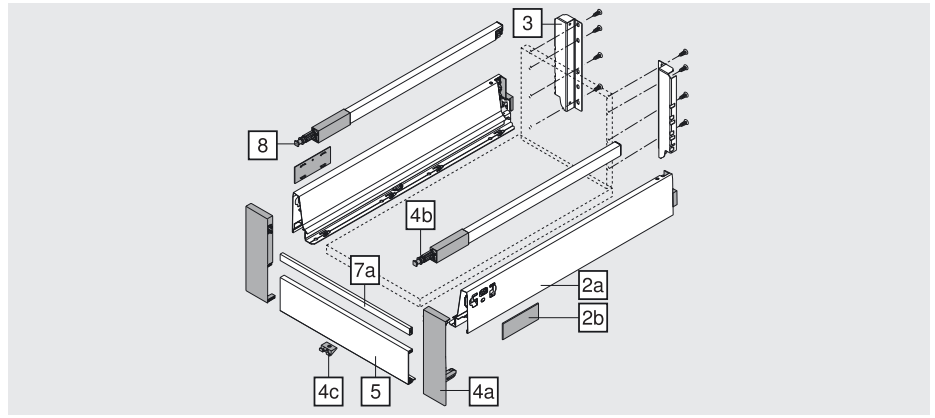
**Page instructions**

Assembly, removal and adjustment

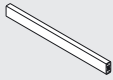


# Order specification

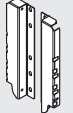
## Inner pull-out – gallery – D – M drawer side

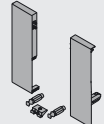


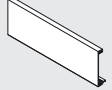
2a, 2b	Drawer sides and cover caps left/right		
	Colour variants	SW TS	RAL9006
	Nominal length	Steel	Stainless steel
	270 mm	358M2702SA	358M2702IA
	300 mm	358M3002SA	358M3002IA
	350 mm	358M3502SA	358M3502IA
	400 mm	358M4002SA	358M4002IA
	450 mm	358M4502SA	358M4502IA
	500 mm	358M5002SA	358M5002IA
	550 mm	358M5502SA	358M5502IA
	600 mm	359M6002SA	359M6002IA
	650 mm	359M6502SA	359M6502IA

7a	Cross gallery			
	Colour variants	SW TS	RAL9006	Nickel plated
			Aluminium	
	For cutting to size	ZRG.1046Z		

8	Longside gallery rail left/right		
	Colour variants	SW TS	RAL9006
	Nominal length NL	Steel	Stainless steel
	270 mm	ZRG.207RSIC	ZRG.207RIIC
	300 mm	ZRG.237RSIC	ZRG.237RIIC
	350 mm	ZRG.287RSIC	ZRG.287RIIC
	400 mm	ZRG.337RSIC	ZRG.337RIIC
	450 mm	ZRG.387RSIC	ZRG.387RIIC
	500 mm	ZRG.437RSIC	ZRG.437RIIC
	550 mm	ZRG.487RSIC	ZRG.487RIIC
	600 mm	ZRG.537RSIC	ZRG.537RIIC
	650 mm	ZRG.587RSIC	ZRG.587RIIC

3	Back fixing and gallery fixing left/right		
	Colour variants	SW TS	RAL9006 Nickel plated
		Steel	
		Z30D000SL	
	Steel back	61	

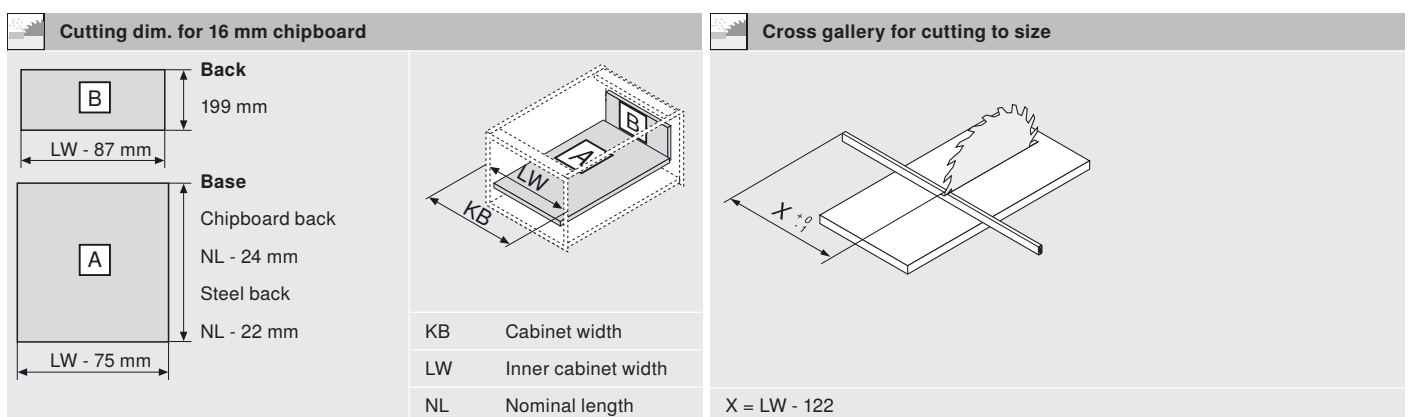
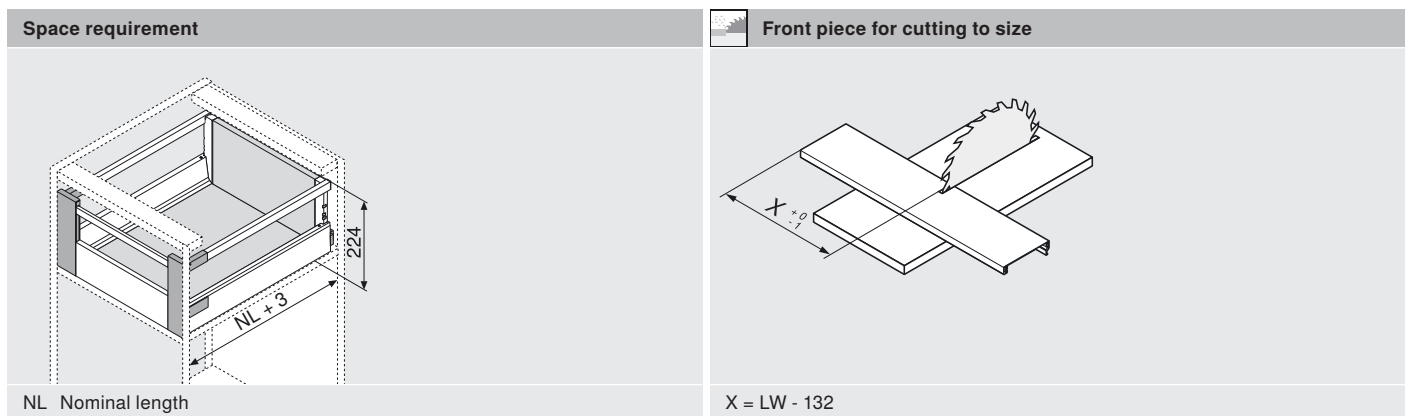
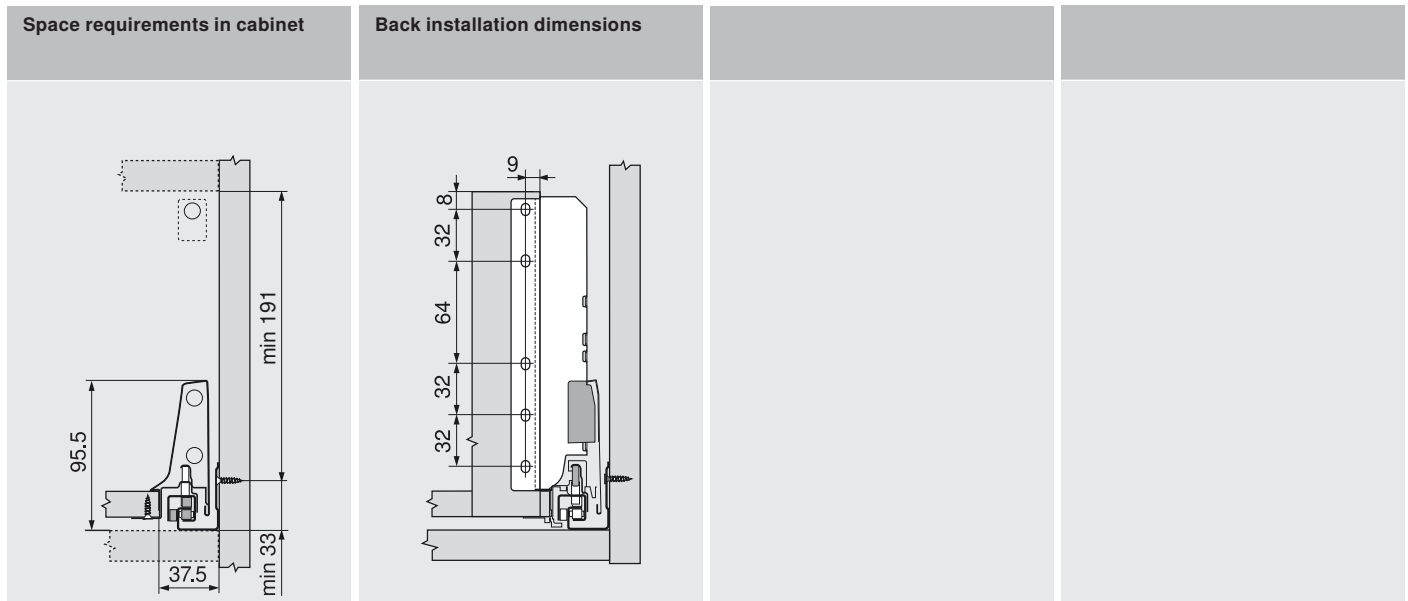
4a, 4b, 4c	Front fixing left/right			
	Colour variants	SW S	WGR	RAL7037
		Nylon		
		ZIF.74D0		
	Incl. locking piece Z31A0008			
	Incl. 2x gallery heads ZRG.000R5F			

5	Front section		
	Colour variants	SW TS	RAL9006 Nickel plated
		Aluminium	
	For cutting to size	Z31L1036A	

Page instructions	
Design element	40
TANDEMBOX cabinet profile	60

# Planning information

## Inner pull-out – gallery – D – M drawer side

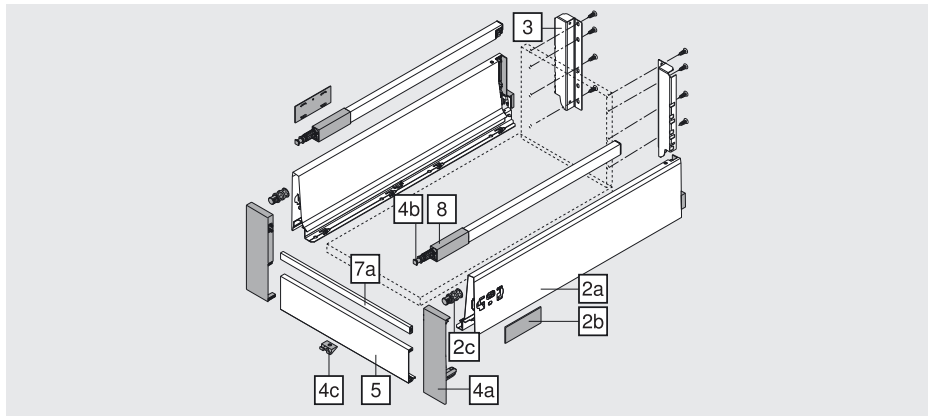


### Page instructions

Assembly, removal and adjustment

# Order specification

## Inner pull-out – gallery – D – K drawer side



2a, 2b, 2c	Drawer sides and cover caps left/right	
Colour variants	SW TS	RAL9006
Nominal length	Steel	
270 mm	358K2702SA	
300 mm	358K3002SA	
350 mm	358K3502SA	
400 mm	358K4002SA	
450 mm	358K4502SA	
500 mm	358K5002SA	
550 mm	358K5502SA	
600 mm	359K6002SA	
650 mm	359K6502SA	

3	Back fixing and gallery fixing left/right	
Colour variants	SW TS	RAL9006
	Steel	
	Z30D000SL	
Steel back	61	

4a, 4b, 4c	Front fixing left/right	
Colour variants	SW S WGR	
	Nylon	
	ZIF.74D0	
Incl. locking piece Z31A0008		
Incl. 2x gallery heads ZRG.000R5F		

5	Front section	
Colour variants	SW TS	RAL9006
	Aluminium	
For cutting to size	Z31L1036A	

7a	Cross gallery	
Colour variants	SW TS	RAL9006
	Aluminium	
For cutting to size	ZRG.1046Z	

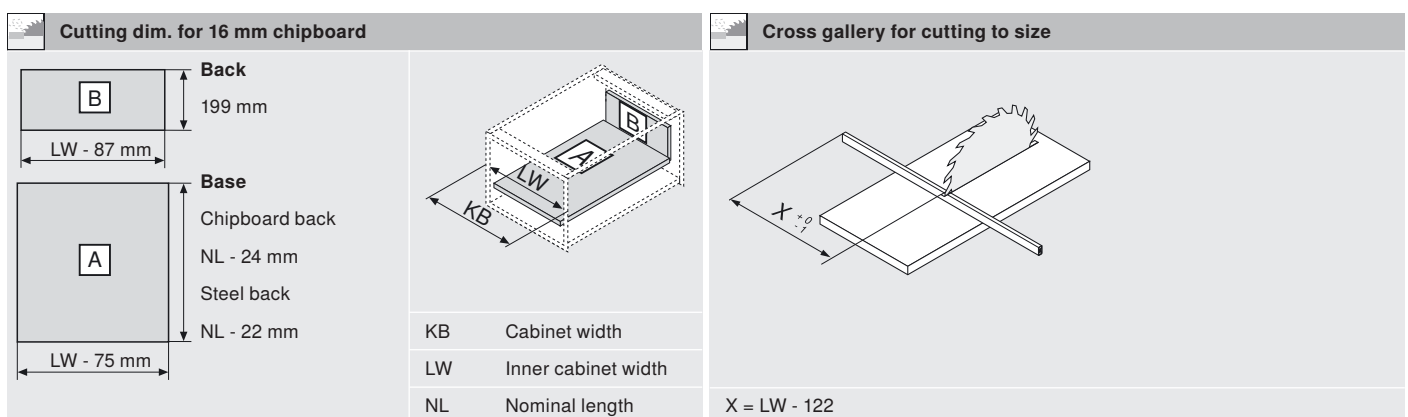
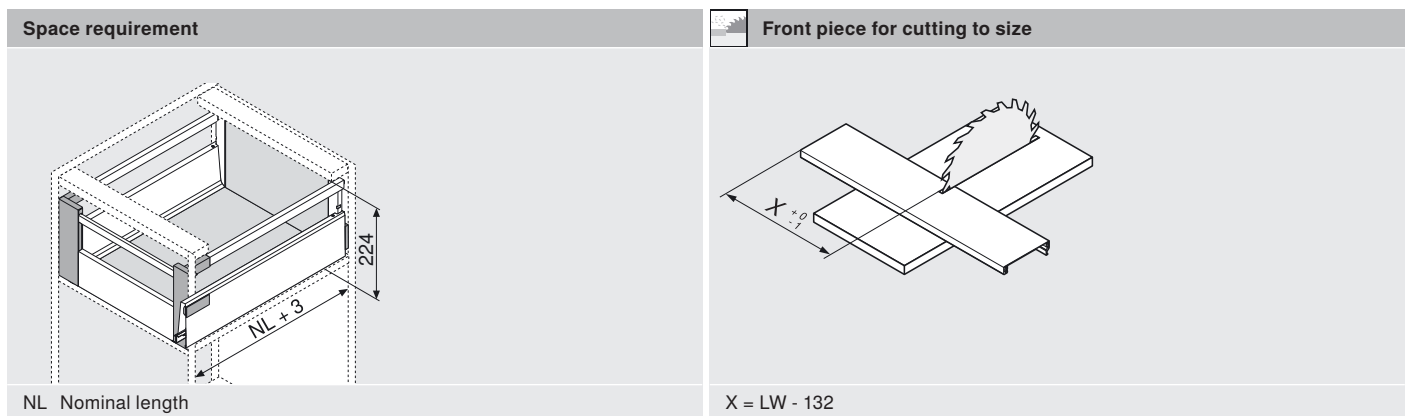
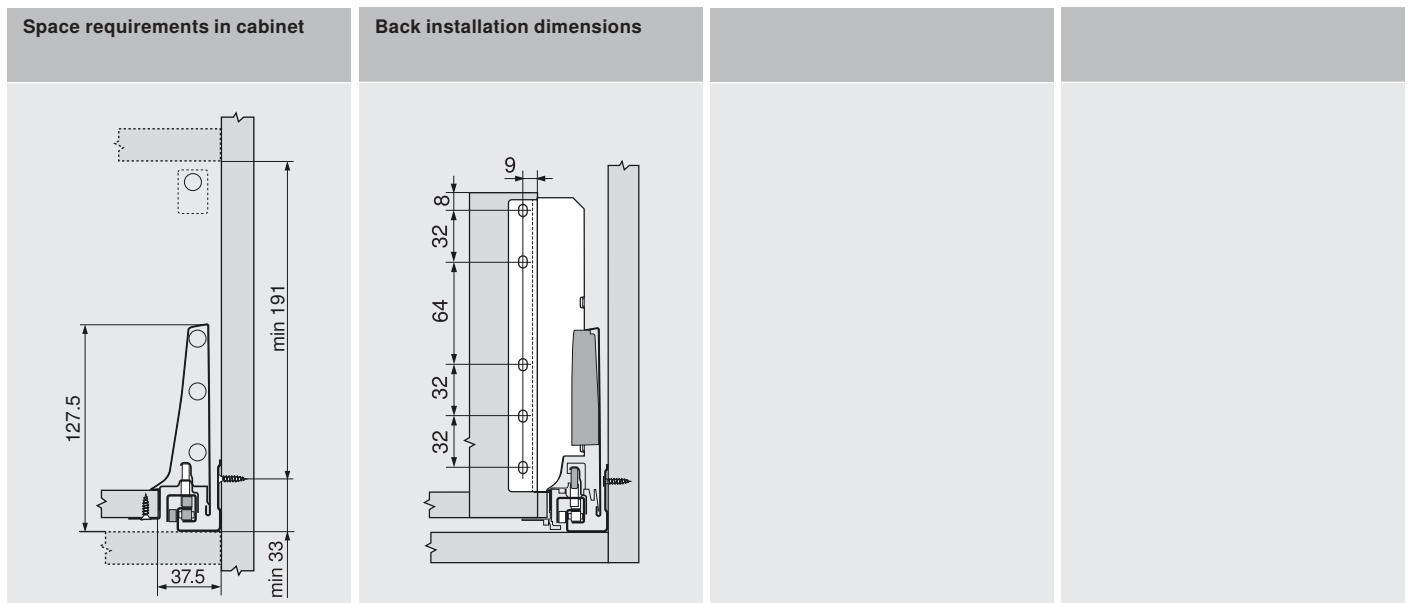
8	Longside gallery rail left/right	
Colour variants	SW TS	RAL9006
Nominal length	Steel	
270 mm	ZRG.207RSIC	
300 mm	ZRG.237RSIC	
350 mm	ZRG.287RSIC	
400 mm	ZRG.337RSIC	
450 mm	ZRG.387RSIC	
500 mm	ZRG.437RSIC	
550 mm	ZRG.487RSIC	
600 mm	ZRG.537RSIC	
650 mm	ZRG.587RSIC	

Page instructions	
TANDEMBOX cabinet profile	60



# Planning information

## Inner pull-out – gallery – D – K drawer side

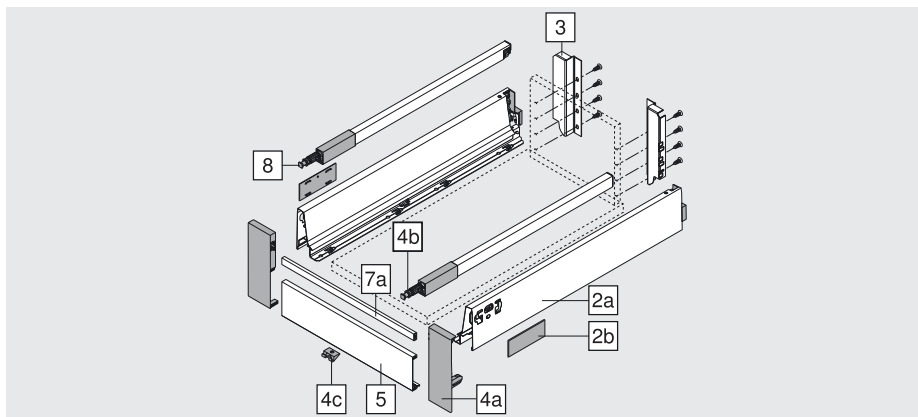


### Page instructions

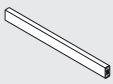
Assembly, removal and adjustment

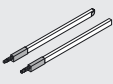
# Order specification

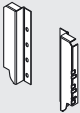
## Inner pull-out – gallery – C – M drawer side

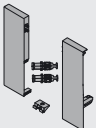


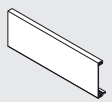
2a, 2b	Drawer sides and cover caps left/right		
	Colour variants	SW TS	RAL9006
	Nominal length	Steel	Stainless steel
	270 mm	358M2702SA	358M2702IA
	300 mm	358M3002SA	358M3002IA
	350 mm	358M3502SA	358M3502IA
	400 mm	358M4002SA	358M4002IA
	450 mm	358M4502SA	358M4502IA
	500 mm	358M5002SA	358M5002IA
	550 mm	358M5502SA	358M5502IA
	600 mm	359M6002SA	359M6002IA
	650 mm	359M6502SA	359M6502IA

7a	Cross gallery			
	Colour variants	SW TS	RAL9006	Nickel plated
			Aluminium	
	For cutting to size	ZRG.1046Z		

8	Longside gallery rail left/right		
	Colour variants	SW TS	RAL9006
	Nominal length	Steel	Stainless steel
	270 mm	ZRG.207RSIC	ZRG.207RIIC
	300 mm	ZRG.237RSIC	ZRG.237RIIC
	350 mm	ZRG.287RSIC	ZRG.287RIIC
	400 mm	ZRG.337RSIC	ZRG.337RIIC
	450 mm	ZRG.387RSIC	ZRG.387RIIC
	500 mm	ZRG.437RSIC	ZRG.437RIIC
	550 mm	ZRG.487RSIC	ZRG.487RIIC
	600 mm	ZRG.537RSIC	ZRG.537RIIC
	650 mm	ZRG.587RSIC	ZRG.587RIIC

3	Back fixing and gallery fixing left/right		
	Colour variants	SW TS	RAL9006 Nickel plated
		Steel	
		Z30C000S	
	Steel back	61	

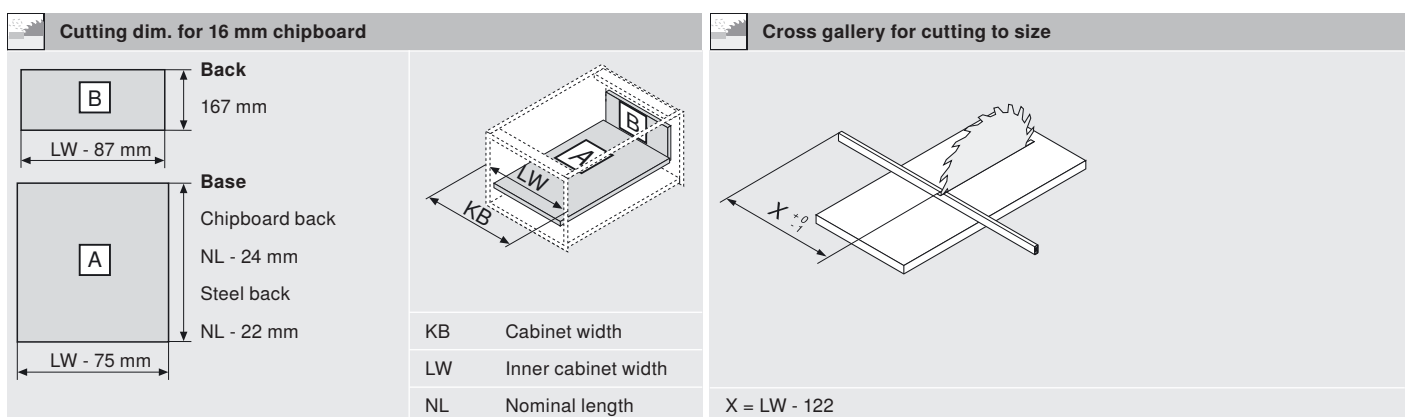
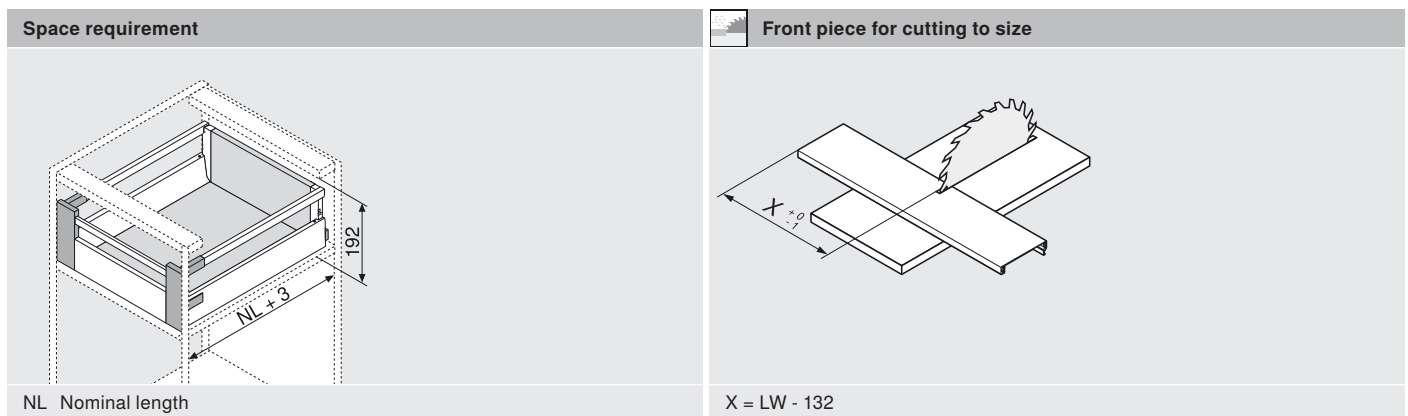
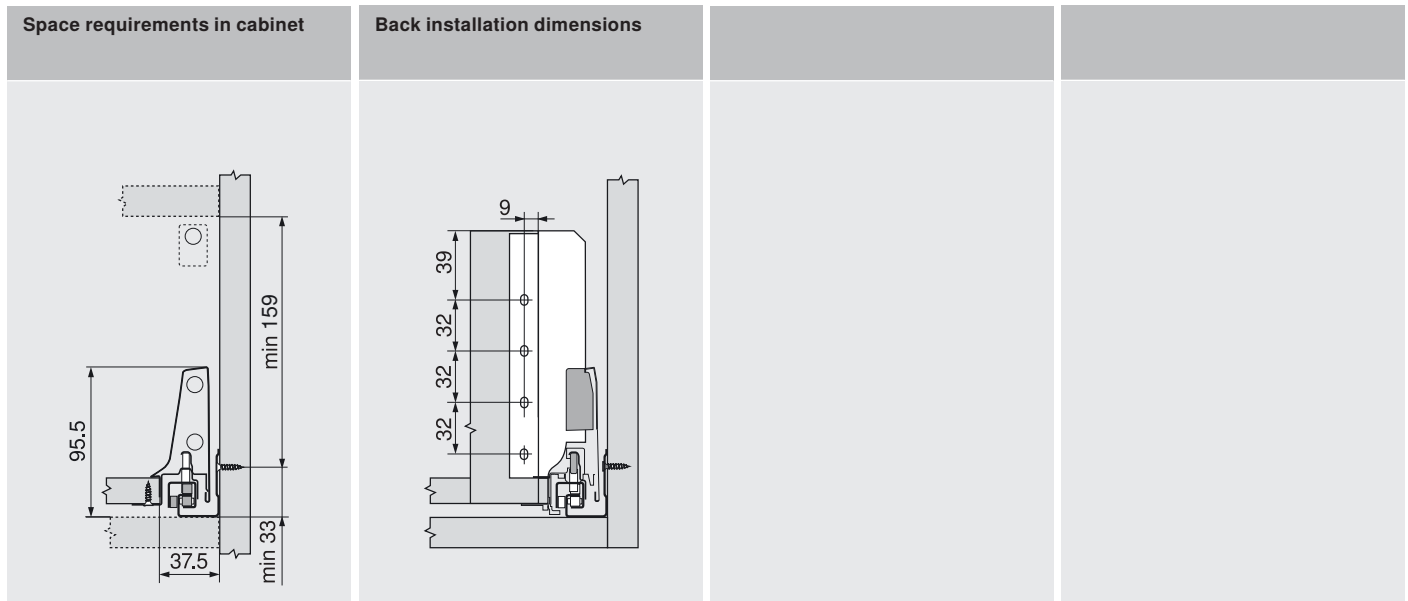
4a, 4b, 4c	Front fixing left/right			
	Colour variants	SW S	WGR	RAL7037
		Nylon		
		ZIF.74C0		
	Incl. locking piece Z31A0008			
	Incl. 2x gallery heads ZRG.000R5F			

5	Front section		
	Colour variants	SW TS	RAL9006 Nickel plated
		Aluminium	
	For cutting to size	Z31L1036A	

Page instructions	
Design element	40
TANDEMBOX cabinet profile	60

# Planning information

## Inner pull-out – gallery – C – M drawer side



### Page instructions

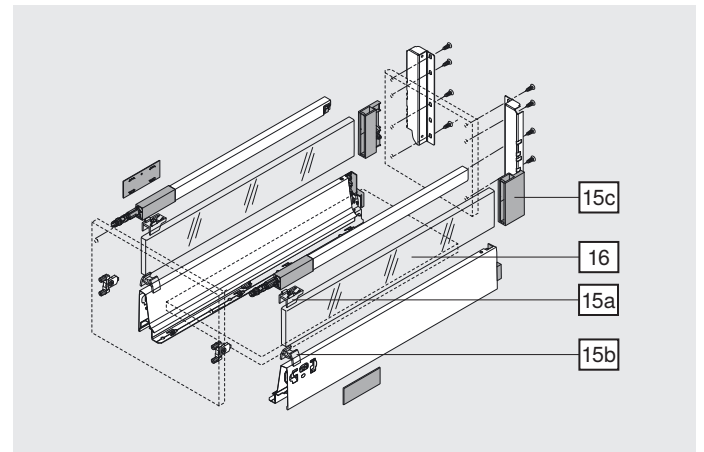
Assembly, removal and adjustment

# Order specification

## Design element – D – M drawer side



Locking piece set					
	Colour variants	SW	S	WGR	RAL7037
		Nylon			
	Includes:	Z36D0080			
15a	2x locking pieces front upper (transparent)				
15b	2x locking pieces front lower (transparent)				
15c	1x locking piece left/right				



16 Design element				
	Nominal length		Glass	
			Clear	Frosted
	270 mm	2x	Z37R237D	
	300 mm	2x	Z37R267D	
	350 mm	2x	Z37R317D	
	400 mm	2x	Z37R367D	
	450 mm	2x	Z37R417D	
	500 mm	2x	Z37R467D	
	550 mm	2x	Z37R517D	
	600 mm	2x	Z37R567D	
650 mm	2x	Z37R617D		

Design element cutting dimensions	
	In combination with TANDEMBOX antaro no impact test for vertical glass components is stipulated due to the dimensions given, see standard (DIN EN 14749 release Nov. 2005).
	Safety glass is not required in order to comply with the standard.
X = NL - 33	

16 Metal design element (can be cut down to suit smaller NL)					
	Colour variants	SW	TS	RAL9006	
	Nominal length		Aluminium		
	270 mm	2x	= 237 mm		
	300 mm	2x	= 267 mm		
	350 mm	2x	= 317 mm		
	400 mm	2x	= 367 mm		
	450 mm	2x	Z37A417D		
	500 mm	2x	Z37A467D		
	550 mm	2x	Z37A517D		
	600 mm	2x	= 567 mm		
650 mm	2x	Z37A617D			

### Page instructions

Assembly, removal and adjustment

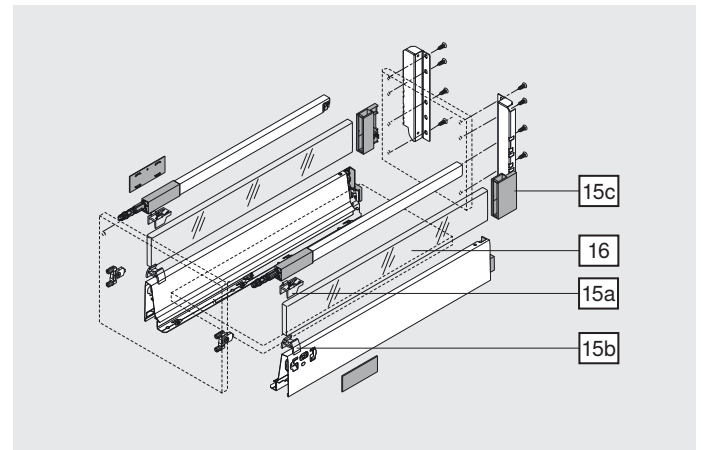


# Order specification

## Design element – C – M drawer side



Locking piece set					
	Colour variants	SW	S	WGR	RAL7037
	Nylon				
	Includes:	Z36C0080			
15a	2x locking pieces front upper (transparent)				
15b	2x locking pieces front lower (transparent)				
15c	1x locking piece left/right				



16 Design element				
	Nominal length		Glass	
			Clear	Frosted
	270 mm	2x	Z37R237C	
	300 mm	2x	Z37R267C	
	350 mm	2x	Z37R317C	
	400 mm	2x	Z37R367C	
	450 mm	2x	Z37R417C	
	500 mm	2x	Z37R467C	
	550 mm	2x	Z37R517C	
	600 mm	2x	Z37R567C	
650 mm	2x	Z37R617C		

**Design element cutting dimensions**

In combination with TANDEMBOX antaro no impact test for vertical glass components is stipulated due to the dimensions given, see standard (DIN EN 14749 release Nov. 2005).

Safety glass is not required in order to comply with the standard.

X = NL - 33

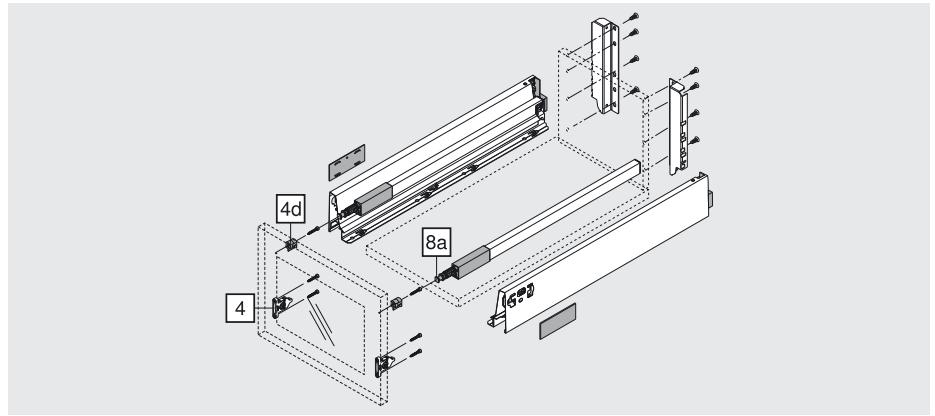
16 Metal design element (can be cut down to suit smaller NL)					
	Colour variants	SW	TS	RAL9006	
	Nominal length		Aluminium		
	270 mm	2x	= 237 mm		
	300 mm	2x	= 267 mm		
	350 mm	2x	= 317 mm		
	400 mm	2x	= 367 mm		
	450 mm	2x	Z37A417D		
	500 mm	2x	Z37A467D		
	550 mm	2x	Z37A517D		
	600 mm	2x	= 567 mm		
650 mm	2x	Z37A617D			


### Page instructions


Assembly, removal and adjustment


# Order specification

## High fronted pull-out with an alu frame – gallery – D/C – M drawer side



<b>4</b>	<b>Front fixing bracket</b>		
	Screw-on version	2x	<b>ZSF.3502</b>

<b>4d</b>	<b>Adapter for alu frames, symmetrical</b>		
	Colour variants		natural/white Nylon
		2x	<b>ZRF.2200.01</b>

<b>8a</b>	<b>Gallery head</b>		
	Colour variants		natural/white Nylon
		2x	<b>ZRG.000R5F</b>

<b>Page instructions</b>	
Design element	<b>40</b>
TANDEMBOX cabinet profile	<b>60</b>

# Planning information

## High fronted pull-out with an alu frame – gallery – D/C – M drawer side

Space requirements in cabinet	Front dimensions	Back installation dimensions	
<p>95.5 37.5 min 33 min 191*</p>	<p>FA Front overlay</p> <p>128* 32 47.5 9 15.5 FA Ø 2.5</p>	<p>Height D</p> <p>9 8 32 64 32 32</p>	<p>Height C</p> <p>9 39 32 32 32</p>
* Height C min 159	* Height C 96		

Space requirement
<p>224* NL + 3</p>
* Height C 192
NL Nominal length

Cutting dim. for 16 mm chipboard	
<p><b>Back</b> B 199 mm* LW - 87 mm</p>	<p>A B LW KB</p>
<p><b>Base</b> Chipboard back NL - 24 mm Steel back NL - 22 mm LW - 75 mm</p>	
* Height C 167	<p>KB Cabinet width LW Inner cabinet width NL Nominal length</p>

### Page instructions


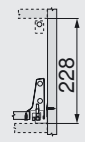
Assembly, removal and adjustment


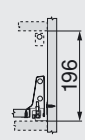
# Order specification


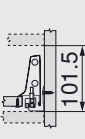
## SPACE CORNER with SYNCROMOTION



Icon image

High fronted pull-out			Colour			
 SPACE CORNER with SYNCROMOTION – gallery – D						
			SW	TS	RAL9006	
			Steel			Stainless steel

High fronted pull-out			Colour			
 SPACE CORNER with SYNCROMOTION – gallery – C						
			SW	TS	RAL9006	
			Steel			Stainless steel

Drawer			Colour			
 SPACE CORNER with SYNCROMOTION – M						
			SW	TS	RAL9006	
			Steel			Stainless steel

Please use our **DYNALOG** software for planning, ordering and assembly.

Order specification	
Design element	40
TANDEMBOX cabinet profile	60







# Order specification

## SPACE CORNER with rigid fronts



Icon image

High fronted pull-out		Colour			
 SPACE CORNER with Rigid fronts – gallery – D					
		SW	TS	RAL9006	
		Steel			Stainless steel

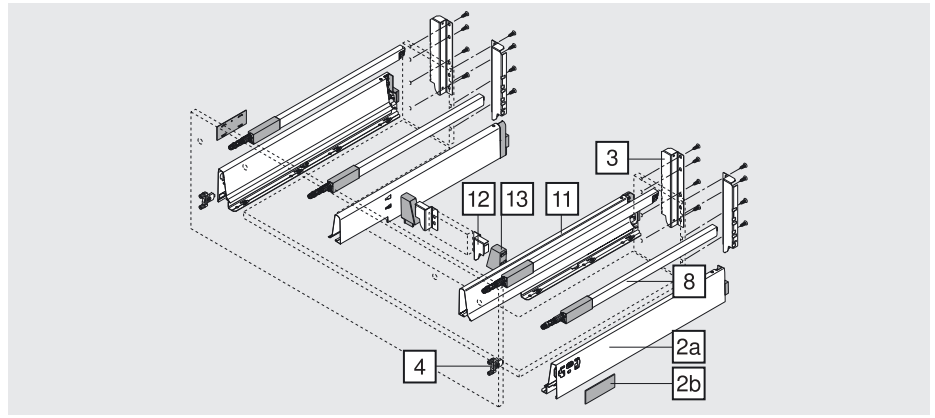
Drawer		Colour			
 SPACE CORNER with Rigid fronts – M					
		SW	TS	RAL9006	
		Steel			Stainless steel

Please use our **DYNALOG** software for planning, ordering and assembly.

Order specification	
Design element	40
TANDEMBOX cabinet profile	60

# Order specification

## Sink pull-out – gallery – D – M drawer side



2a, 2b	Drawer sides and cover caps left/right		
	Colour variants	SW TS RAL9006	
	Nominal length	Steel	Stainless steel
	450 mm	<b>358M4502SA</b>	<b>358M4502IA</b>
	500 mm	<b>358M5002SA</b>	<b>358M5002IA</b>
	550 mm	<b>358M5502SA</b>	<b>358M5502IA</b>
	600 mm	<b>359M6002SA</b>	<b>359M6002IA</b>
	650 mm	<b>359M6502SA</b>	<b>359M6502IA</b>

11	Sink drawer side left/right		
	Colour variants	SW TS RAL9006	
	Nominal length	Steel	Stainless steel
	450 mm	<b>358M4504SG</b>	<b>358M4504IG</b>
	500 mm	<b>358M5004SG</b>	<b>358M5004IG</b>
	550 mm	<b>358M5504SG</b>	<b>358M5504IG</b>
	600 mm	<b>358M6004SG</b>	<b>358M6004IG</b>
	650 mm	<b>358M6504SG</b>	<b>358M6504IG</b>

3	Back fixing and gallery fixing left/right		
	Colour variants	SW TS RAL9006	Nickel plated
		Steel	
	2x	<b>Z30D000SL</b>	
	Steel back		<b>61</b>

12	Back fixing left/right		
	Colour variants	SW TS RAL9006	Nickel plated
		Steel	
		<b>Z30N000S.04</b>	
	Steel back		<b>61</b>

4	Front fixing bracket		
	INSERTA version	2x	<b>ZSF.3902</b>
	Screw-on version	2x	<b>ZSF.3502</b>
	Knock-in version	2x	<b>ZSF.3602</b>

13	Adapter left/right		
	Colour variants	RAL7037	
		Nylon	
		<b>Z30N0002.6Z</b>	

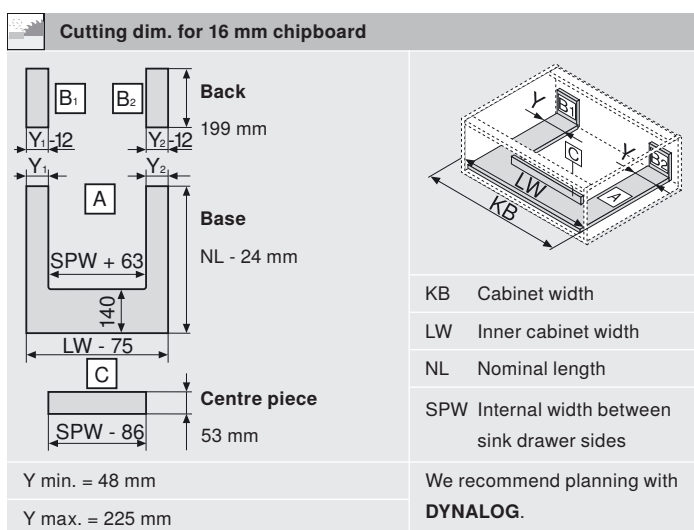
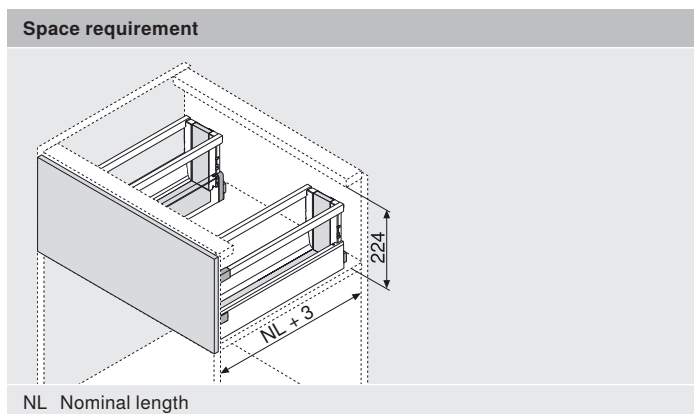
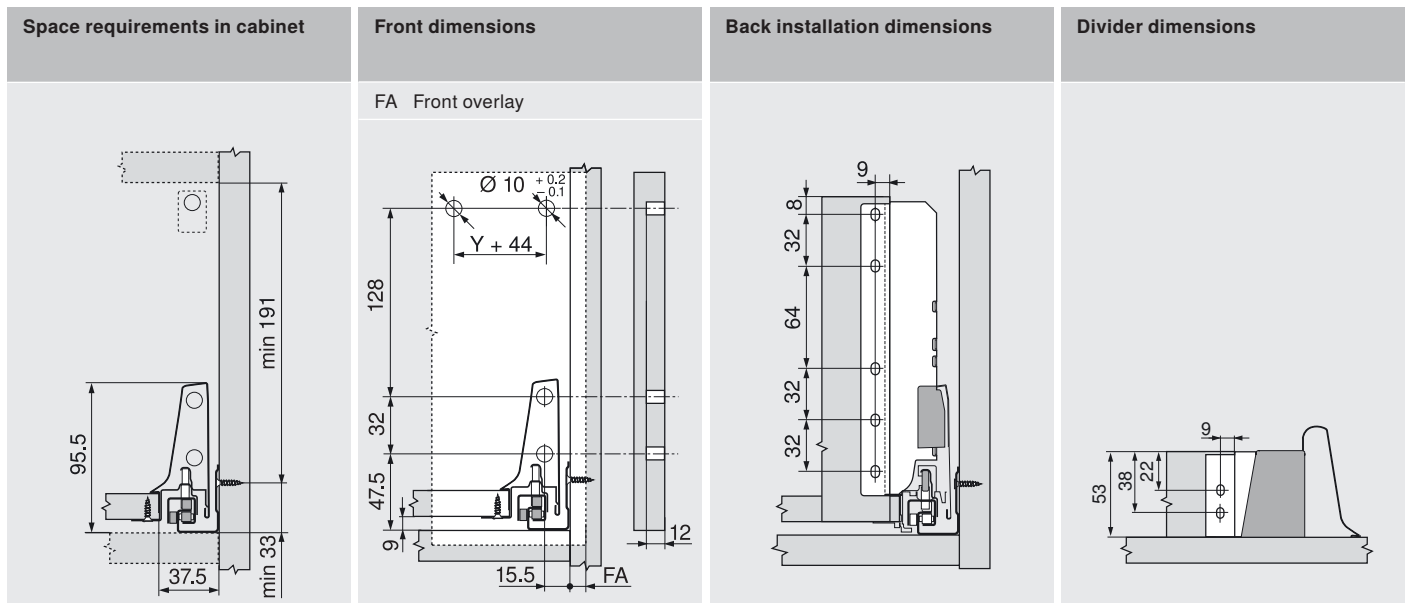
8	Longside gallery rail left/right		
	Colour variants	SW TS RAL9006	
	Nominal length	Steel	Stainless steel
	450 mm	2x <b>ZRG.387RSIC</b>	<b>ZRG.387RIIC</b>
	500 mm	2x <b>ZRG.437RSIC</b>	<b>ZRG.437RIIC</b>
	550 mm	2x <b>ZRG.487RSIC</b>	<b>ZRG.487RIIC</b>
	600 mm	2x <b>ZRG.537RSIC</b>	<b>ZRG.537RIIC</b>
	650 mm	2x <b>ZRG.587RSIC</b>	<b>ZRG.587RIIC</b>

Front stabilisation		
	For stabilising wide and high fronts	<b>Z96.10E1</b>
	Reinforces the connection between the drawer side and the front	
	Planning	<b>63</b>

Page instructions	
Design element	<b>40</b>
TANDEMBOX cabinet profile	<b>60</b>

# Planning information

## Sink pull-out – gallery – D – M drawer side

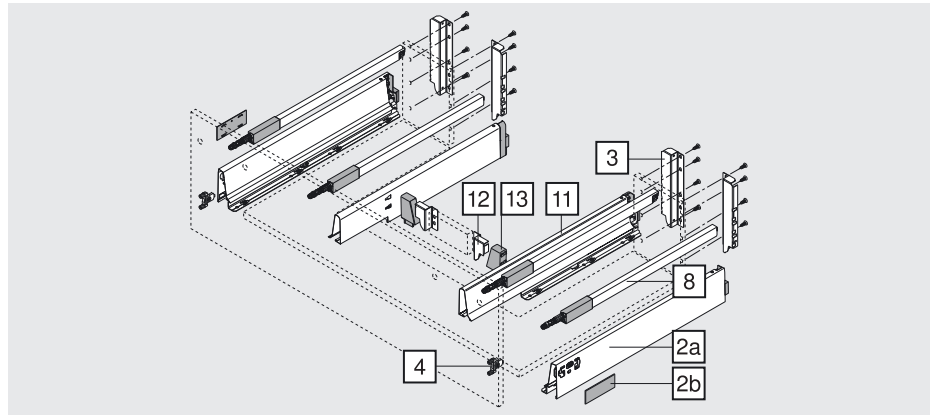


### Page instructions

Assembly, removal and adjustment

# Order specification

## Sink pull-out – gallery – C – M drawer side



2a, 2b	Drawer sides and cover caps left/right		
	Colour variants	SW TS RAL9006	
	Nominal length	Steel	Stainless steel
	450 mm	<b>358M4502SA</b>	<b>358M4502IA</b>
	500 mm	<b>358M5002SA</b>	<b>358M5002IA</b>
	550 mm	<b>358M5502SA</b>	<b>358M5502IA</b>
	600 mm	<b>359M6002SA</b>	<b>359M6002IA</b>
	650 mm	<b>359M6502SA</b>	<b>359M6502IA</b>

11	Sink drawer side left/right		
	Colour variants	SW TS RAL9006	
	Nominal length	Steel	Stainless steel
	450 mm	<b>358M4504SG</b>	<b>358M4504IG</b>
	500 mm	<b>358M5004SG</b>	<b>358M5004IG</b>
	550 mm	<b>358M5504SG</b>	<b>358M5504IG</b>
	600 mm	<b>358M6004SG</b>	<b>358M6004IG</b>
	650 mm	<b>358M6504SG</b>	<b>358M6504IG</b>

3	Back fixing and gallery fixing left/right		
	Colour variants	SW TS RAL9006	Nickel plated
		Steel	
	2x	<b>Z30C000S</b>	
	Steel back		<b>61</b>

12	Back fixing left/right		
	Colour variants	SW TS RAL9006	Nickel plated
		Steel	
		<b>Z30N000S.04</b>	
	Steel back		<b>61</b>

4	Front fixing bracket		
	INSERTA version	2x	<b>ZSF.3902</b>
	Screw-on version	2x	<b>ZSF.3502</b>
	Knock-in version	2x	<b>ZSF.3602</b>

13	Adapter left/right	
	Colour variants	RAL7037 Nylon
		<b>Z30N0002.6Z</b>

8	Longside gallery rail left/right		
	Colour variants	SW TS RAL9006	
	Nominal length	Steel	Stainless steel
	450 mm	2x <b>ZRG.387RSIC</b>	<b>ZRG.387RIIC</b>
	500 mm	2x <b>ZRG.437RSIC</b>	<b>ZRG.437RIIC</b>
	550 mm	2x <b>ZRG.487RSIC</b>	<b>ZRG.487RIIC</b>
	600 mm	2x <b>ZRG.537RSIC</b>	<b>ZRG.537RIIC</b>
	650 mm	2x <b>ZRG.587RSIC</b>	<b>ZRG.587RIIC</b>

Front stabilisation		
	For stabilising wide and high fronts	<b>Z96.10E1</b>
	Reinforces the connection between the drawer side and the front	
	Planning	<b>63</b>

Page instructions	
Design element	<b>40</b>
TANDEMBOX cabinet profile	<b>60</b>



# Planning information

## Sink pull-out – gallery – C – M drawer side

Space requirements in cabinet	Front dimensions	Back installation dimensions	Divider dimensions
	<p>FA Front overlay</p>		

Space requirement
NL Nominal length

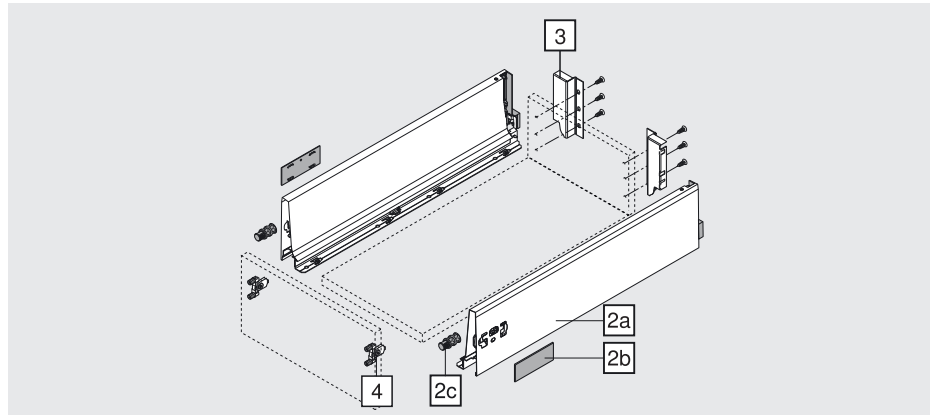
Cutting dim. for 16 mm chipboard	
KB Cabinet width LW Inner cabinet width NL Nominal length SPW Internal width between sink drawer sides	Y min. = 48 mm Y max. = 225 mm
We recommend planning with <b>DYNALOG</b> .	

### Page instructions

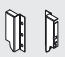
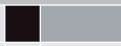
Assembly, removal and adjustment


# Order specification

## Drawer – K



2a, 2b, 2c	Drawer sides and cover caps left/right	
		
Colour variants	SW TS	RAL9006
Nominal length	Steel	
270 mm	358K2702SA	
300 mm	358K3002SA	
350 mm	358K3502SA	
400 mm	358K4002SA	
450 mm	358K4502SA	
500 mm	358K5002SA	
550 mm	358K5502SA	
600 mm	359K6002SA	
650 mm	359K6502SA	

3	Back fixing left/right	
		
Colour variants	SW TS	RAL9006
	Steel	
	Z30K000S	
Steel back		61

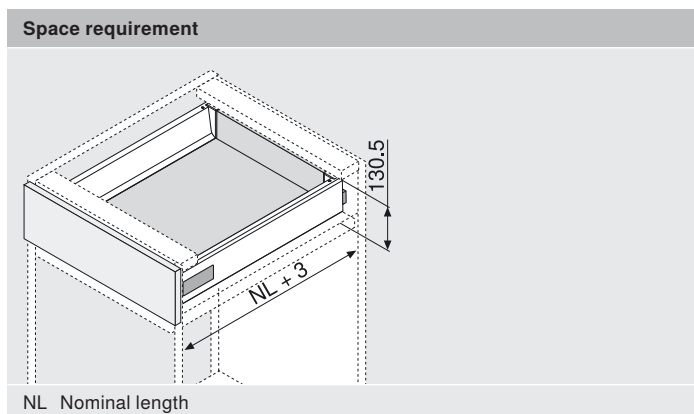
4	Front fixing bracket	
	INSERTA version	2x ZSF.3902
	Screw-on version	2x ZSF.3502
	Knock-in version	2x ZSF.3602

Page instructions	
TANDEMBOX cabinet profile	60

# Planning information

## Drawer – K

Space requirements in cabinet	Front dimensions	Back installation dimensions	
	<p>FA Front overlay</p>		



**Cutting dim. for 16 mm chipboard**

<p><b>Back</b> 116 mm LW - 87 mm</p>	
<p><b>Base</b> Chipboard back NL - 24 mm Steel back NL - 22 mm LW - 75 mm</p>	
	<p>KB Cabinet width LW Inner cabinet width NL Nominal length</p>

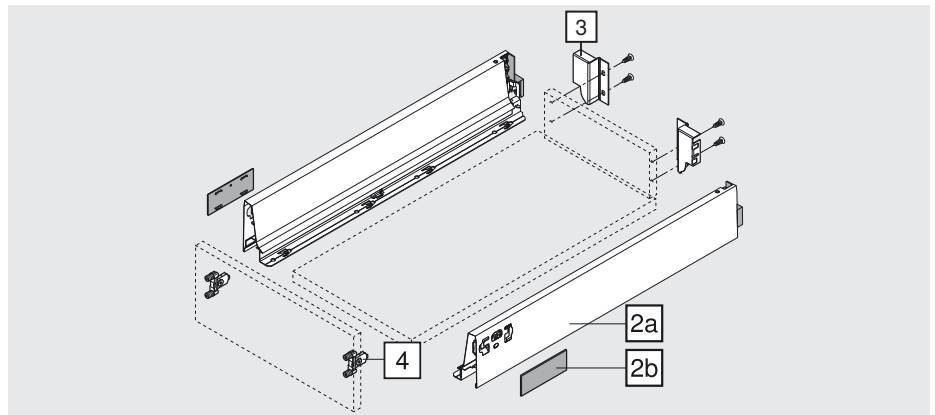
### Page instructions

Assembly, removal and adjustment

70

# Order specification

## Drawer – M



2a, 2b	Drawer sides and cover caps left/right		
		■	
Colour variants	SW	TS	RAL9006
Nominal length		Steel	Stainless steel
270 mm		358M2702SA	358M2702IA
300 mm		358M3002SA	358M3002IA
350 mm		358M3502SA	358M3502IA
400 mm		358M4002SA	358M4002IA
450 mm		358M4502SA	358M4502IA
500 mm		358M5002SA	358M5002IA
550 mm		358M5502SA	358M5502IA
600 mm		359M6002SA	359M6002IA
650 mm		359M6502SA	359M6502IA

3	Back fixing left/right		
		■	
Colour variants	SW	TS	RAL9006
			Nickel plated
		Steel	
		Z30M000S.04	
Steel back			61

4	Front fixing bracket		
	INSERTA version	2x	ZSF.3902
	Screw-on version	2x	ZSF.3502
	Knock-in version	2x	ZSF.3602

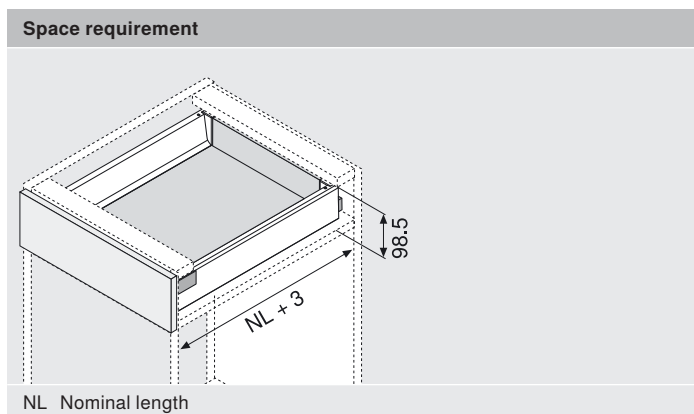
Page instructions	
TANDEMBOX cabinet profile	60



# Planning information

## Drawer – M

Space requirements in cabinet	Front dimensions	Back installation dimensions	
	<p>FA Front overlay</p>		



**Cutting dim. for 16 mm chipboard**

	<table border="1"> <tbody> <tr> <td>KB</td> <td>Cabinet width</td> </tr> <tr> <td>LW</td> <td>Inner cabinet width</td> </tr> <tr> <td>NL</td> <td>Nominal length</td> </tr> </tbody> </table>	KB	Cabinet width	LW	Inner cabinet width	NL	Nominal length
KB	Cabinet width						
LW	Inner cabinet width						
NL	Nominal length						

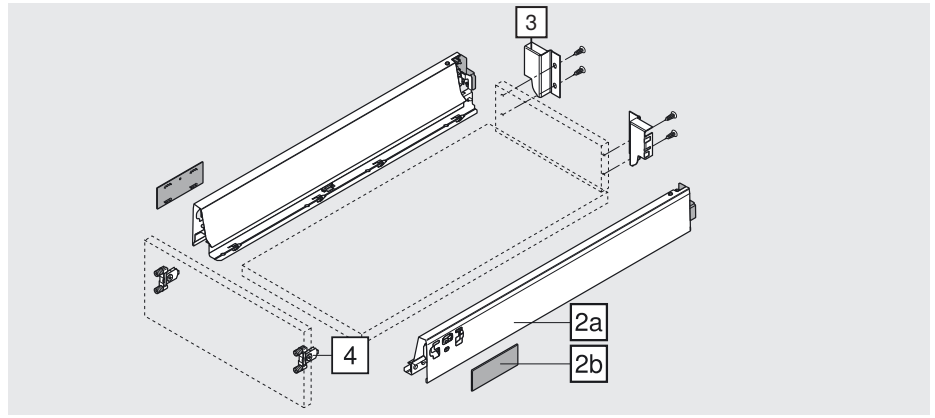
### Page instructions

Assembly, removal and adjustment

70

# Order specification

## Drawer – N



2a, 2b	Drawer sides and cover caps left/right		
Colour variants	SW	TS	RAL9006
Nominal length	Steel		Stainless steel
400 mm	358N4002SA		358N4002IA
450 mm	358N4502SA		358N4502IA
500 mm	358N5002SA		358N5002IA
550 mm	358N5502SA		358N5502IA

3	Back fixing left/right		
Colour variants	SW	TS	RAL9006 Nickel plated
	Steel		
	Z30N000S.04		
Steel back			61

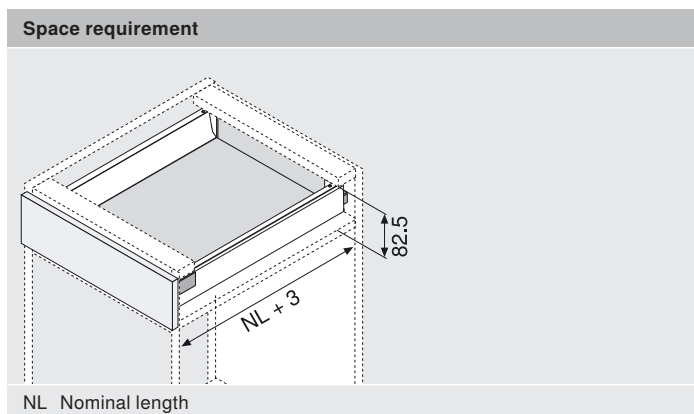
4	Front fixing bracket		
	INSERTA version	2x	ZSF.3902
	Screw-on version	2x	ZSF.3502
	Knock-in version	2x	ZSF.3602

Page instructions		
TANDEMBOX cabinet profile		60

# Planning information

## Drawer – N

Space requirements in cabinet	Front dimensions	Back installation dimensions	
	<p>FA Front overlay</p>		



**Cutting dim. for 16 mm chipboard**

	<p><b>Back</b> 69 mm</p>	
	<p><b>Base</b> Chipboard back NL - 24 mm Steel back NL - 22 mm</p>	
		<p>KB Cabinet width LW Inner cabinet width NL Nominal length</p>

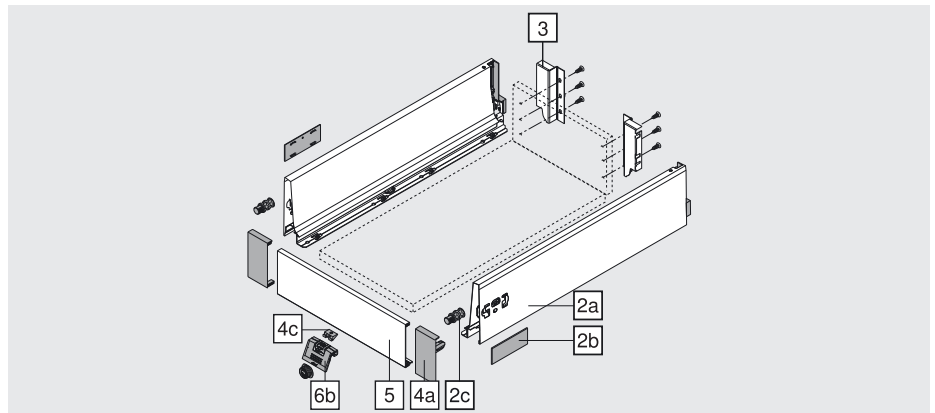
### Page instructions

Assembly, removal and adjustment

70

# Order specification

## Inner drawer – K



2a, 2b, 2c	Drawer sides and cover caps left/right			
Colour variants	SW	TS	RAL9006	
Nominal length	Steel			
270 mm	358K2702SA			
300 mm	358K3002SA			
350 mm	358K3502SA			
400 mm	358K4002SA			
450 mm	358K4502SA			
500 mm	358K5002SA			
550 mm	358K5502SA			
600 mm	359K6002SA			
650 mm	359K6502SA			

3	Back fixing left/right			
Colour variants	SW	TS	RAL9006	
	Steel			
	Z30K000S			
Steel back				61

4a, 4c	Front fixing left/right			
Colour variants	SW	S	WGR	
	Nylon			
	ZIF.71K0			
Incl. locking piece Z31A0008				

5	Front section			
Colour variants	SW	TS	RAL9006	
	Aluminium			
For cutting to size	Z31L1036A			

6a	Handle			
Colour variants	SW	S	WGR	
	Nylon			
	ZIF.80M5			

### Alternative to 6a

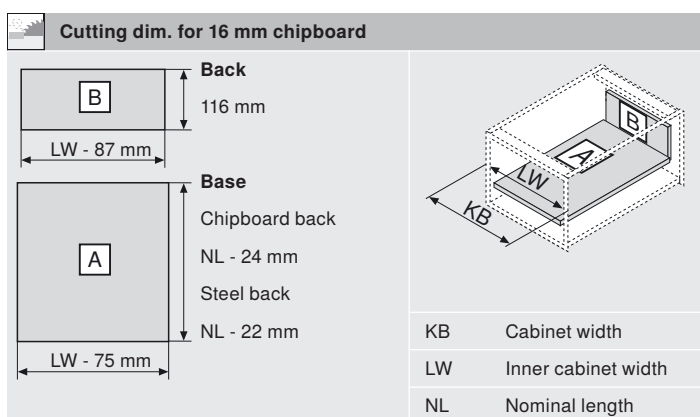
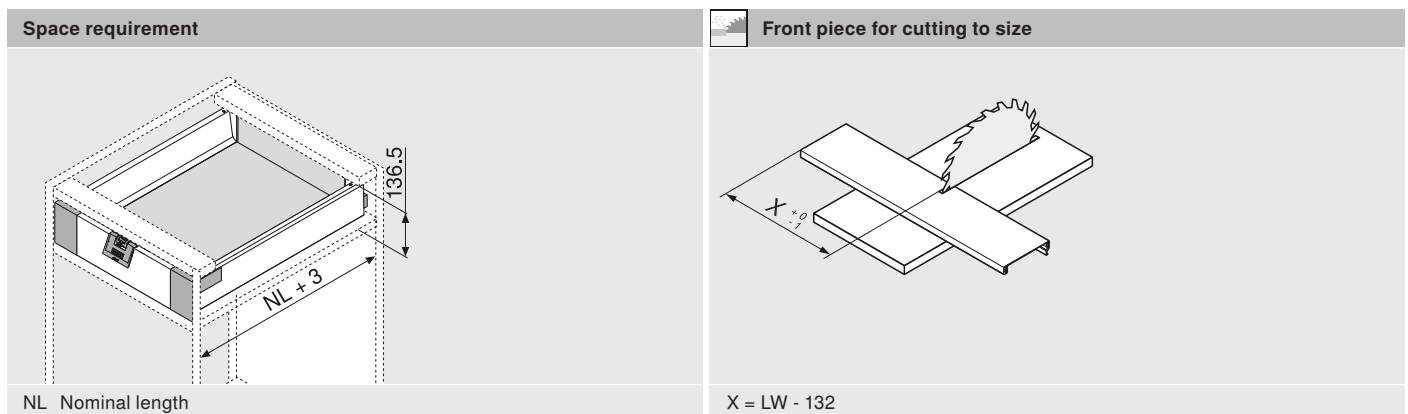
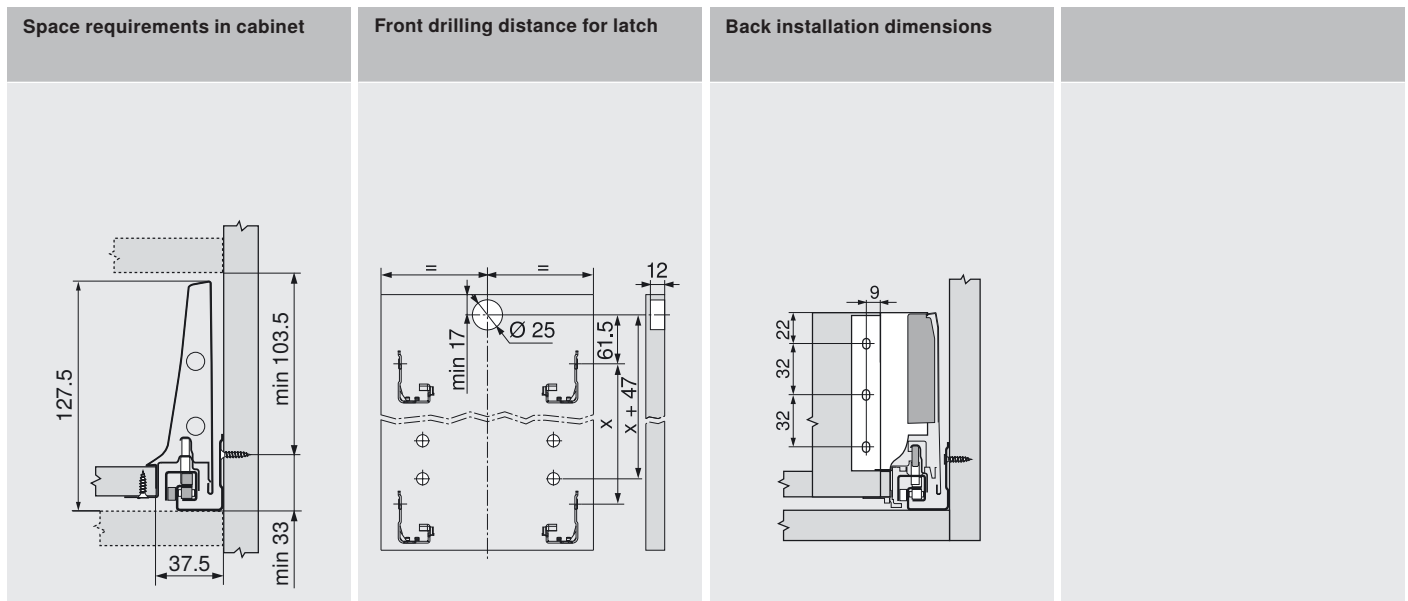
6b	Handle and latch (optional)			
Colour variants	SW	S	WGR	
	Nylon			
	ZIF.80M7			

### Page instructions

TANDEMBOX cabinet profile	60
---------------------------	----

# Planning information

## Inner drawer – K



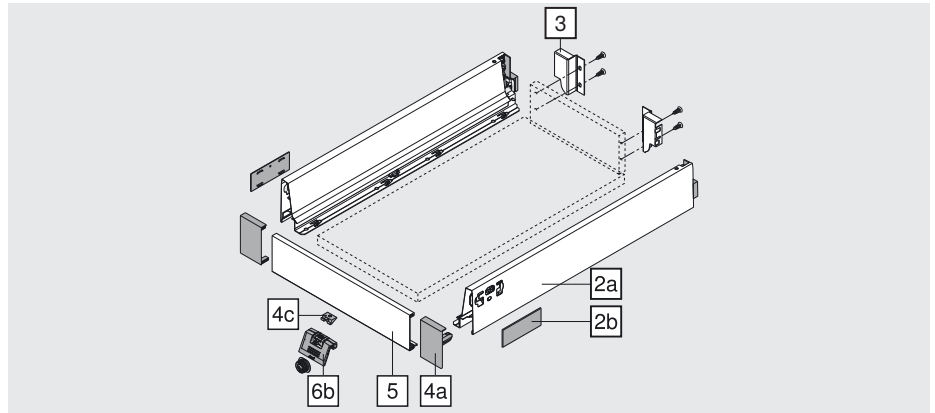
### Page instructions

Assembly, removal and adjustment



# Order specification

## Inner drawer – M



2a, 2b	Drawer sides and cover caps left/right			
Colour variants	SW	TS	RAL9006	
Nominal length	Steel		Stainless steel	
270 mm	358M2702SA		358M2702IA	
300 mm	358M3002SA		358M3002IA	
350 mm	358M3502SA		358M3502IA	
400 mm	358M4002SA		358M4002IA	
450 mm	358M4502SA		358M4502IA	
500 mm	358M5002SA		358M5002IA	
550 mm	358M5502SA		358M5502IA	
600 mm	359M6002SA		359M6002IA	
650 mm	359M6502SA		359M6502IA	

6a	Handle				
Colour variants	SW	S	WGR	RAL7037	
	Nylon				
	ZIF.80M5				

### Alternative to 6a

6b	Handle and latch (optional)				
Colour variants	SW	S	WGR	RAL7037	
	Nylon				
	ZIF.80M7				

### Page instructions

TANDEMBOX cabinet profile	60
---------------------------	----

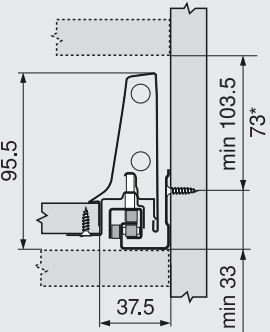
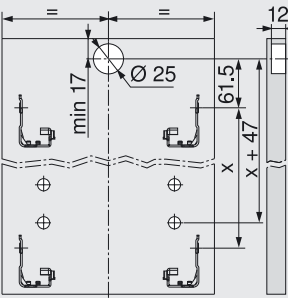
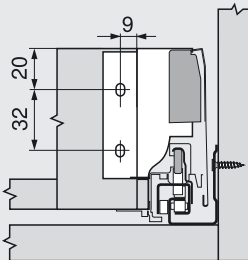
3	Back fixing left/right			
Colour variants	SW	TS	RAL9006	Nickel plated
	Steel			
	Z30M000S.04			
Steel back				61

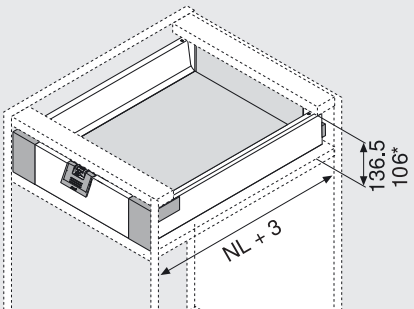
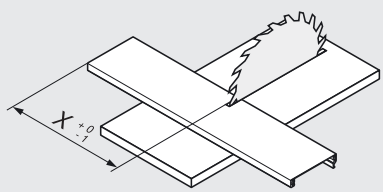
4a, 4c	Front fixing left/right			
Colour variants	SW	S	WGR	RAL7037
	Nylon			
	ZIF.71M0			
Incl. locking piece Z31A0008				

5	Front section			
Colour variants	SW	TS	RAL9006	Nickel plated
	Aluminium			
For cutting to size	Z31L1036A			

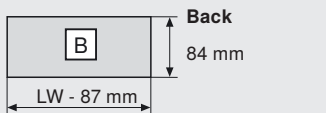
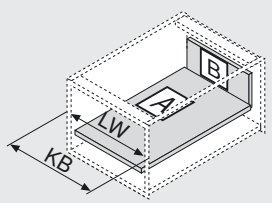
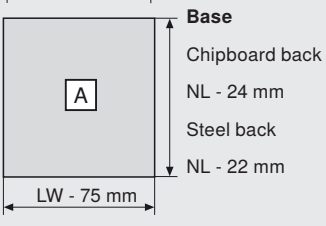
# Planning information

## Inner drawer – M

Space requirements in cabinet	Front drilling distance for latch	Back installation dimensions	
<p>* With ZIF.80M7 can be used with height 73 and higher</p> 			

Space requirement	Front piece for cutting to size
 <p>* With handle ZIF.80M7 NL Nominal length</p>	 <p><math>X = LW - 132</math></p>

**Cutting dim. for 16 mm chipboard**


 <p><b>Back</b> 84 mm LW - 87 mm</p>							
 <p><b>Base</b> Chipboard back NL - 24 mm Steel back NL - 22 mm LW - 75 mm</p>							
<table border="1"> <tr> <td>KB</td> <td>Cabinet width</td> </tr> <tr> <td>LW</td> <td>Inner cabinet width</td> </tr> <tr> <td>NL</td> <td>Nominal length</td> </tr> </table>		KB	Cabinet width	LW	Inner cabinet width	NL	Nominal length
KB	Cabinet width						
LW	Inner cabinet width						
NL	Nominal length						

### Page instructions

Assembly, removal and adjustment

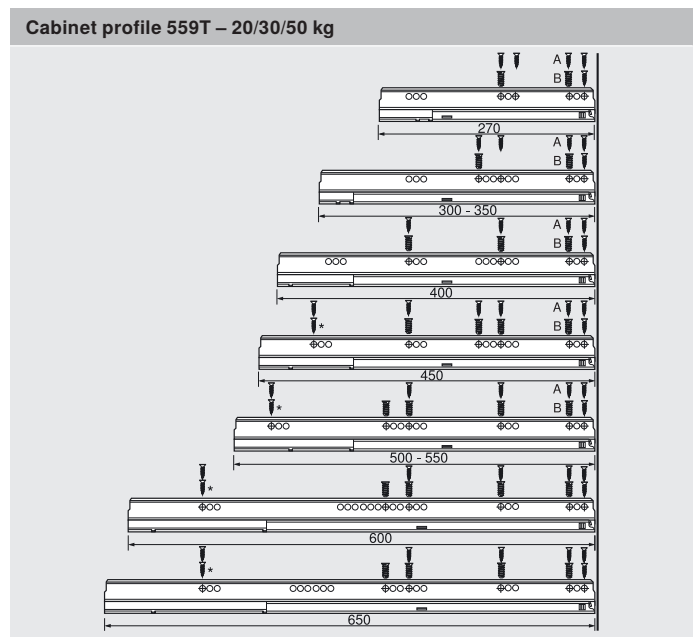
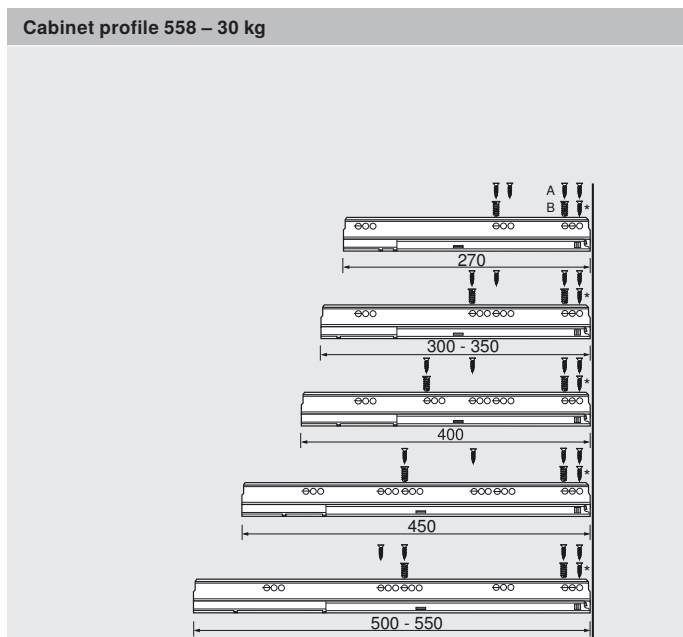
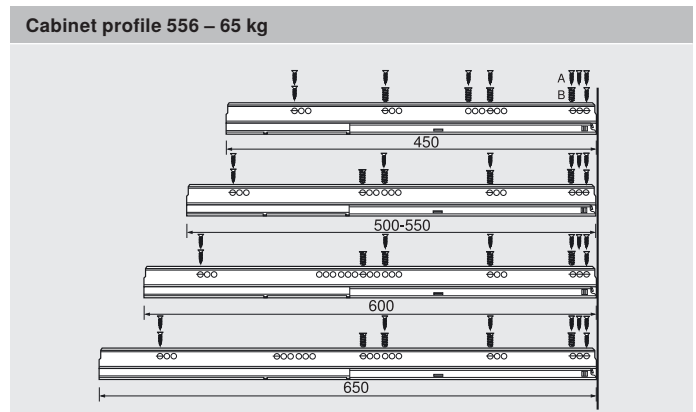
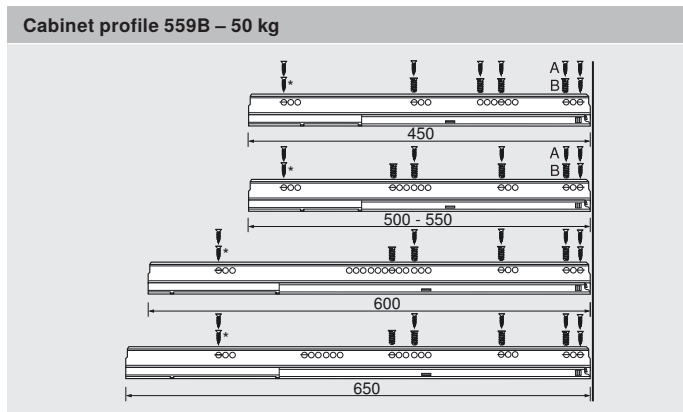
# Order specification

## TANDEMBOX cabinet profile

Cabinet profiles left/right		BLUMOTION*			TIP-ON		
	Nominal length	30 kg	50 kg	65 kg	20 kg	30 kg	50 kg
	270 mm	558.2701B			559.2701T		
	300 mm	558.3001B			559.3001T		
	350 mm	558.3501B01				559.3501T	
	400 mm	558.4001B01				559.4001T	
	450 mm	558.4501B01	559.4501B	556.4501B			559.4501T
	500 mm	558.5001B	559.5001B	556.5001B			559.5001T
	550 mm	558.5501B	559.5501B	556.5501B			559.5501T
	600 mm		559.6001B	556.6001B			559.6001T
	650 mm		559.6501B	556.6501B			559.6501T

\* Suitable for SERVO-DRIVE

### Cabinet profile fixing positions



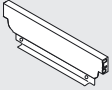
A Chipboard screw  $\varnothing 4 \times 15$  mm

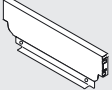
B System screw Part no. 661.145

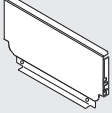
\* Optional

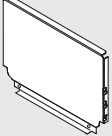
# Order specification

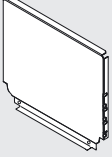
## Accessories – Steel back

	<b>N back</b>				
	Colour variants	SW	TS	RAL9006	Nickel plated
		Steel			
		☎ Z30NxxxS.6			

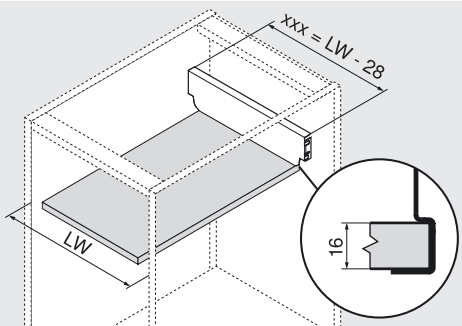
	<b>M back</b>				
	Colour variants	SW	TS	RAL9006	Nickel plated
		Steel			
		☎ Z30MxxxS.6			

	<b>K drawer back</b>				
	Colour variants	SW	TS	RAL9006	Nickel plated
		Steel			
		☎ Z30KxxxS.6			

	<b>C drawer back</b>				
	Colour variants	SW	TS	RAL9006	Nickel plated
		Steel			
		☎ Z30CxxxS.6			

	<b>D back</b>				
	Colour variants	SW	TS	RAL9006	Nickel plated
		Steel			
		☎ Z30DxxxS.6			

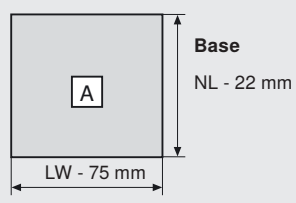
**Calculation of width**



LW Inner cabinet width      xxx Width

**Example:**  
 Internal cabinet width 567 mm - 28 mm = back width 539 mm  
 Order: **Z30M539S** in white

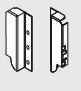
**Cutting dim. for 16 mm chipboard**

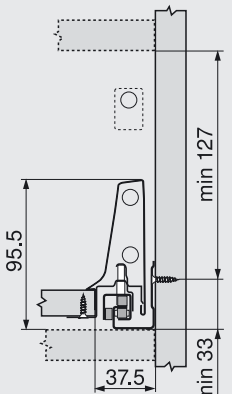
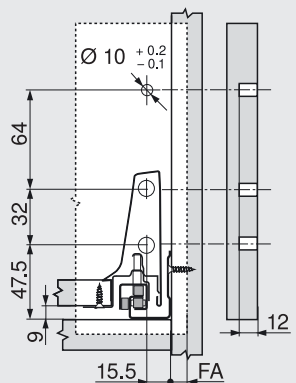
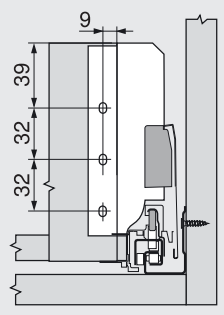


LW Inner cabinet width  
 NL Nominal length

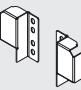
# Order and planning information

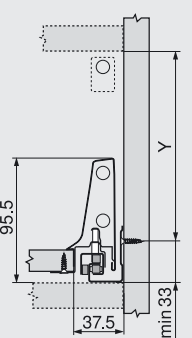
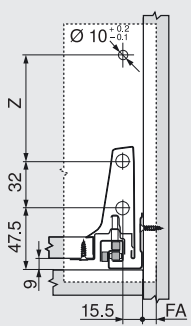
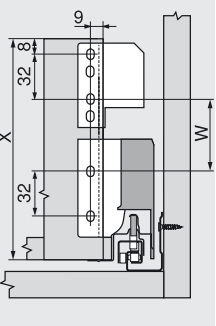
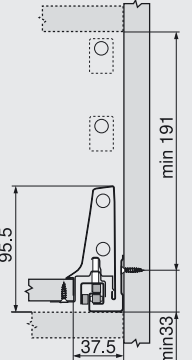
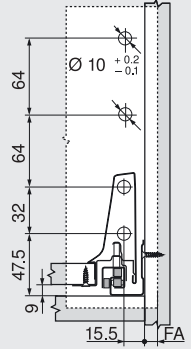
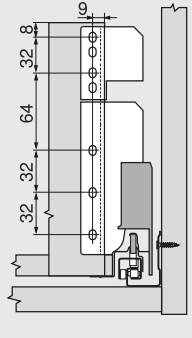
## Accessories – Back and gallery fixing – B – M drawer side

Back fixing and gallery fixing left/right			
	Colour variants	SW TS RAL9006	Nickel plated
		Steel	
	Z30B000S.04		

Space requirements in cabinet	Front dimensions	Back installation dimensions	
	FA Front overlay 		

## Accessories – flexible gallery fixing

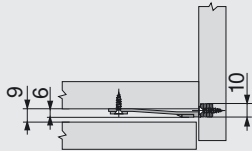
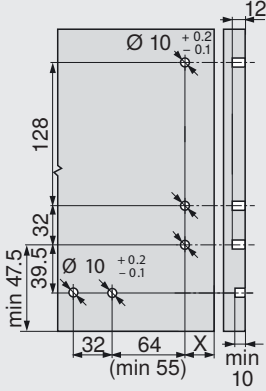
Flexible gallery fixing			
	Colour variants	SW TS RAL9006	Nickel plated
		Steel	
	ZRR.5200		

Space requirements in cabinet	Front dimensions	Back installation dimensions	Space requirements in cabinet	Front dimensions	Back installation dimensions
Free placement $Y = X - 4 \text{ mm}$ X Back height	Free placement $Z = X - 71 \text{ mm}$ X Back height FA Front overlay	Free placement $W = X - 103 \text{ mm}$ X Back height	Height D – double gallery (back fixing bracket height B)	Height D – double gallery (back fixing bracket height B) FA Front overlay	Height D – double gallery (back fixing bracket height B)
					



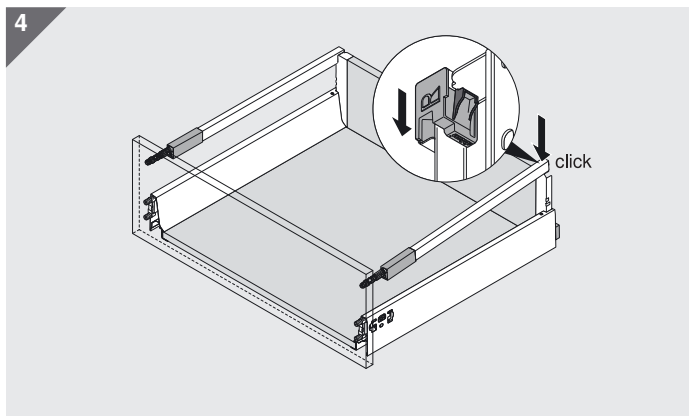
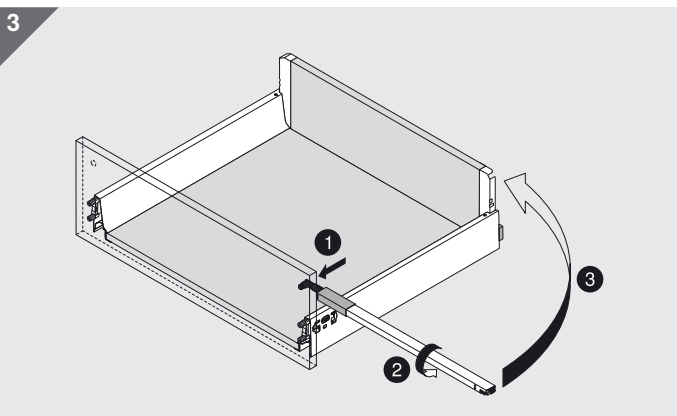
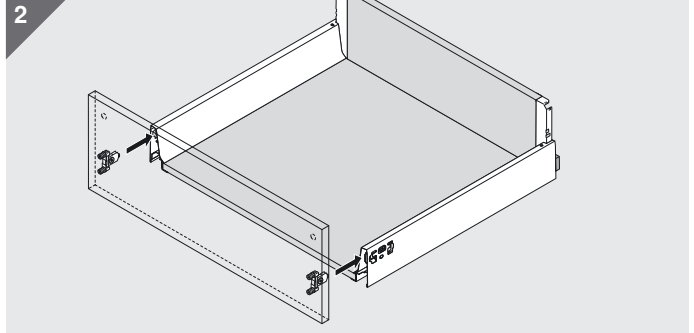
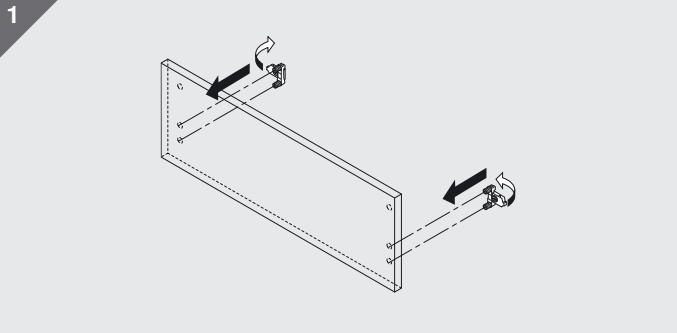
# Order specification

## Accessories – Front stabilisation

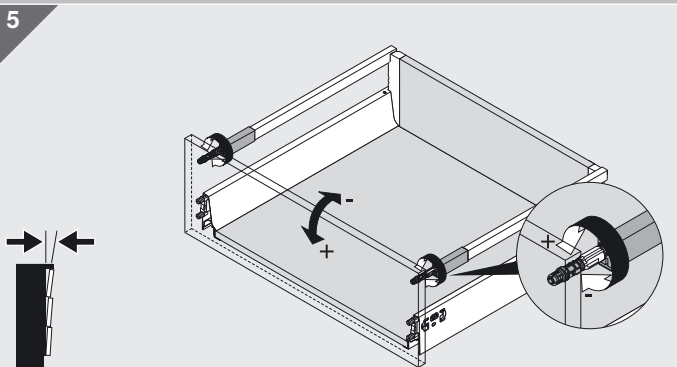
Space requirements in cabinet	Front dimensions		
			

# Assembly, removal and adjustment

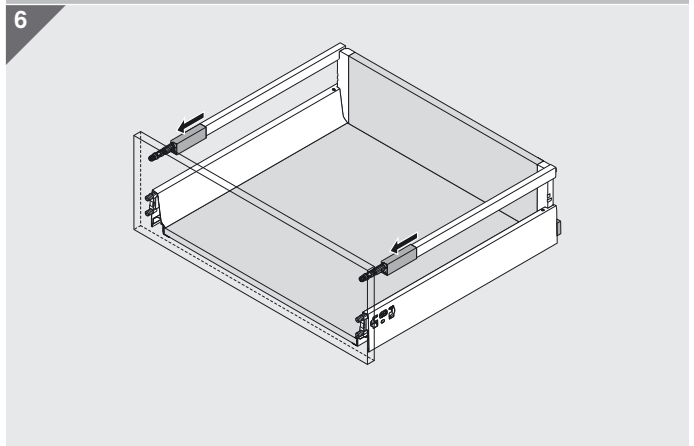
## High fronted pull-out



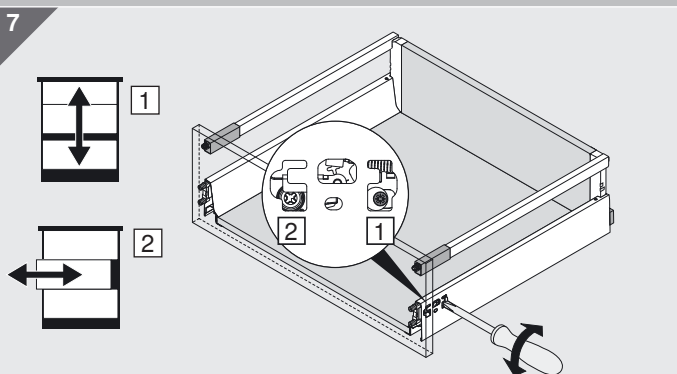
## Tilt adjustment



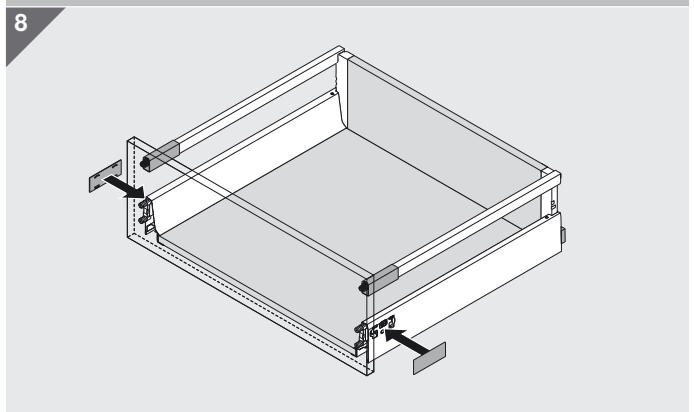
Comment: If a gallery rod is adjusted, the same adjustment must be made on all remaining rods



## Height adjustment + side adjustment



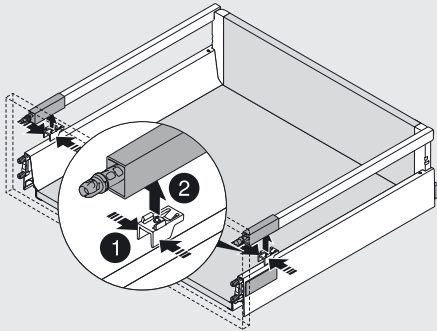
Comment: Both sides require adjustment



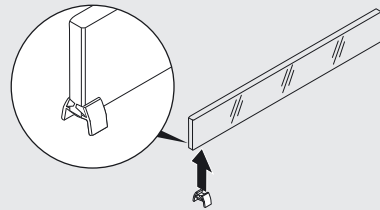
# Assembly, removal and adjustment

## Design element

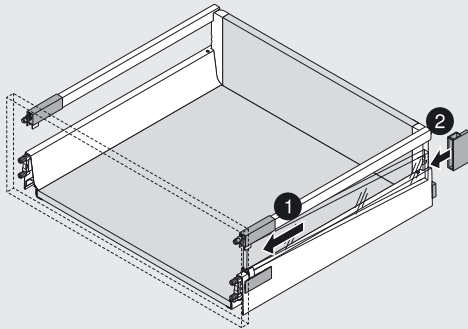
1



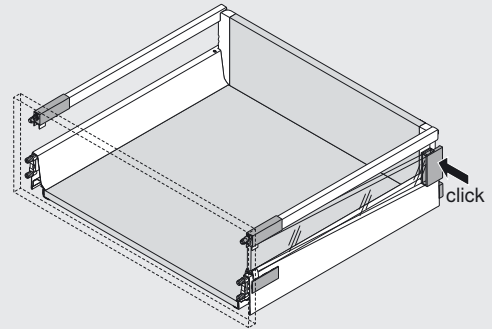
2



3

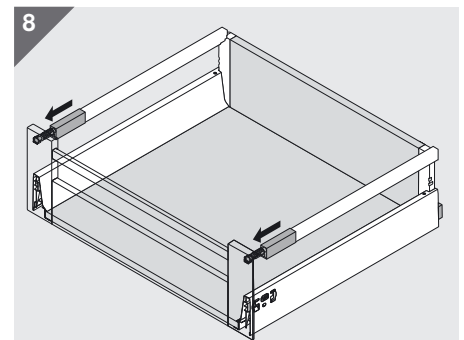
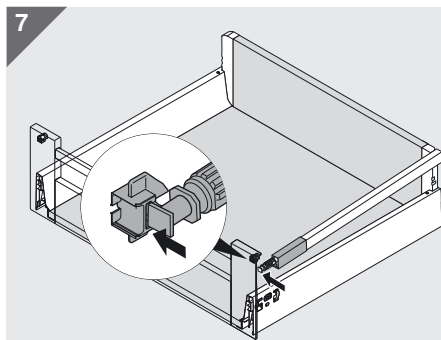
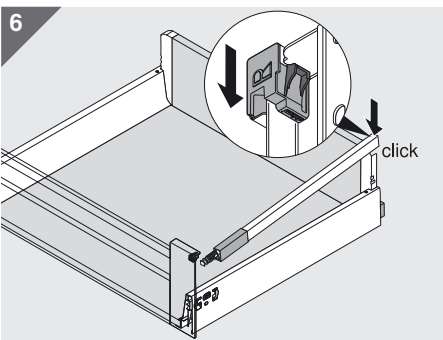
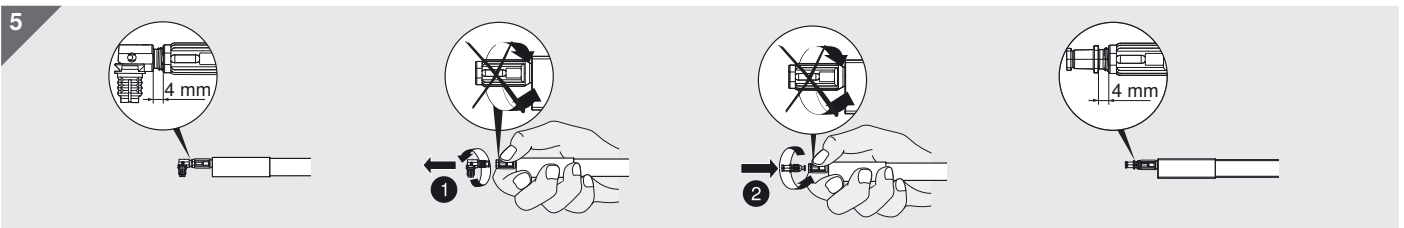
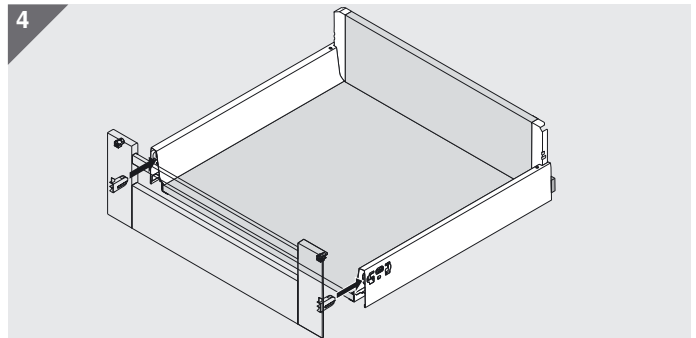
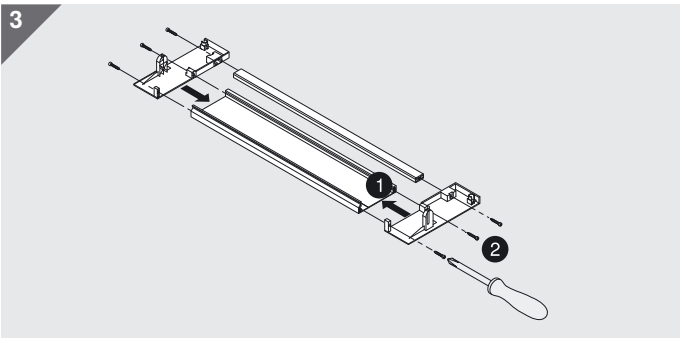
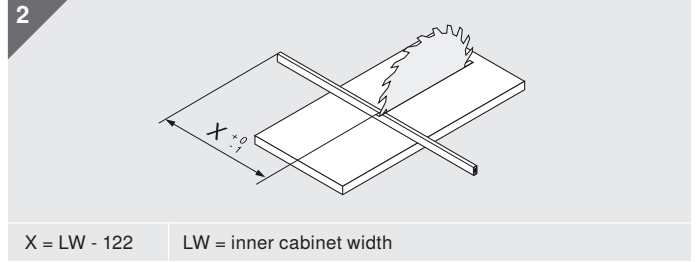
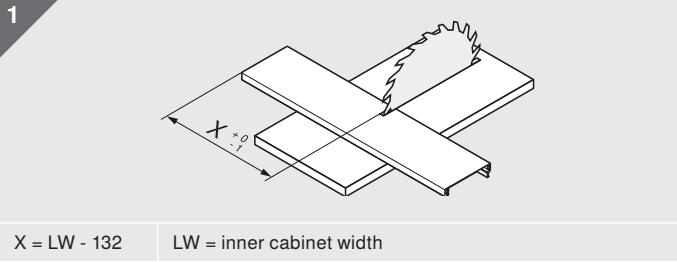


4

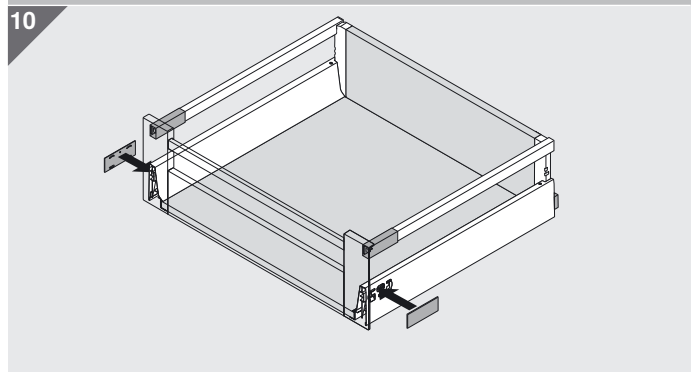
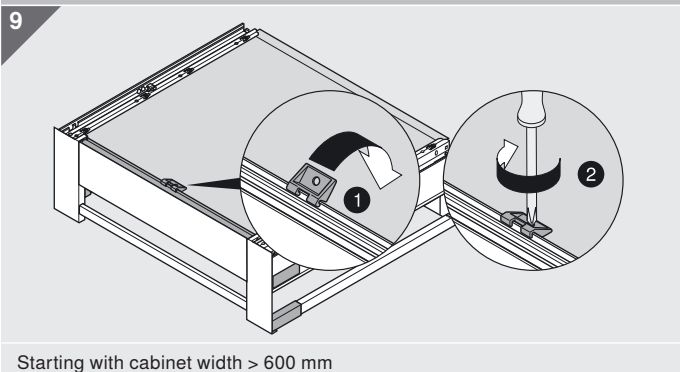


# Assembly, removal and adjustment

## Inner pull-out

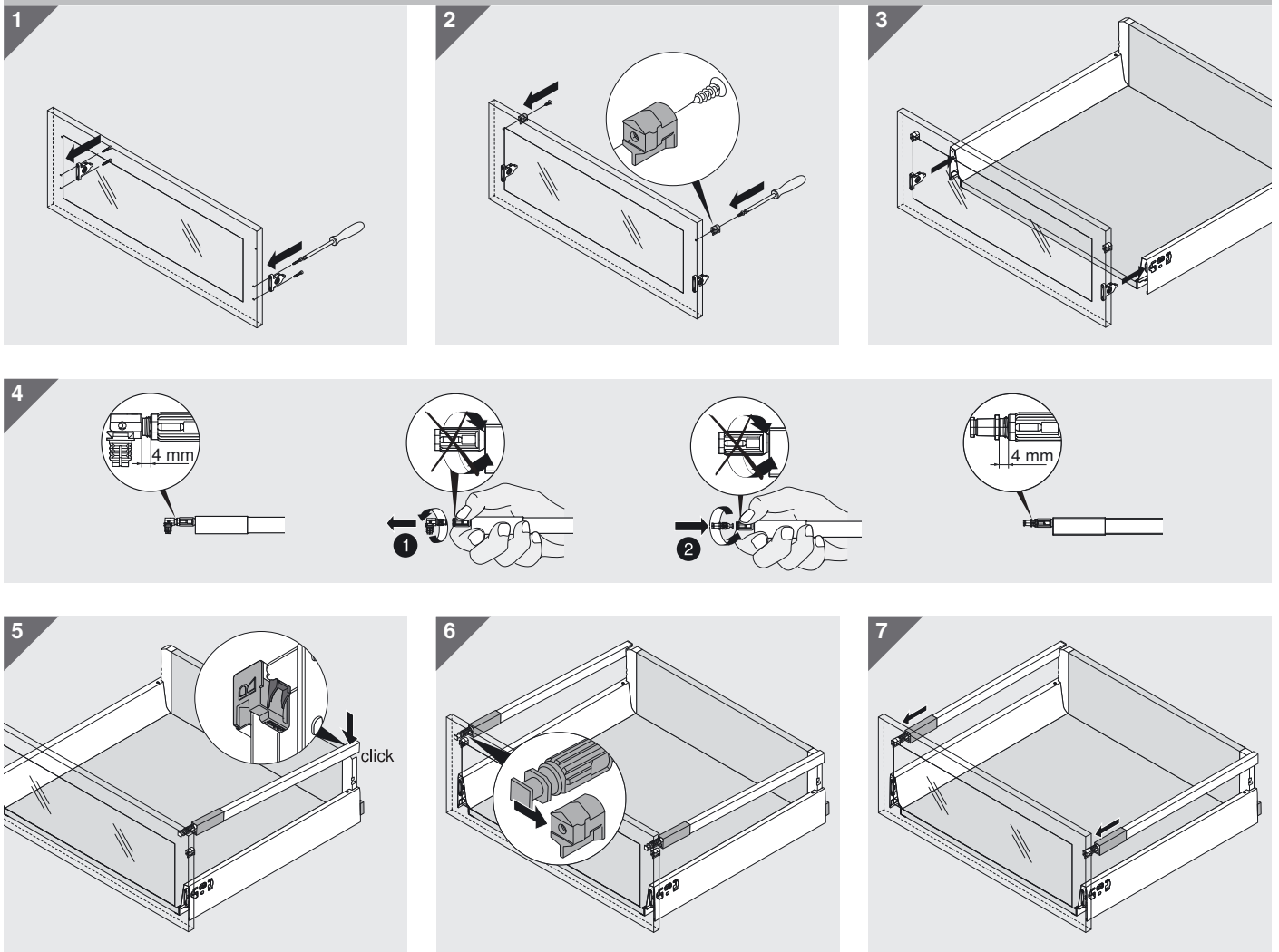


## Locking piece

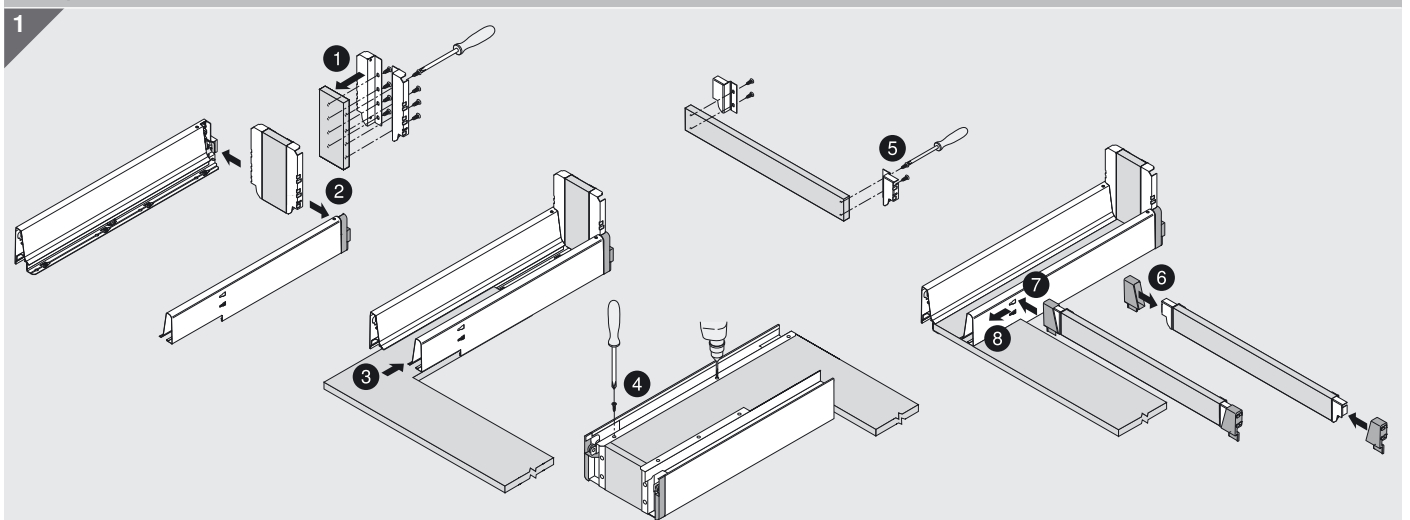


# Assembly, removal and adjustment

## Alu frame



## Sink pull-out



Gallery assembly and adjustment

64

Cover cap assembly

64

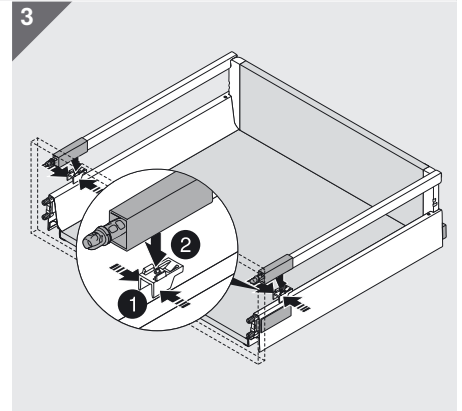
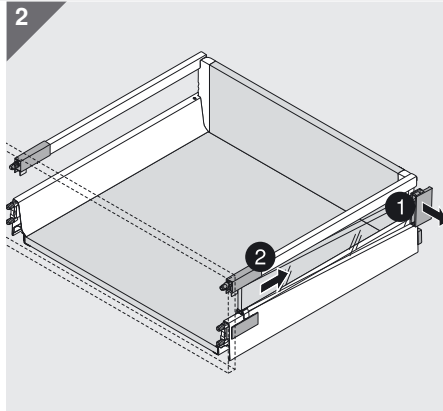
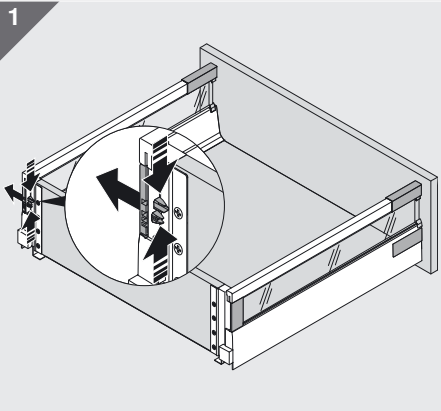
Design element assembly

65

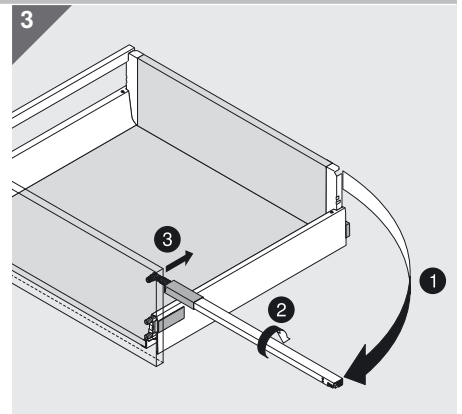
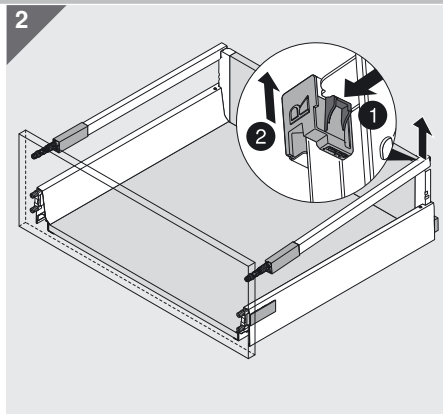
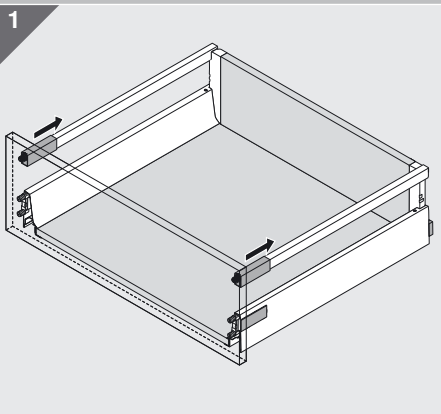


# Assembly, removal and adjustment

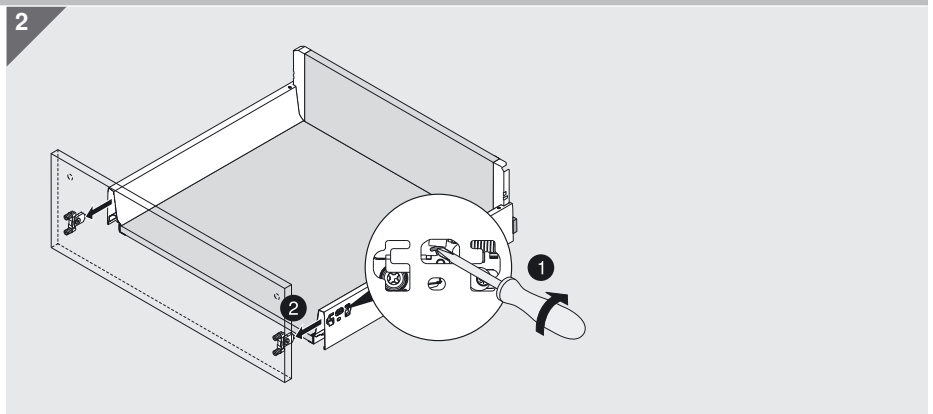
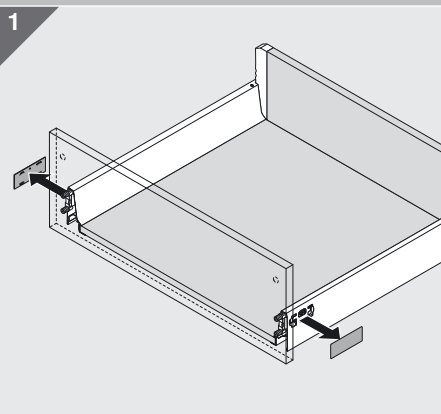
## Design element removal



## Gallery removal – high fronted pull-out

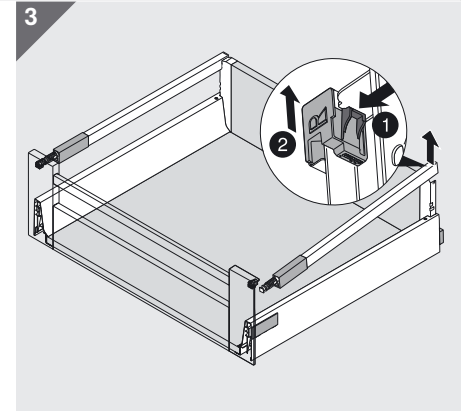
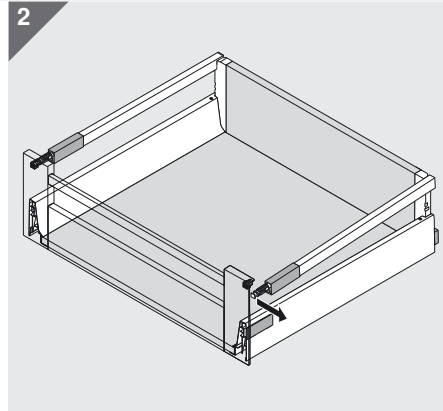
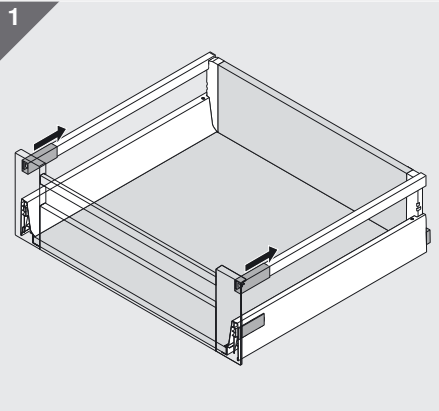


## Front removal

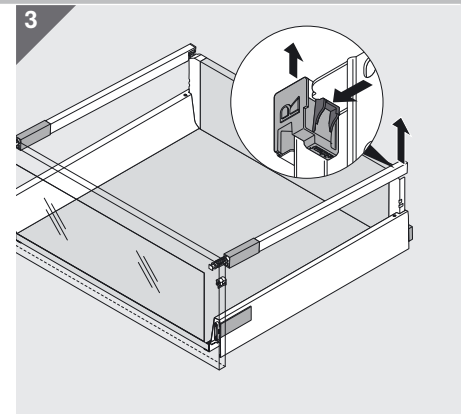
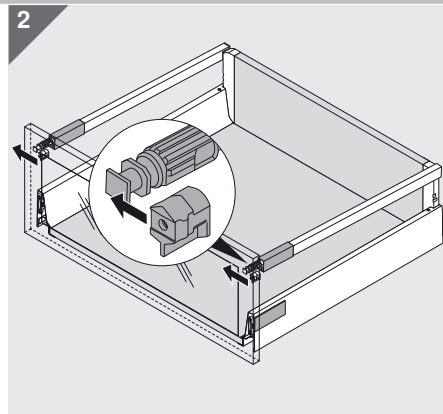
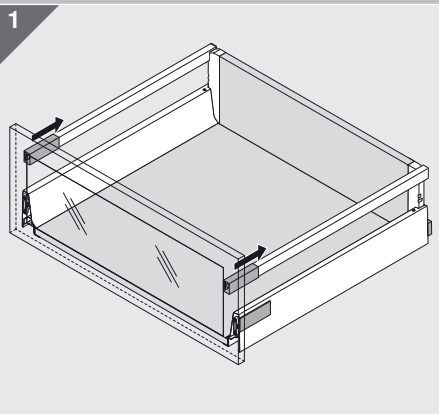


# Assembly, removal and adjustment

## Gallery removal – inner pull-out

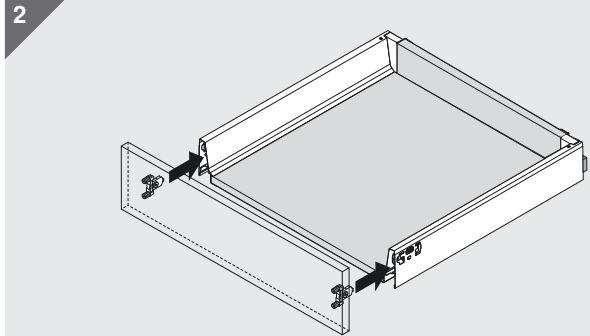
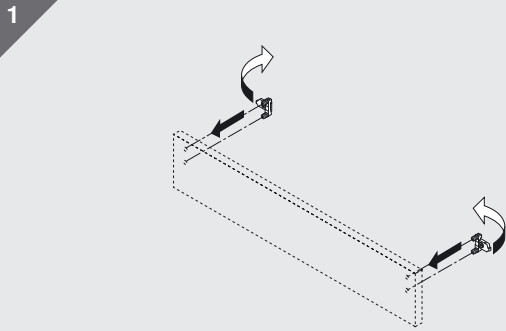


## Gallery removal – alu frame

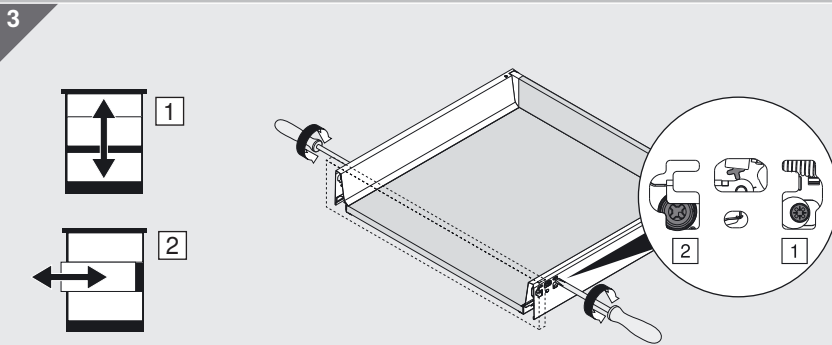


# Assembly, removal and adjustment

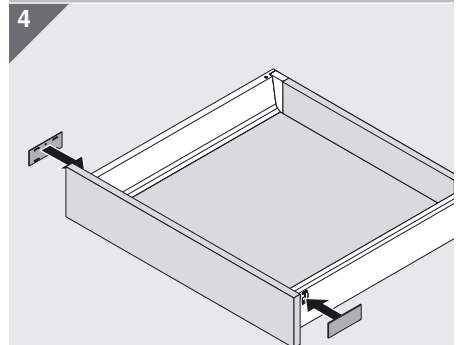
## Drawer



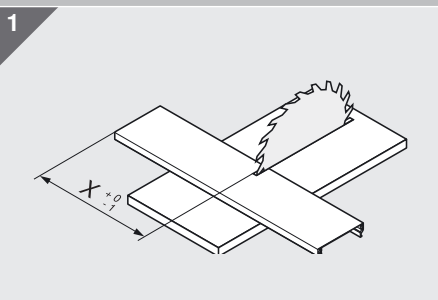
## Height adjustment + side adjustment



Comment: Both sides require adjustment

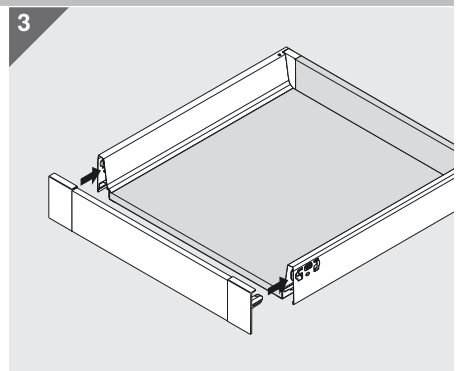
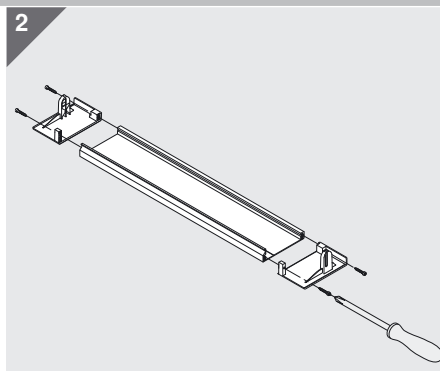


## Inner drawer

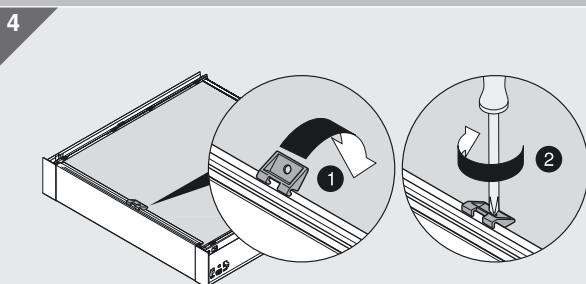


$$X = LW - 132$$

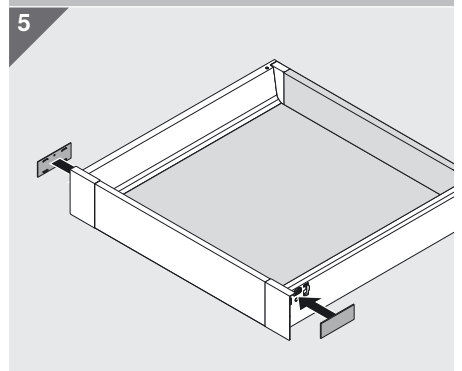
LW Inner cabinet width



## Locking piece

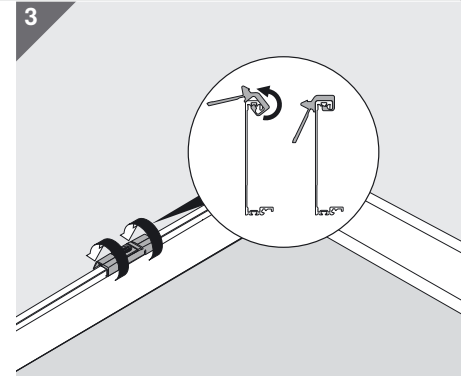
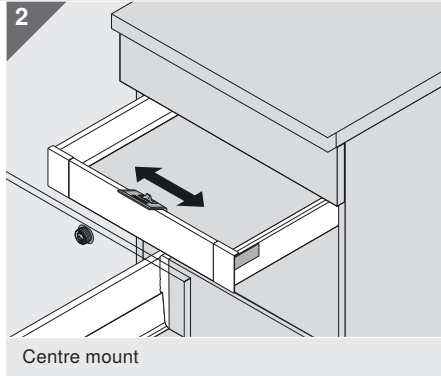
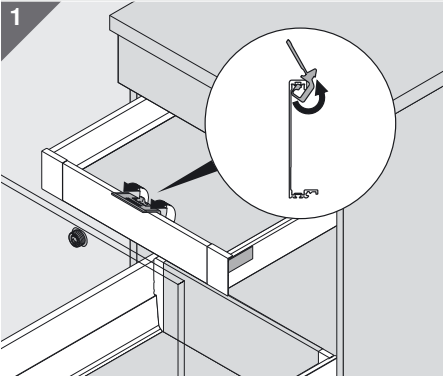


Starting with cabinet width > 600 mm

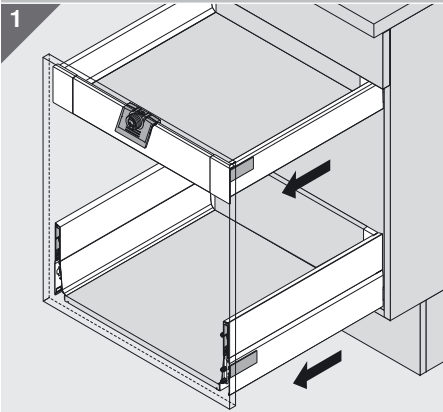


# Assembly, removal and adjustment

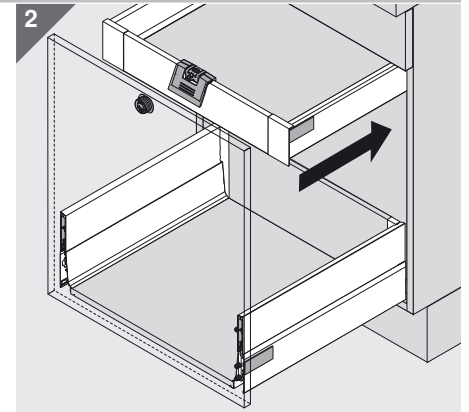
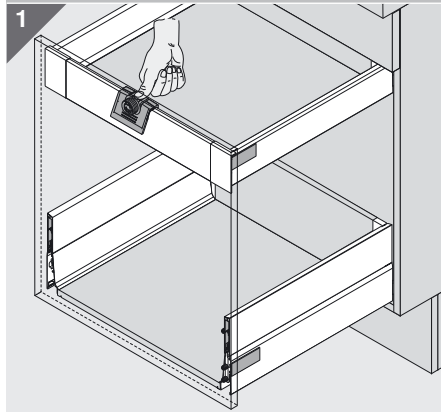
## Handle and latch



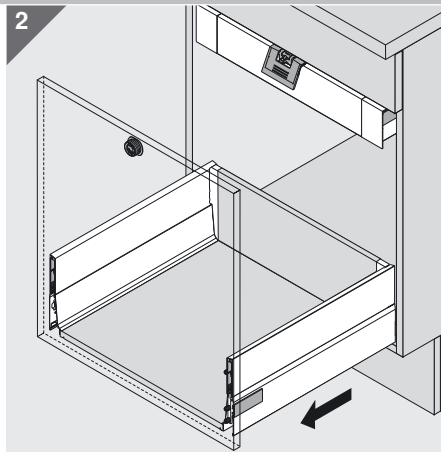
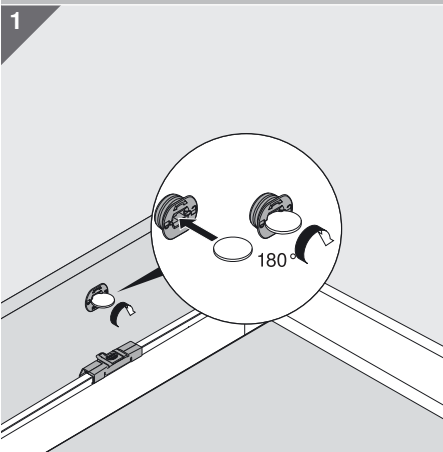
## Latch activated



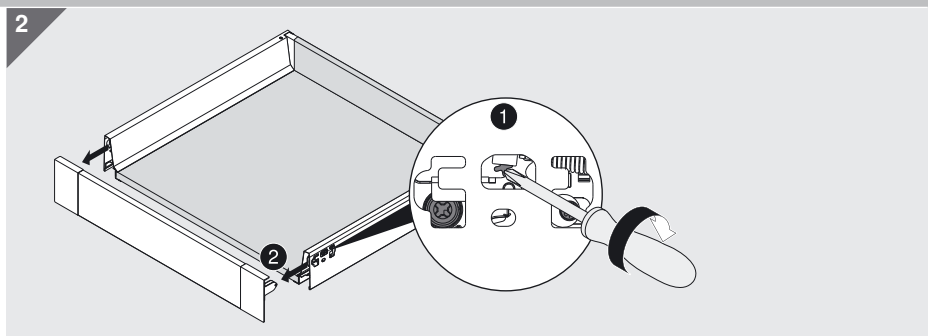
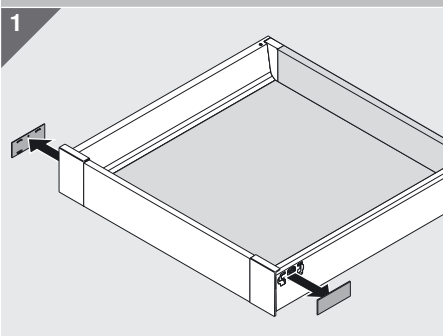
## Release



## Deactivate latch



## Front removal





**1952**



**The first product**

Studs are attached to horse-shoes to stop horses slipping.

**1958**



**Début in the furniture industry**

The ANUBA hinge is Blum's first furniture fitting.

**1964**



**Production start**

Blum produces concealed furniture hinges.

**1966**



**Roller runners**

Blum starts to produce roller runners.

**1985**



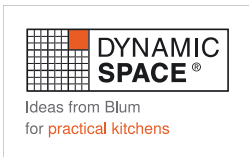
**Assembly technology**

CLIP hinges can be mounted without tools thanks to CLIP technology.



# Perfecting motion

Blum's fittings solutions are designed to make opening and closing furniture a mesmerising experience. That's why we make every effort to perfect the motion of our lift, hinge, box and runner systems.



### DYNAMIC SPACE

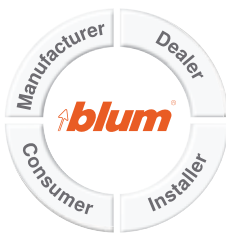
Blum products help to optimise workflows, gain storage space and offer a high level of comfort – making kitchens more practical.

### Blum in Austria and around the world

Over 5000 employees support us on our quest for perfect motion. Our fittings are manufactured at ten plants. Seven are in Austria, the remaining are in the USA, Brazil and Poland. Thanks to international subsidiaries and sales agencies, Blum is on site to serve its customers all over the world.

### Global customer benefits

From furniture manufacturer to user: Each should profit from the advantages of Blum products.



### Top quality

Blum products have been developed for everyday kitchen use and are a pleasure to use a furniture lifetime.



### innovations

We want our fittings solutions to be innovative and make everyday kitchen use easier. That's why our developments are based on findings from requirements research and input from our customers.

### Environment

Blum strives to minimise its environmental impact. We use environmentally-friendly processes, use raw materials intelligently and save energy wherever we can.



1987



#### Box systems

Blum's first box system goes into production with METABOX.

2001



#### Soft-close system

BLUMOTION ensures that furniture closes softly and effortlessly.

2005



#### Lift systems

AVENTOS lift systems are presented for the first time

2007



#### Electrical opening support

SERVO-DRIVE has received numerous awards for design and function.

2011



#### Runner systems

With MOVENTO, a new generation of runner systems was born.

 **larkandlarks.co.uk**  
online kitchen & bedroom store  
See website for details. Help line: 0845 017 6480

