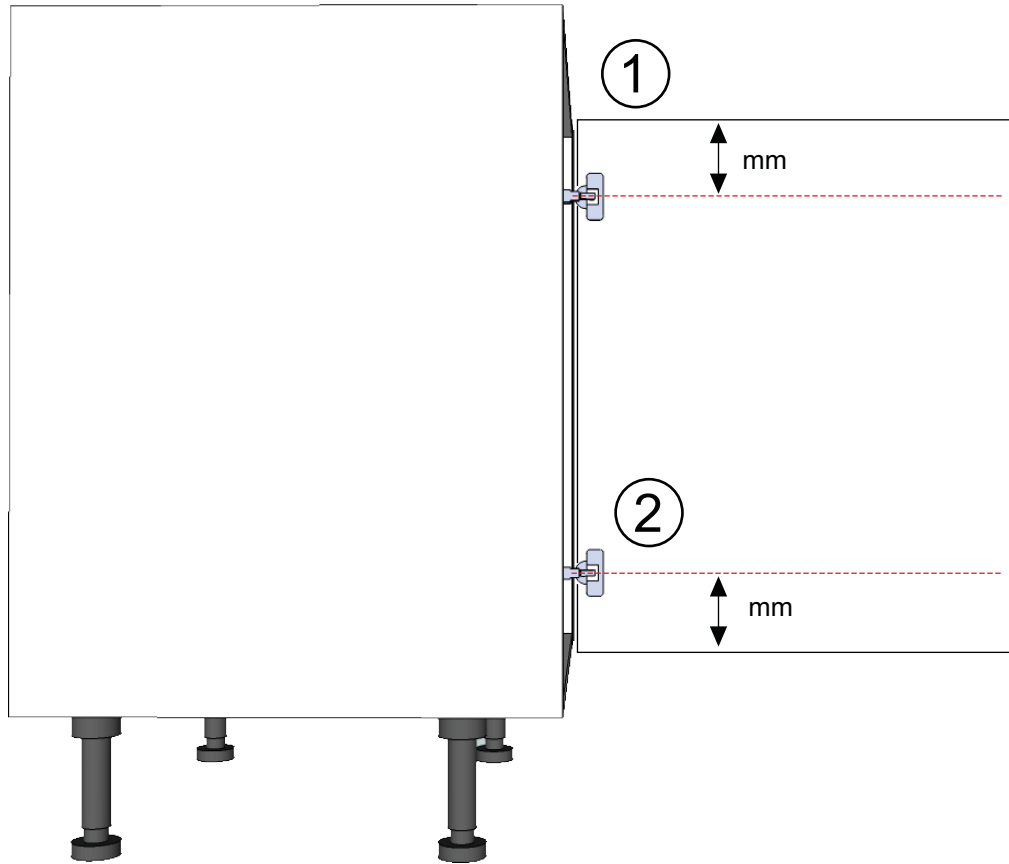


Measuring for Hinge Holes

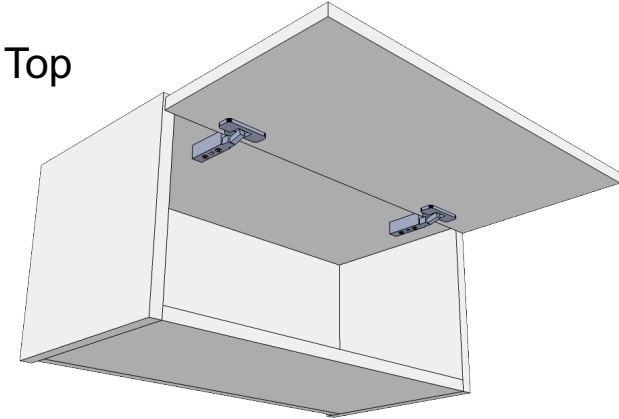
1. Measure from the top of the door to the centre of the top hole.
2. Measure from the bottom of the door to the centre of the lower hole.
3. Find whether you need a Top (a), Left (b), or Right (c) hinged door.
(Shut the door and choose the side the hinges are on)



Note: The unit will be taller than the door, therefore the measurements need to be to the top/bottom of the door rather than the top/bottom of the unit.

③

(a) Top



(b) Left

(c) Right

