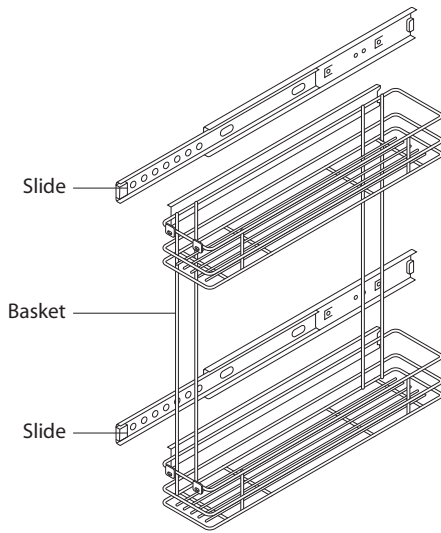


150mm CC150 FRONT PULL-OUT UNIT

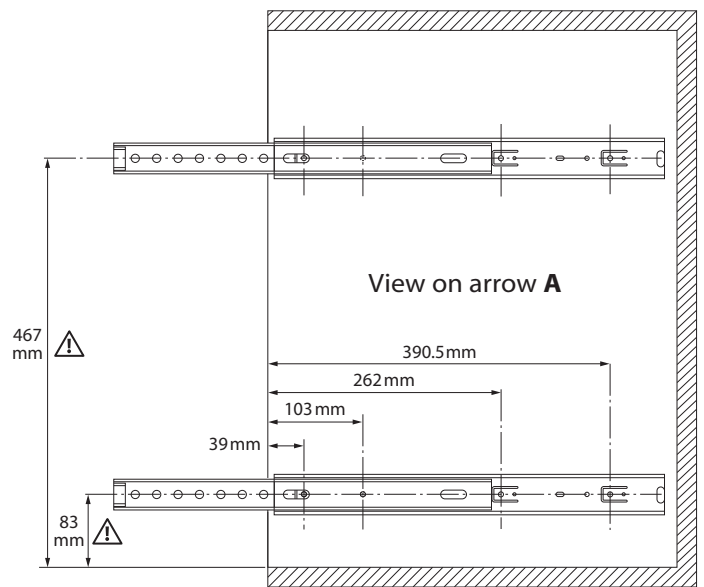
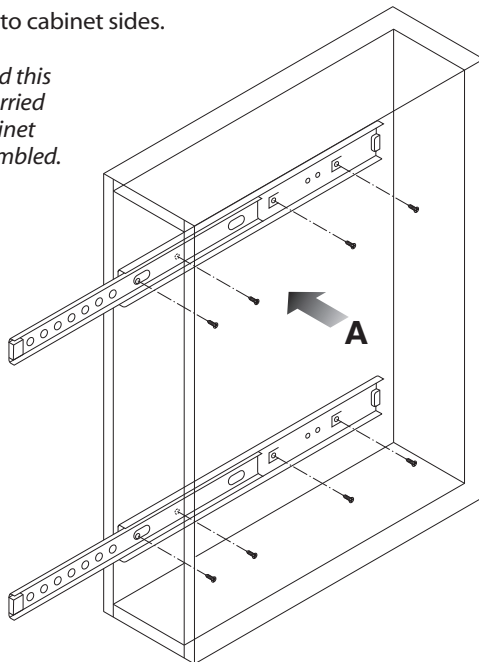
Fitting instructions



IMPORTANT - The unit has a loading limit of 20kg.

1 Fit slides to cabinet sides.

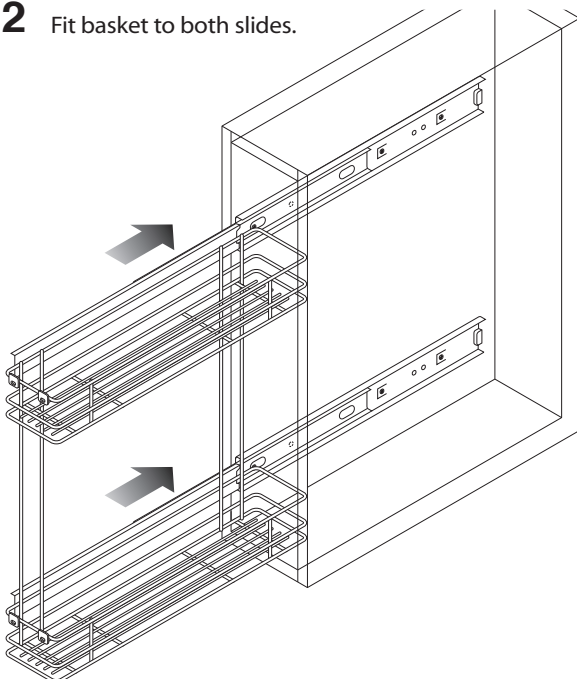
We recommend this operation is carried out before cabinet carcass is assembled.



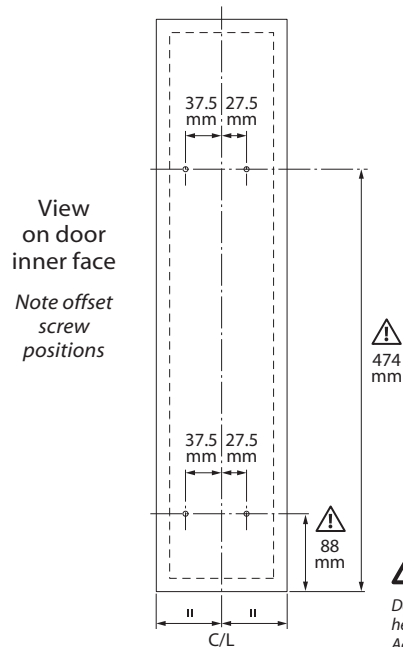
IMPORTANT:

Dimensions are based upon a 18mm thick carcass. For other carcass thickness, adjust accordingly.

2 Fit basket to both slides.



3 Fit door to basket.



474 mm

88 mm



IMPORTANT:

Door dimensions and fitting heights can vary. Adjust accordingly.